

# LINK

## UNDER desk power module



Link is an ideal solution designed to seamlessly integrate into any environment. Link is the perfect addition to your workspace, whether it's a bustling headquarters or a cosy small office.

Link may be specified with the full range of interchangeable multimedia connections, fast chargers and country-specific AC power sockets compliant with the relevant international standards.

ABL's Link may also include RCDs, RCBOs or surge protection depending on business requirements.



### AVAILABLE SOCKET TYPES:



E TYPE F TYPE G TYPE USB CHARGER

### AVAILABLE MEDIA CONNECTIONS:



DATA USB HDMI VGA AUDIO



FASCIAS & END CAPS



BODY



## USP

- CERTIFIED IEC 60884-1:2002 + A1:2006, AND IEC 60884-2-7:2011 + A1:2013 (EUROPE), COMPLIES WITH BS 5733
- INTEGRATED 3 POLE CONNECTOR ENABLES DAISY CHAINING WITH OTHER COMPATIBLE PRODUCTS
- AVAILABLE WITH A CHOICE OF COUNTRY-SPECIFIC AC POWER SOCKETS
- AVAILABLE WITH 35W USB A+C CHARGER (PD & QC)
- AVAILABLE WITH THE INTERCHANGEABLE MULTIMEDIA PLATE (IMP)
- AVAILABLE IN BLACK OR WHITE WITH A BLACK OR SILVER ALUMINIUM PROFILE AS A STANDARD
- EASILY INSTALLED. FITS PERFECTLY INTO CONFERENCE TOP ACCESS, WIRE BASKET, OR EASILY SECURED UNDER THE DESK AREA

### APPROVALS & CERTIFICATES:



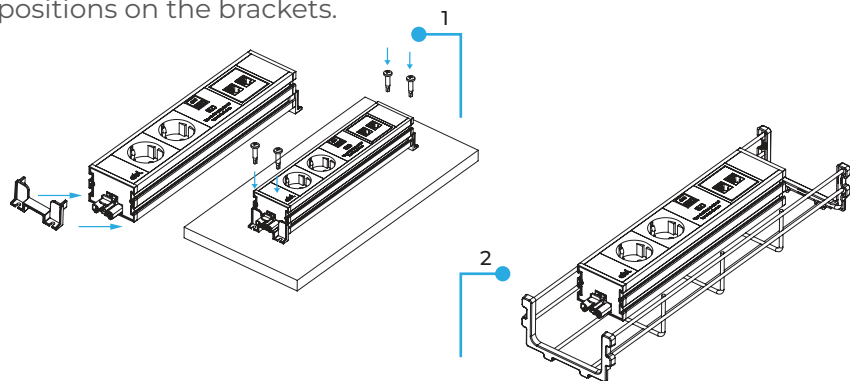


## INSTALLATION

### OPTION 1 - FIX THE MODULE ONTO A FLAT SURFACE

Slide the brackets into the profile indents.

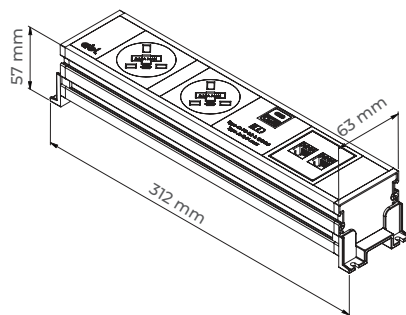
Attach using the provided screws according to the designated positions on the brackets.



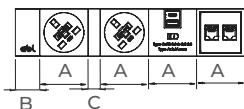
### OPTION 2 - FIX THE MODULE INTO A WIRE BASKET

Simply place the module into the wire basket.

## STANDARD DIMENSIONS



Legend:



**Note:** All sockets, except UK and Universal type, are manufactured without half blank plate (C). The module length depends on the required configuration and socket type.

A = 53,2 mm, B = 26,6 mm, C = 13,3 mm

## TECHNICAL

### Configuration:

Power / Multimedia / USB A+C chargers (PD & QC) / Combined Power and Multimedia in combined units are separated internally

**Earthing:** Fully earthed

**Fusing:** (UK sockets only to enable compliance to BS6396) 5mm x 20mm ceramic fuses, with appropriate marking indicating the rating (3.15A/5A). All sockets feature integral, spare fuses patented by ABL. Choice of up to four sockets with 5A fuse, and up to six sockets with 3.15A to comply with BS6396.

**Soft Wiring:** Power wired to 3 Pole connector allows power cables to be changed to suit requirements, which is especially useful during moves and changes.

**Testing:** 100% testing - continuity, polarity & earth  
Testing of the USB A+C chargers: Output voltages, current and power in all types of charging standard.

All Link power modules are fully manufactured in-house using ISO 9001:2015 quality-controlled practices.

ABL's power modules are tested in accredited laboratories of certification houses twice a year; while in-house quality control testing of each product is completed on every single power module before it leaves the factory.

**IMP System:** Link power modules are compatible with ABL's Interchangeable Multimedia Plate (IMP) System. Provided with a slot/s, keystone couplers with data and/or media connections can be changed "on-site" depending on business requirements.