

# LEVEL-E

## IN desk power module



The ideal choice for power and data distribution in offices, meeting rooms, boardrooms and amphitheatres, designed to promote effortless workspace productivity and comfort.

Level-E power modules may be specified with the full range of interchangeable multimedia connections, fast chargers and country-specific AC power sockets compliant with the relevant international standards.

The modular parts may be black or white with a silver profile.



### AVAILABLE SOCKET TYPES:



E TYPE F TYPE G TYPE USB CHARGER

### AVAILABLE MEDIA CONNECTIONS:



DATA USB HDMI VGA AUDIO

## USP

- CERTIFIED WITH THE BSI KITEMARK KM 686563 (UK), IEC 60884-1:2002 + A1:2006 AND IEC 60884-2-7:2011 + A1:2013 (EUROPE)
- AVAILABLE WITH A CHOICE OF COUNTRY-SPECIFIC AC POWER SOCKETS
- AVAILABLE WITH 35W USB A+C CHARGER (PD & QC)
- AVAILABLE WITH THE INTERCHANGEABLE MULTIMEDIA PLATE (IMP) SYSTEM
- THE LEVEL IS FLUSH TO THE SURFACE
- DESIGNED FOR DESK THICKNESS OF 10 MM MIN
- POSSIBILITY OF PANEL INSTALLATION 10-20 MM THICKNESS

### APPROVALS & CERTIFICATES:



FASCIAS & END CAPS



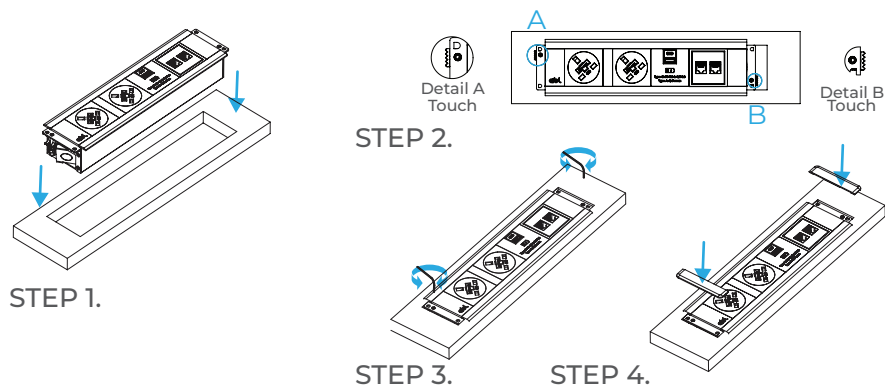
BODY



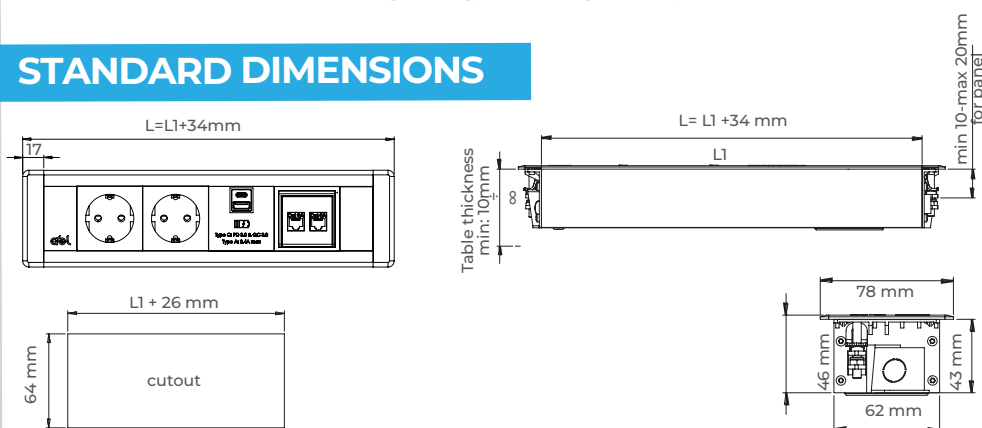


## INSTALLATION

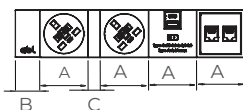
- STEP 1. Place the module into the table cutout.  
 STEP 2. Make sure the module is placed straight and evenly spaced.  
 STEP 3. Use Allen Key slightly until the clamps touch the table desktop only.  
 STEP 4. Gently turn the Allen Key 180° clockwise on both sides of the power module.  
 STEP 5. Place provided covers on top of the power module sides.



## STANDARD DIMENSIONS



### Legend:



**Note:** All sockets, except UK and Universal type, are manufactured without half blank plate (C). The module length depends on the required configuration and socket type.

A = 53,2 mm, B = 26,6 mm, C = 13,3 mm

## TECHNICAL

### Configuration:

Power / Multimedia / USB A+C chargers (PD & QC) / Combined  
 Power and Multimedia in combined units are separated internally

### Earthing: Fully earthed

**Fusing:** (UK sockets only to enable compliance to BS6396) 5mm x 20mm ceramic fuses, with appropriate marking indicating the rating (3.15A/5A). All sockets feature integral, spare fuses patented by ABL. Choice of up to four sockets with 5A fuse, and up to six sockets with 3.15A to comply with BS6396.

**Power cord:** 0.5m standard lead with 3 Pole connector allows mains or connector leads to be changed to suit requirements, especially useful during moves and changes. Optionally available hardwired cable with appropriate national mains plugs.

### Testing: 100% testing - continuity, polarity & earth

Testing of the USB A+C chargers: Output voltages, current, and power in all types of charging standards.

All Level power modules are fully manufactured in-house using ISO 9001:2015 quality-controlled practices.

Our power modules are tested in accredited laboratories of certification houses twice a year; while in-house quality control testing of each product is completed on every single power module before it leaves the factory.