

FLEXI

ON desk power module



A complete on-desk solution that suits the most demanding project requirements no matter what desk surface, so the workspace will never be short of safe and easily accessible power and charging facilities.

Effortless installation provided with integrated metal clamps, with black or white side caps to match the module's colour.

Flexi may be specified with the full range of interchangeable multimedia connections, fast chargers and country-specific AC power sockets compliant with the relevant international standards.



AVAILABLE SOCKET TYPES:



E TYPE F TYPE G TYPE USB CHARGER

AVAILABLE MEDIA CONNECTIONS:



DATA USB HDMI VGA AUDIO

USP

- CERTIFIED WITH IEC 60884-1:2002 + A1:2006 AND IEC 60884-2-7:2011 + A1:2013 (EUROPE), COMPLIES WITH BS5733 (UK)
- THE MODULE USES ELEGANT, METAL CLAMPS THAT CAN BE EASILY INSTALLED UNDER THE DESK
- DESIGNED TO FIT DESK THICKNESS BETWEEN 15 AND 40MM
- AVAILABLE WITH 35W USB A+C CHARGER (PD & QC)
- AVAILABLE WITH A CHOICE OF COUNTRY-SPECIFIC AC POWER SOCKETS
- AVAILABLE WITH THE INTERCHANGEABLE MULTIMEDIA PLATE (IMP) SYSTEM

APPROVALS & CERTIFICATES:



FASCIAS & END CAPS



BODY

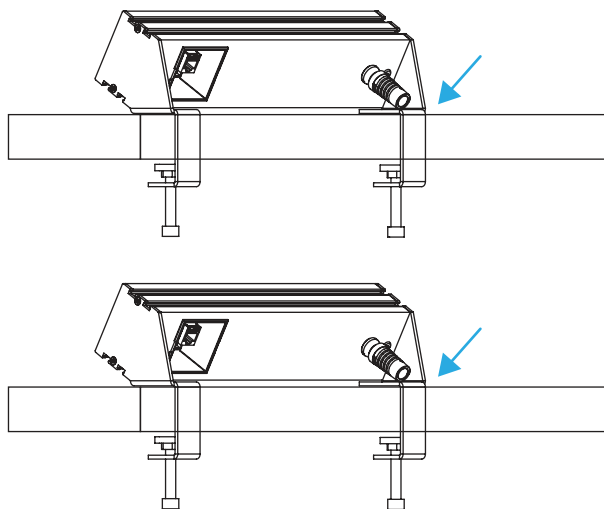




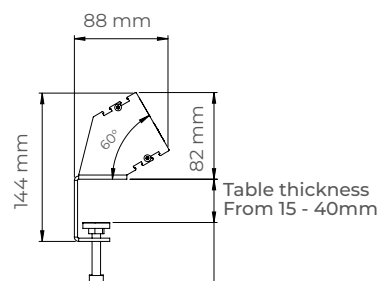
INSTALLATION

STEP 1 - Place the module onto the edge of the desk

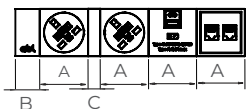
STEP 2 - Use Allen Key to fix the module onto the desk



STANDARD DIMENSIONS

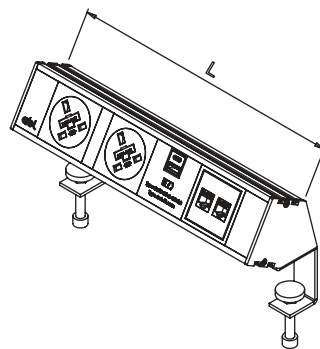


Legend:



Note: All sockets, except UK and Universal type, are manufactured without half blank plate (C). The module length depends on the required configuration and socket type.

A = 53,2 mm, B = 26,6 mm, C = 13,3 mm



TECHNICAL

Configuration:

Power / Multimedia / USB A+C chargers (PD & QC) / Combined Power and Multimedia in combined units are separated internally

Earthing: Fully earthed

Fusing: (UK sockets only to enable compliance to BS6396) 5mm x 20mm ceramic fuses, with appropriate marking indicating the rating (3.15A/5A). All sockets feature integral, spare fuses patented by ABL. Choice of up to four sockets with 5A fuse, and up to six sockets with 3.15A to comply with BS6396.

Power cord: 0.5m standard lead with 3 Pole connector allows mains or connector leads to be changed to suit requirements, especially useful during moves and changes. Optionally available hardwired cable with appropriate national mains plugs.

Testing: 100% testing - continuity, polarity & earth

Testing of the USB A+C chargers: Output voltages, current, and power in all types of charging standard.

All Flexi power modules are fully manufactured in-house using ISO 9001:2015 quality-controlled practices.

Our power modules are tested in accredited laboratories of certification houses twice a year; while in-house quality control of each product is done individually before it leaves the factory.