



Scan to see website

T-REC5-U32/FF, T-REC5-HDMI Quick Start Guide

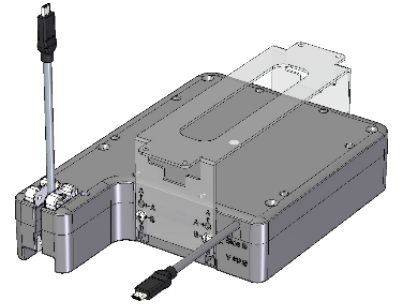
This guide helps you install and use your T-REC5-U32/FF, T-REC5-HDMI for the first time.

Go to www.kramerav.com/downloads/T-REC5, to download the latest user manual and check if firmware upgrades are available.

Step 1: Check What's in the Box

i The color of the sheet metal box, locking device, and magnet frame are supplied in the same color as selected for the TBUS.

- ✓ T-REC5 Cable Retractor HDMI or USB C F/F (dependent on ordered product)
- ✓ Metal bracket for horizontal placements
- ✓ 4 M5x10mm screws



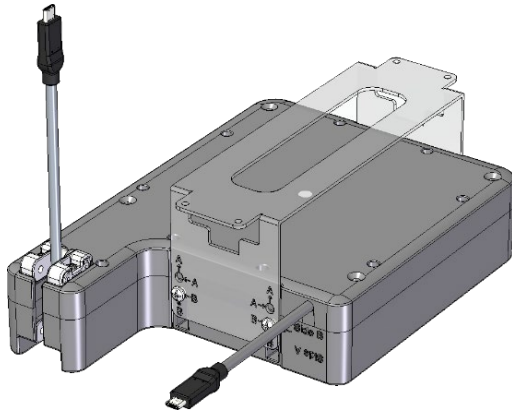
Step 2: Prepare the Installation Environment

Use this procedure to mount the T-REC5 with the following Kramer TBUS series: T-IN-REC1; T-IN-REC2; T-IN-RND1; T-IN-RND2. Before mounting the T-REC5 next to the TBUS, you need to mount the TBUS into the table, slide all modules.

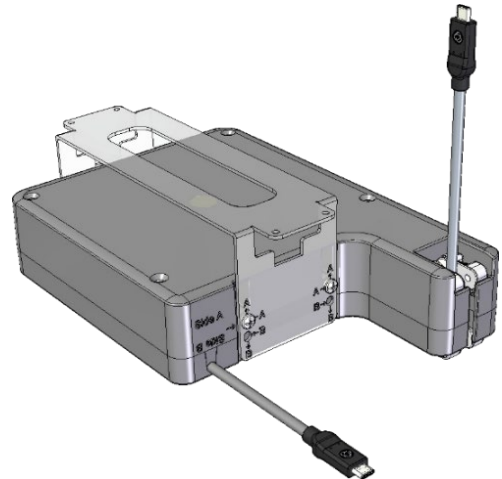
i At least 1 MCP-1 or MCP-2 module is required. The T-REC5 can be positioned in 2 ways - Side-A up or side-B up. Refer to Step 4: Multiple Retractors.

1. Choose which side to position.
2. Connect the bracket according to the graphic marks – Each side has its own marked holes.

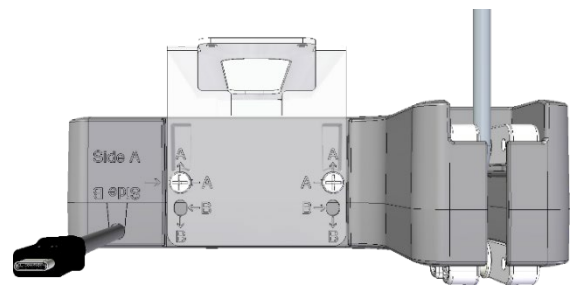
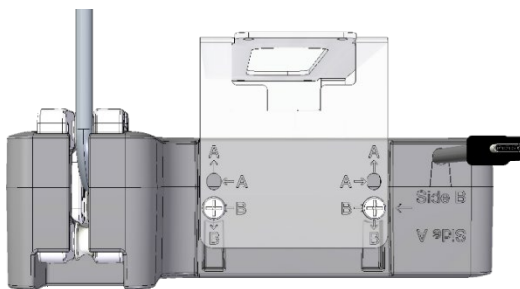
Side A Up



Side B Up

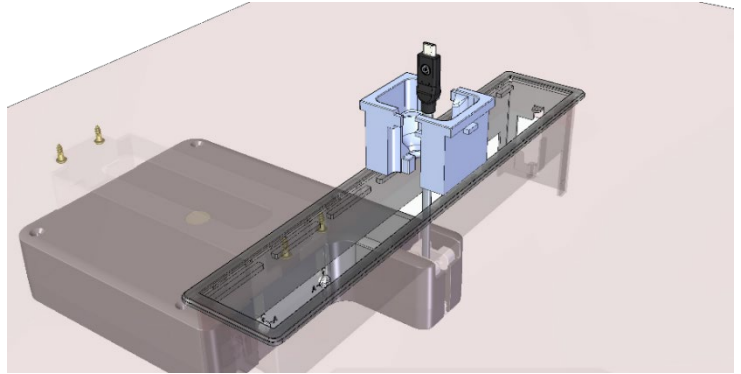


i T-Rec5 is designed to be installed horizontally. It is possible to install vertically as well; Metal bracket for vertical placement must be ordered separately.

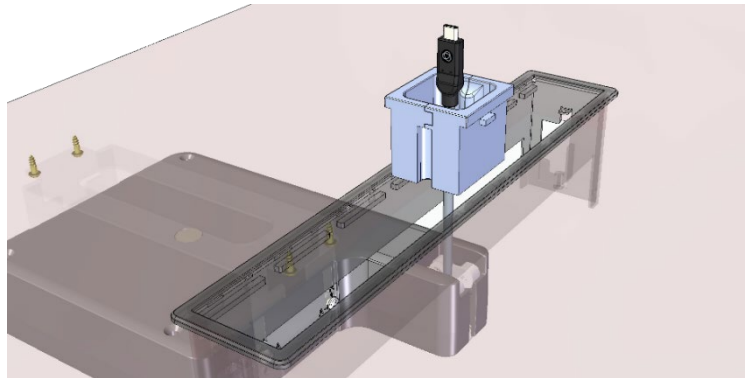


Step 2.1 Retractor Cable Pass-Through for T-IN-REC1 and T-IN-REC2 Series

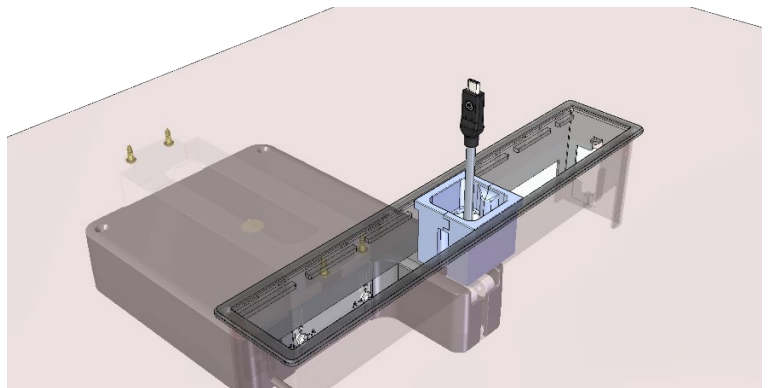
1. Pull out about 1 meter / 3 ft cable from the retractor and place the retractor under the table.



2. Remove the MCP-1 from the TBUS frame and separate its two parts.



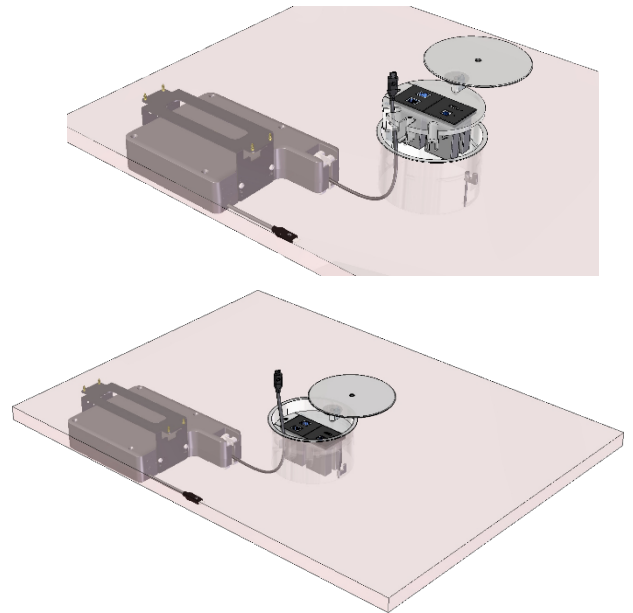
3. Pass the cable through the TBUS frame from under the table and lock the cable head with the MCP-1 two parts.



4. Slide the MCP-1 into its position and lock the TBUS modules using the locking device.

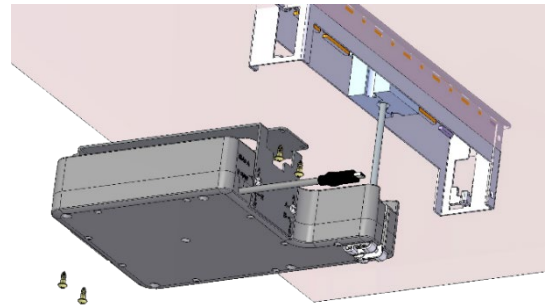
Step 2.2 Retractor Cable Pass-Through for T-IN-RND1 and T-IN-RND2 Series

1. Pull out about 1 meter / 3 ft cable from the retractor and place the retractor under the table.
2. Pass the cable through the TBUS frame from under the table and slide in one of the pass-through holes.
3. Place and lock the round inner frame into its position.



Step 3: Place T-REC5 in its Horizontal (recommended) Position

1. Place cable exit to be centered exactly below MCP-1 hole.
 - If using MCP-2 – center cable under one of the holes.
 - MCP-2 supports 1 retractor only.
2. Attach T-REC5 to table surface using four screws.
 - Make sure the screws are not too long so they don't extend the surface when they are drilled into the interior.
3. Retract cable TBUS to assure its performance.



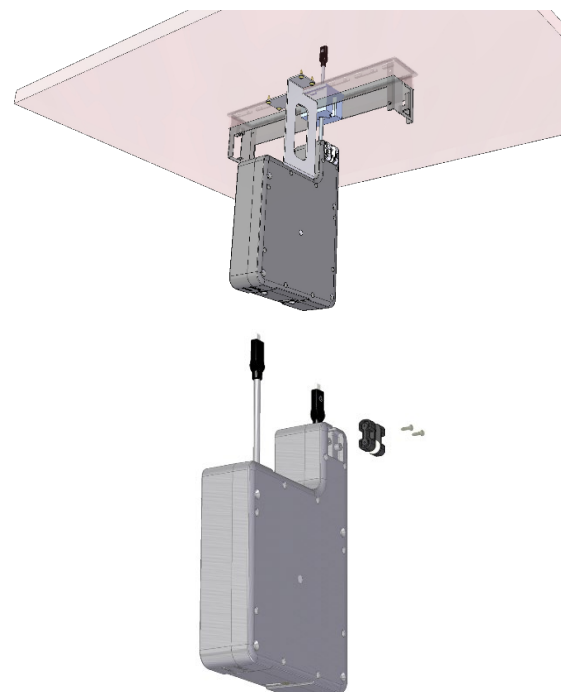
Step 3.1 Place T-REC5 in its Vertical Position

- i** T-REC5 is designed to be installed horizontally. If requested, make sure to use the vertical bracket.

1. Place cable exit to be centered exactly below MCP-1 hole.
 - If using MCP-2 – center cable under one of the holes.
 - MCP-2 supports 1 retractor only.
2. Attach T-REC5 to table surface using four screws.
 - Make sure the screws are not too long so they don't extend the surface when they are drilled into the interior.
3. Is the retractor being positioned next to large modules?

Yes	No
Remove the additional pulley as shown in the figure to the right and continue to Step 4.	Continue to Step 4.

4. Retract cable TBUS to assure its performance.



Step 4: Multiple retractors

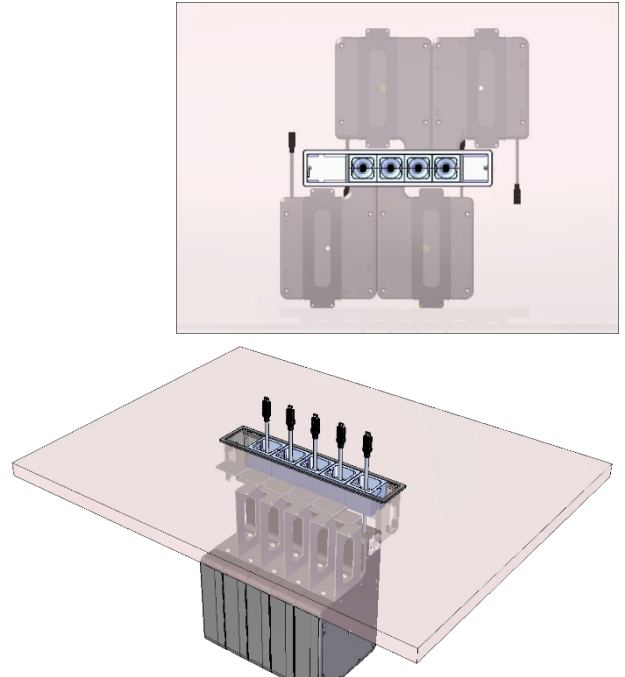
Side-A up, or mirrored: side-B up

When using two retractors next to each other, the retractors need to be positioned mirrored to each other

Do not position a retractor on the most far side from the M-LOCK

Max. number of horizontal T-REC5's allowed of used in TBUS's

Product	Max. number of Horizontal retractors allowed (recommended)	Max. number of Vertical retractors allowed
T-IN2-REC1	1	2
T-IN4-REC1	3	4
T-IN6-REC1	4	6
T-IN2-REC2	1	2
T-IN4-REC2	2	4
T-IN6-REC2	3	6
T-IN1-RND1	2	2
T-IN2-RND1	2	2
T-IN1-RND2	2	2
T-IN2-RND2	2	2



Step 5: Product Specifications

Model	P/N	Description	Size & Weight		Specs
			Product	Weight	
T-REC-5-HDMI	80-000368	Table Retractor type 5 for HDMI cable 170cm length; 35cm tail	Product	255 x 175 x 50mm (10 " x 6.9" x 1.96")	HDMI A male to HDMI A male, 48 Gbps, 28 AWG round wire, black. 3m - Pull out 170cm length; 35cm tail
			Weight	0.995 KG 0.22 Lb.	
			Package	285 x 205 x 63mm (11.22 " x 8.07" x 2.48")	
			Package Weight	Retractor + Bracket – 1.7 KG 3.74 Lb.	
-REC5-U32/FF	80-000369	Table Retractor type 5 for USBC 3.2/FF - 4K@60 (4:4:4); 10Gbps; 100W power charging	Product	255 x 175 x 50mm (10 " x 6.9" x 1.96")	USB-C male to USB-C male, USB 3.2 passive, 10Gbps, 16.2 Gbps DP, 100 W PD, 28 AWG round wire, black, 3m - Pull out 170cm length; 35cm tail
			Weight	0.995 KG 0.22 Lb.	
			Package	285 x 205 x 63mm (11.22 " x 8.07" x 2.48")	
			Package Weight	Retractor + Bracket – 1.7 KG 3.74 Lb.	