

AS Series

YOKE MOUNT / C-BRACKET

INSTALLATION GUIDE



AS Series

YOKE MOUNT / C-BRACKET



INSTALLATION GUIDE

INSTALLATION SAFETY NOTICE

1. **Fixing Responsibility:** Users are responsible for securely fixing the hardware to the intended mounting surface to ensure safe operation. The fixings utilized must be capable of supporting the weight of the product. Refer to the product specification pages for the appropriate weight limits. Additionally, consult the relevant construction codes in your region for guidance on suitable hardware fixing methods.
2. **Secondary Security Measures:** Certain regional construction codes may mandate the utilization of a secondary method for securing loudspeakers to surfaces to ensure a backup support system. It is recommended to attach a secondary support line from the product to a secure point on the wall. Refer to the relevant construction codes in your region for specific requirements.
3. **Accountability:** AtlasIED will not be held liable for any damages resulting from incorrect installation procedures.

Please adhere to these safety guidelines to ensure the safe and proper installation of your product. If you have any questions or concerns, feel free to contact us for assistance.

SUMMARY OF STEPS

1. Feed wire through bracket.
2. Attach bracket to mounting surface.
3. Feed wire through weatherproof Back Plate.
4. Connect cable to Euroblock connector.
5. Set wattage tap.
6. Remove loudspeaker endcaps then engage loudspeaker with mounting bracket.
7. Partially tighten screws to ensure safe connection.
8. Adjust angle for each access to the back plate.
9. Connect Euroblock connector to loudspeaker.
10. Connect weatherproof Back Plates.
11. Adjust angle of loudspeaker to desired location.
12. Tighten screws to securely lock loudspeaker in place.
13. Place endcaps onto C-bracket sides.
14. Ensure "service loop" in place to prevent water damage.
15. Rotate logo badge for horizontal or vertical loudspeaker orientation.

AS Series

YOKE MOUNT / C-BRACKET



INSTALLATION GUIDE

TOOLS REQUIRED / PACKAGE CONTENTS

AS Series Surface Mount Loudspeakers: Included Contents / Required Tools				
PART	DETAIL	QTY	PART NUMBER (W)	PART NUMBER (B)
Yoke Bracket (C-bracket)		1		
Yoke loudspeaker tightening screws	Button head flange M6x1 316SS	2	1-9410	
Yoke screw cover caps		2	1-18740	1-18820
Cable cover screws; SCREW-M4x1.46-17MM L-PLASTITE-FH-PH H2-SST-BLACK		4	1-19361	
Grommet; GROMMET-WATER SEAL-REAR-AS LOUDSPEAKER		1	1-17159	
Cover; COVER-WATER SEAL-AS LOUDSPEAKERS		1	1-19150	
Mounting plate; PLATE-MOUNTING CABLE COVER- REAR-AS		1	1-19117	
4-pin Euroblock connector	5mm pitch	1	1-19353	
Loudspeaker Cover - Speaker 'teeth' cover		2	1-18569	
Yoke bracket endcap/covers		2	1-18740	1-18820

REQUIRED TOOLS

1. Electric Drill
2. Slotted screwdriver: 3.5mm
3. Drill bit: #1 = 0.2280"; use #1 bit or smaller depending on the size of wire used Phillips screwdriver (optional weatherproofing)
4. Wire strippers

AS Series

YOKE MOUNT / C-BRACKET



INSTALLATION GUIDE

STEP 1 - FEED WIRE THROUGH BRACKET

Run the loudspeaker wires to the loudspeaker locations and through the center hole in the mounting brackets (Figure 1).

Note: Be sure to leave enough wire at the loudspeaker location to feed to the loudspeaker and for any required service/drip loop.

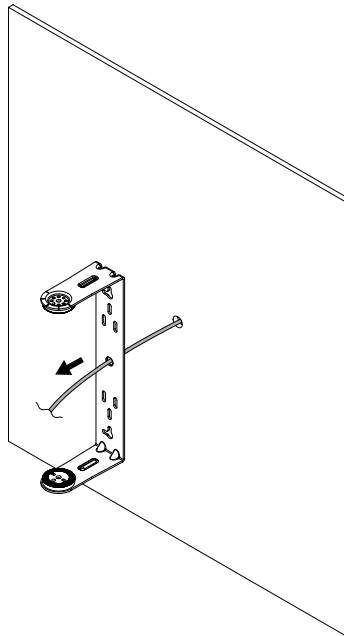


Figure 1

AS Series

YOKE MOUNT / C-BRACKET



INSTALLATION GUIDE

STEP 2 - ATTACH BRACKET TO MOUNTING SURFACE

Attach the bracket to the mounting surface using hardware that is appropriate for the type of surface and loudspeaker weight. The mounting bracket can be attached either horizontally (Figure 2) or vertically (Figure 3).

Use a level to ensure the bracket is correctly aligned in the vertical or horizontal orientation.

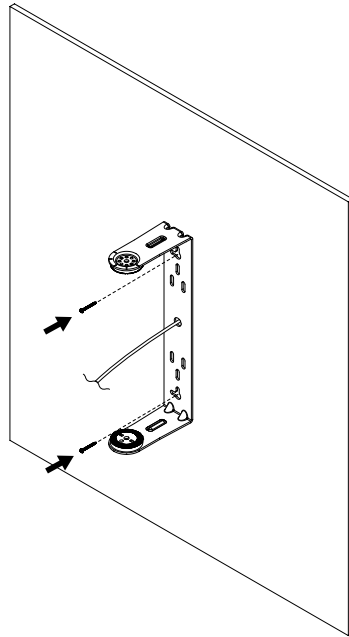


Figure 2

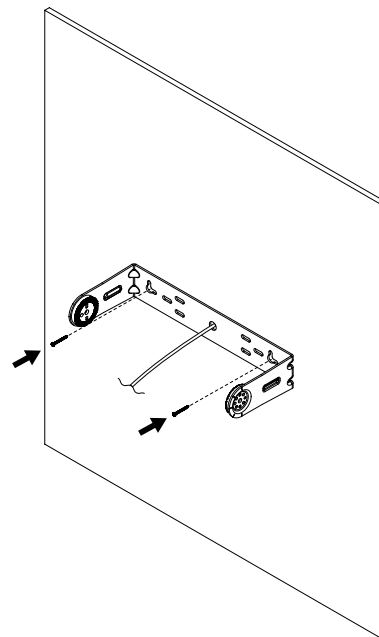


Figure 3

AS Series

YOKE MOUNT / C-BRACKET



INSTALLATION GUIDE

STEP 3 - FEED WIRE THROUGH WEATHERPROOF BACK PLATE

Optional step required for weatherproofing in outdoor installations:

- On the grommet plate, determine which pilot hole locations will be used to feed wire through.
- Stack the grommet assembly on an elevated flat surface (Figure 4) and drill through the selected hole(s) with an electric drill and standard #1 drill bit (Figure 5)
- Insert the cables through the holes in the rubber grommet and pull enough wire through so you can adjust the wire length as needed when making connections (Figure 6). If the wire cannot be pushed through the grommet, repeat step **b** above with a larger diameter drill bit. This may require stepping up the drill bit diameter until the wire can be pushed through the drilled hole.

Note: Wires need to be unterminated before inserting through weatherproof grommet.

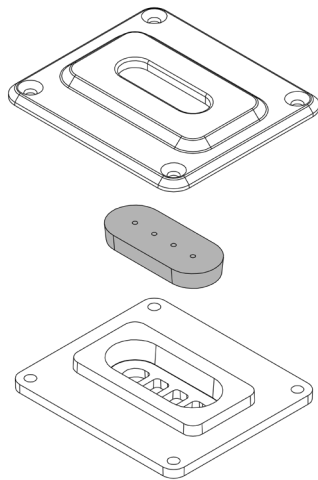


Figure 4

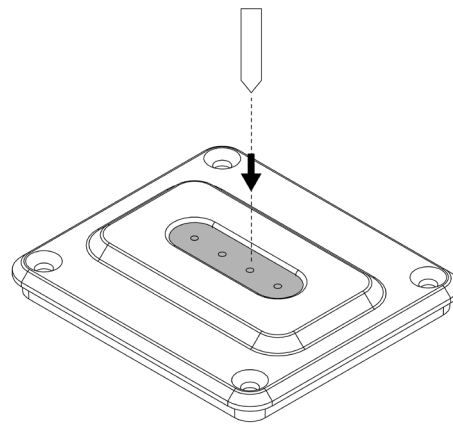


Figure 5

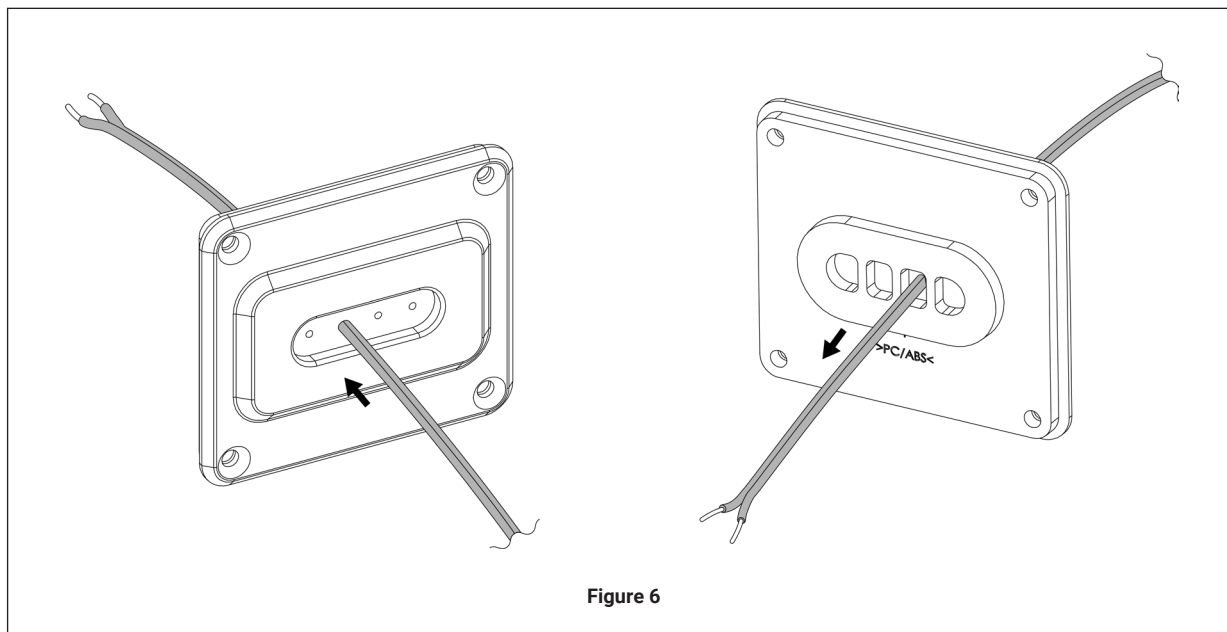


Figure 6

AS Series

YOKE MOUNT / C-BRACKET



INSTALLATION GUIDE

STEP 4 - CONNECT CABLE TO EUROBLOCK CONNECTOR

Strip off an appropriate amount of insulation off each wire and insert the wire into the correct pin opening on the connector. Use a small flat head screwdriver to tighten the corresponding screw to secure the wire (Figure 7).

Connect the Input pins to the amplifier upstream. Connect the Output pins to any additional 70.7/100V loudspeakers downstream or to a second loudspeaker for 4Ω operation, if used in low impedance mode (Figure 8).

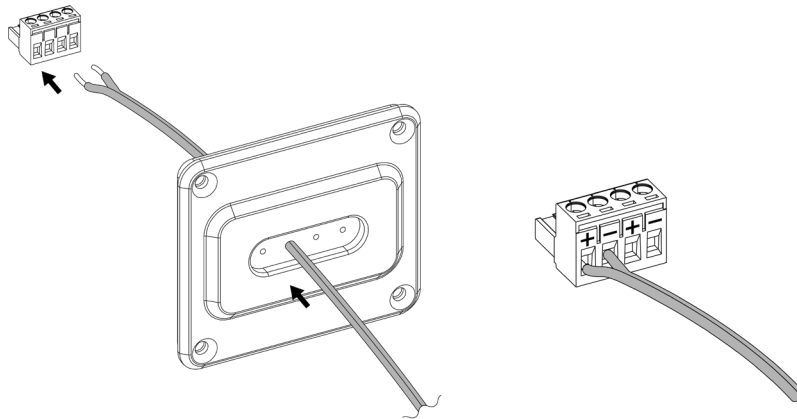


Figure 7

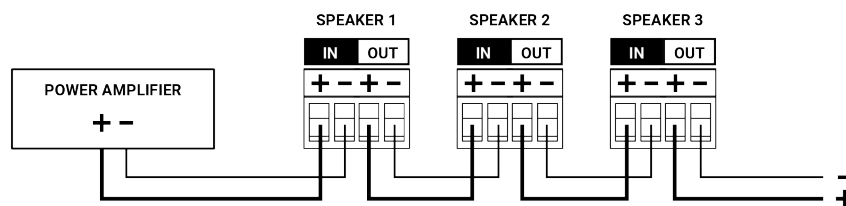


Figure 8

AS Series

YOKE MOUNT / C-BRACKET



INSTALLATION GUIDE

STEP 5 - SET WATTAGE TAP

Determine the proper wattage setting and set the loudspeaker's transformer tap selector so that the switch position aligns with the desired wattage value (Figure 9).

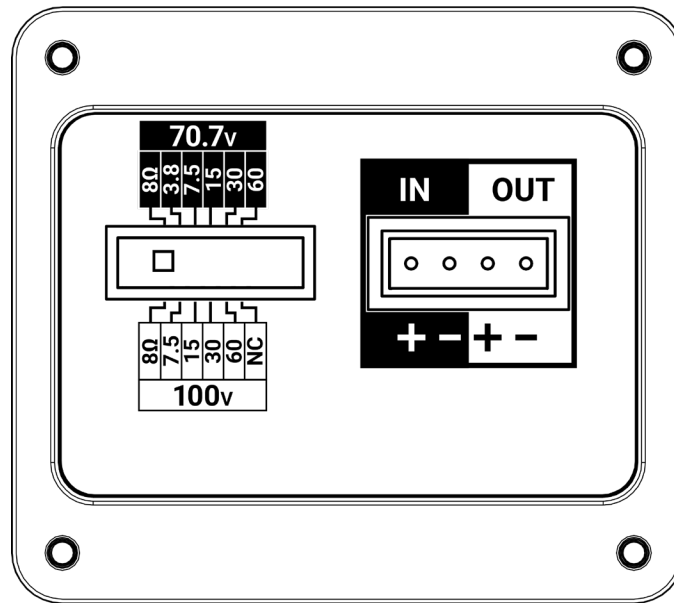


Figure 9

AS Series

YOKE MOUNT / C-BRACKET



INSTALLATION GUIDE

STEP 6 - REMOVE LOUDSPEAKER ENDCAPS THEN ENGAGE LOUDSPEAKER WITH MOUNTING BRACKET

Remove the two loudspeaker endcaps from the top and bottom of the loudspeaker by firmly pulling them away from the loudspeaker (Figure 10). This will expose the mechanism that will engage and lock with the C-bracket arms (Figure 11).

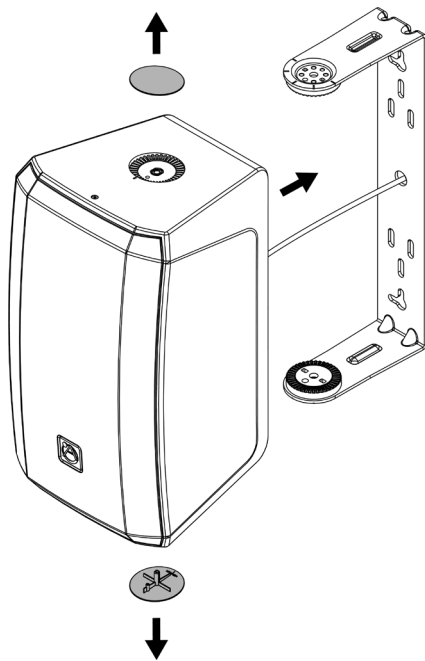


Figure 10

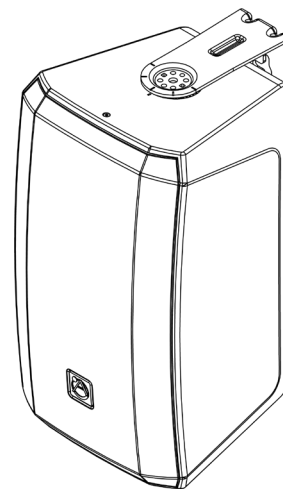


Figure 11

Slide the loudspeaker between the bracket arms until the pivot "teeth"/"points" on the loudspeaker engage into place with the accompanying "teeth"/"points" on the bracket. Ensure that the loudspeaker is securely seated in the bracket (Figure 11).

AS Series

YOKE MOUNT / C-BRACKET



INSTALLATION GUIDE

STEP 7 - PARTIALLY TIGHTEN SCREWS TO ENSURE SAFE CONNECTION

Partially thread the endcap screw through the bracket and into the loudspeaker to secure in place, but keep the screw loose enough for aiming adjustment. (Figure 12).

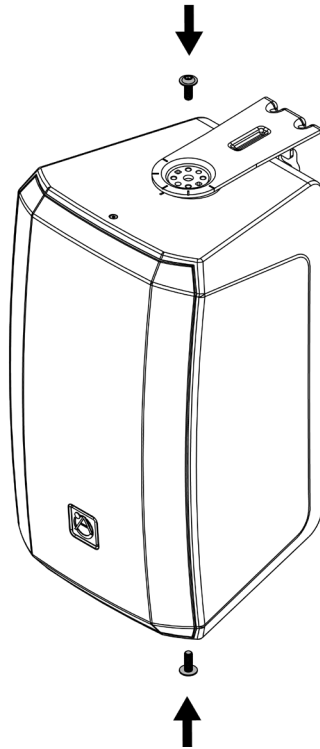


Figure 12

AS Series

YOKE MOUNT / C-BRACKET



INSTALLATION GUIDE

STEP 8 - ADJUST ANGLE FOR EACH ACCESS TO THE BACK PLATE

Adjust the loudspeaker angle so you have easy access to the back connector (Figure 13).

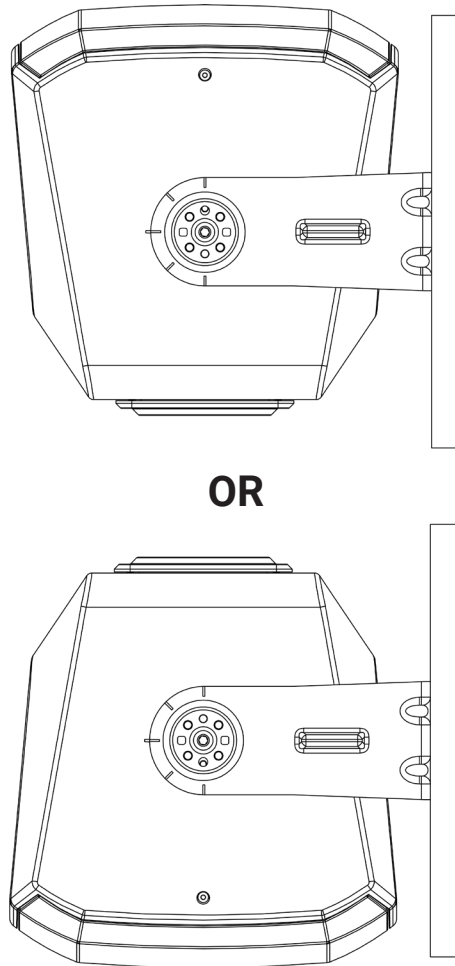


Figure 13

AS Series

YOKE MOUNT / C-BRACKET



INSTALLATION GUIDE

STEP 9 - CONNECT EUROBLOCK CONNECTOR TO LOUDSPEAKER

Connect the previously configured Euroblock connector to the back panel of the loudspeaker (Figure 13).

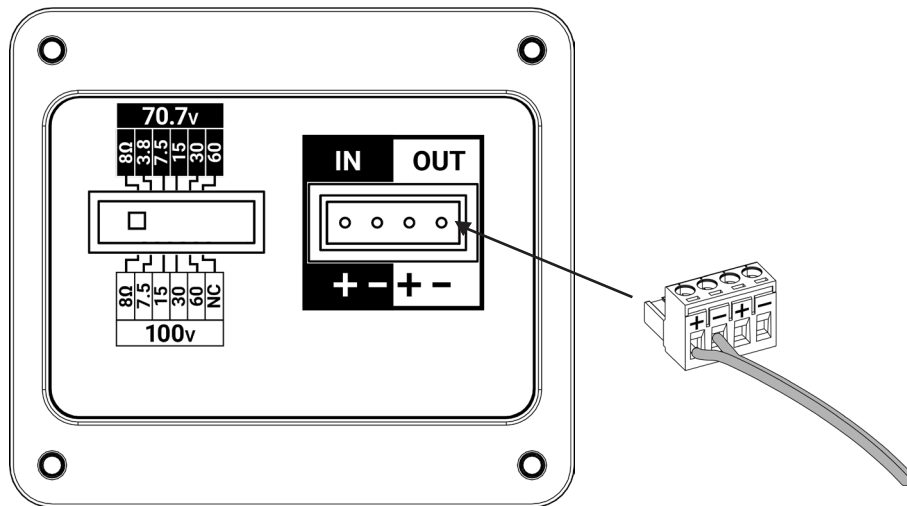


Figure 13

AS Series

YOKE MOUNT / C-BRACKET



INSTALLATION GUIDE

STEP 10 - CONNECT WEATHERPROOF BACK PLATES

Optional step required for weatherproofing in outdoor installations:

Place the grommet plate over the connector opening, then place the back plate over the grommet plate. Use the included screws and a Phillips screwdriver to affix the back plate to the loudspeaker (Figure 14).

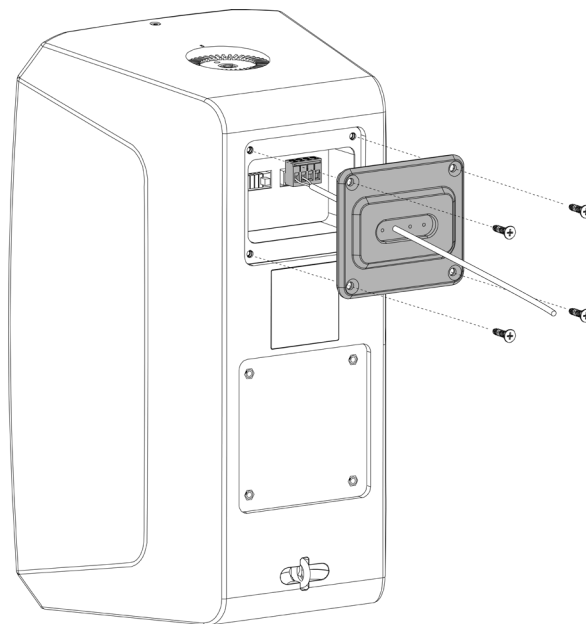


Figure 14

AS Series

YOKE MOUNT / C-BRACKET



INSTALLATION GUIDE

STEP 11 - ADJUST ANGLE OF LOUDSPEAKER DESIRED LOCATION

Adjust the angle of the loudspeaker by tilting it to the desired angles provided by the connecting "teeth"/"points"(Figure 15). The loudspeaker can adjust 180° in increments of 9°. There are markings on the loudspeaker and bracket to help with alignment.

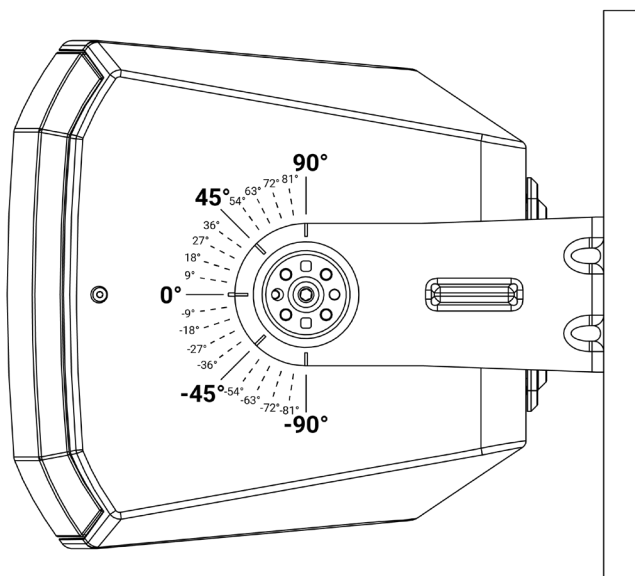


Figure 15

AS Series

YOKE MOUNT / C-BRACKET



INSTALLATION GUIDE

STEP 12 - TIGHTEN SCREWS TO SECURELY LOCK LOUDSPEAKER IN PLACE

Using a Phillips screwdriver, fully tighten the partially threaded bracket screws (Figure 16).

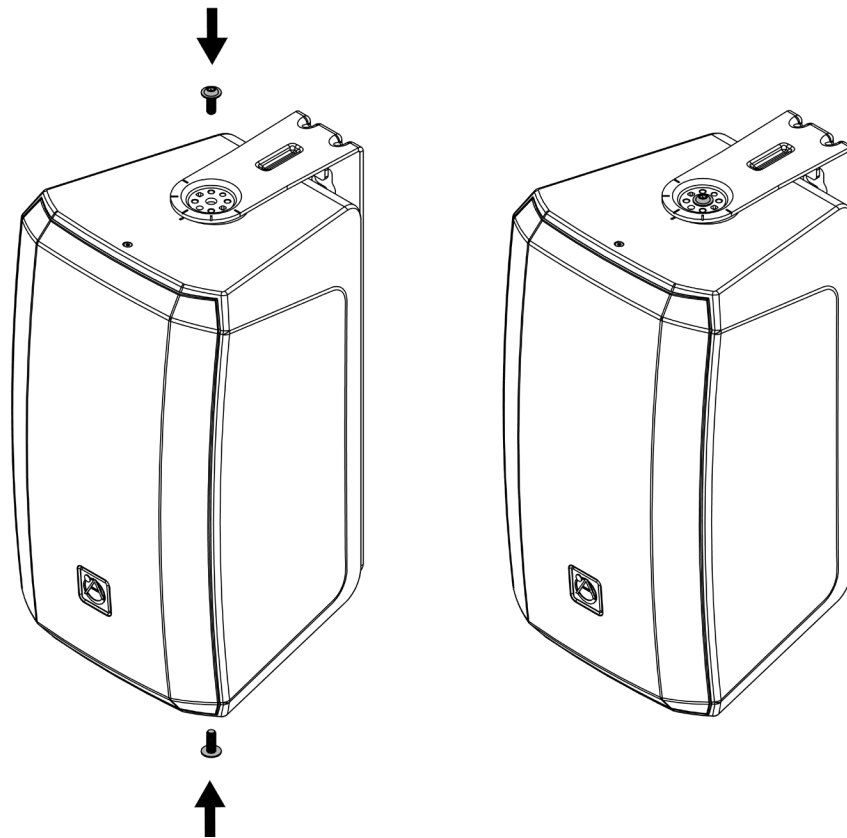


Figure 16

AS Series

YOKE MOUNT / C-BRACKET



INSTALLATION GUIDE

STEP 13 - PLACE ENDCAPS ONTO C-BRACKET SIDES

Place endcaps over the screws and press firmly until they snap into place (Figure 17).

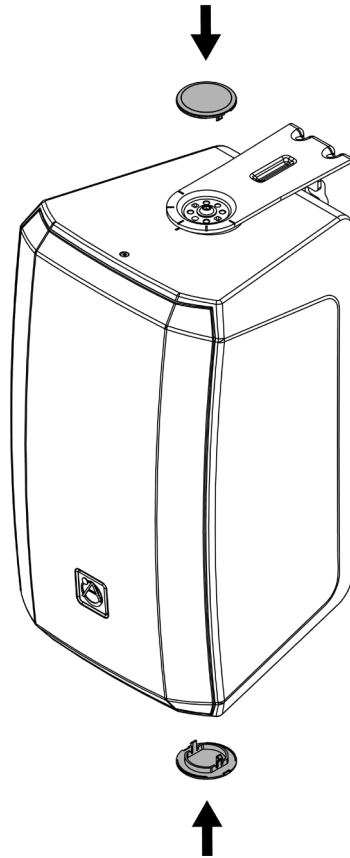


Figure 17

AS Series

YOKE MOUNT / C-BRACKET



INSTALLATION GUIDE

STEP 14 - ENSURE “SERVICE LOOP” IN PLACE TO PREVENT WATER DAMAGE

Optional step required for weatherproofing in outdoor installations:

Ensure that one point of the loudspeaker wire (“service / drip loop”) is below the point where the wire is fed through the yoke bracket. This prevents water from being directed towards the loudspeaker. (Figure 18).

Note: Connect the safety tether from the safety ring at the bottom of the loudspeaker to a structurally adequate location on the mounting surface. The safety tether will hold the weight of the loudspeaker, should the loudspeaker fall.

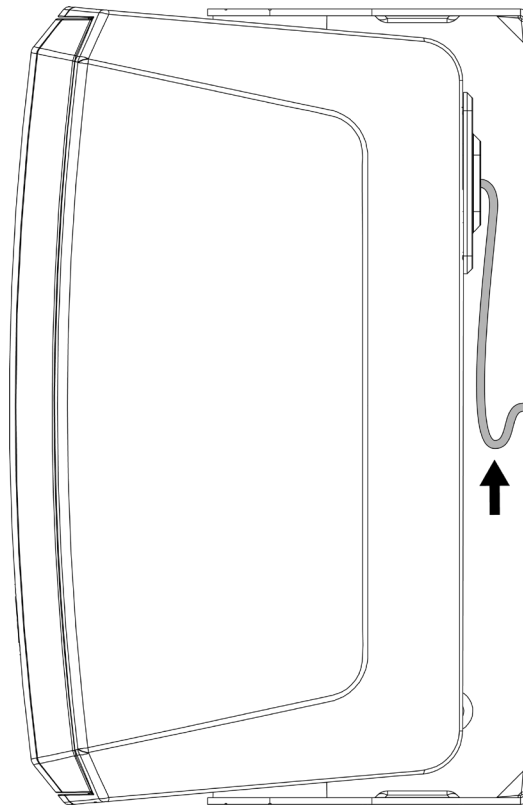


Figure 18

AS Series

YOKE MOUNT / C-BRACKET



INSTALLATION GUIDE

STEP 15 - ROTATE LOGO BADGE FOR HORIZONTAL OR VERTICAL LOUDSPEAKER ORIENTATION

If the loudspeaker is installed in the horizontal orientation, the logo should be rotated 90 degrees (Figure 19).

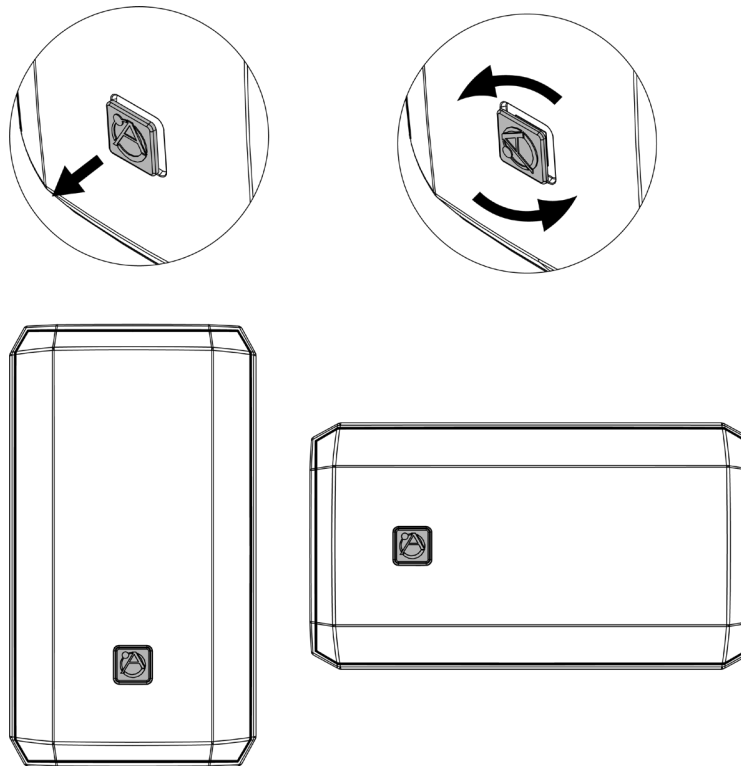


Figure 19

AS Series

YOKE MOUNT / C-BRACKET



INSTALLATION GUIDE

LIMITED WARRANTY

All products manufactured by AtlasIED are warranted to the original dealer/installer, industrial or commercial purchaser to be free from defects in material and workmanship and to be in compliance with our published specifications, if any. This warranty shall extend from the date of purchase for a period of three years on all AtlasIED products, including SOUNDOLIER brand, and ATLAS SOUND brand products except as follows: one year on electronics and control systems; one year on replacement parts; and one year on Musician Series stands and related accessories. Additionally, fuses and lamps carry no warranty. AtlasIED will solely at its discretion, replace at no charge or repair free of charge defective parts or products when the product has been applied and used in accordance with our published operation and installation instructions. We will not be responsible for defects caused by improper storage, misuse (including failure to provide reasonable and necessary maintenance), accident, abnormal atmospheres, water immersion, lightning discharge, or malfunctions when products have been modified or operated in excess of rated power, altered, serviced or installed in other than a workman like manner. The original sales invoice should be retained as evidence of purchase under the terms of this warranty. All warranty returns must comply with our returns policy set forth below. When products returned to AtlasIED do not qualify for repair or replacement under our warranty, repairs may be performed at prevailing costs for material and labor unless there is included with the returned product(s) a written request for an estimate of repair costs before any nonwarranty work is performed. In the event of replacement or upon completion of repairs, return shipment will be made with the transportation charges collect.

EXCEPT TO THE EXTENT THAT APPLICABLE LAW PREVENTS THE LIMITATION OF CONSEQUENTIAL DAMAGES FOR PERSONAL INJURY, ATLASIED SHALL NOT BE LIABLE IN TORT OR CONTRACT FOR ANY DIRECT, CONSEQUENTIAL OR INCIDENTAL LOSS OR DAMAGE ARISING OUT OF THE INSTALLATION, USE OR INABILITY TO USE THE PRODUCTS. THE ABOVE WARRANTY IS IN LIEU OF ALL OTHER WARRANTIES INCLUDING BUT NOT LIMITED TO WARRANTIES OF MERCHANTABILITY AND FITNESS FOR A PARTICULAR PURPOSE.

AtlasIED does not assume, or does it authorize any other person to assume or extend on its behalf, any other warranty, obligation, or liability. This warranty gives you specific legal rights and you may have other rights which vary from state to state.

SERVICE

Should your Atlas AS Series Yoke Mount / C-Bracket require service, please contact the AtlasIED warranty department at 1-877-689-8055, ext. 277 to obtain an RA number.

AtlasIED Tech Support can be reached at 1-800-876-3333 or support.atlasied.com.

Visit our website at www.AtlasIED.com to see other AtlasIED products.