

iSpeaker DAP10

Dante Active full-range speakers, 10"

User Manual ENV1.0



Thank you for purchasing our products. To get the best performance of this product and fully utilize all the functions provided by this system, please read this manual carefully before using this system, and if you do not understand anything, please consult your local dealer, or contact us directly.

Our company is constantly striving to provide product performance and quality, and product technology and design are subject to upgrade without notice.

1 Safety

The safety voltage range of this system is AC175-250V 50Hz.

- Read this manual.
- Retain this note.
- Pay attention to all warnings.
- Comply with all instructions.
- Do not use this product near water.

- Clean this product with a dry cloth only.
- Do not block any ventilation openings and install the equipment according to the manufacturer's instructions.
- Please provide a working environment with good heat dissipation conditions for the equipment, and do not install the equipment near any heat generating sources, such as heaters, heaters and other heat generating devices.
- Please use a power outlet that matches the system power cord exactly, protect the power cord from being stepped on or squeezed, especially the plug, socket and the part that exits the product.
- Use only manufacturer-specified accessories and fittings.
- When moving equipment, try to avoid being hit by external forces, and be careful when using the cart to move the equipment so as not to tip over and cause damage to the equipment.
- If you encounter thunderstorm weather or do not use this product for a long time, please unplug the power supply.
- Use qualified service personnel for all maintenance work. Any damage to the equipment requires repair, such as damage to the power cord or plug, splashing of liquids or other objects into the equipment, or exposure of the equipment to rain or moisture that prevents proper operation, or breakage.
- Do not expose the equipment to dripping or splashing liquids, and do not place objects containing liquids on the equipment.
- Disconnect the power cord plug from the AC outlet when the device is not used for a long time.

2. Hanging attention

When hanging speakers, the user must first know the rated load, hanging technology, detailed consideration of the specific use of special safety issues, and the use of speakers on the special installation / hanging point for installation. In addition to the determination of load requirements, but also to determine the dynamic load and all factors affecting the speaker hanging, including considerations of safety factors, the safety of the connecting structural elements. It is recommended to obtain the special qualification of the installation in the region to work in this area.

Note: Although the user has the above-mentioned qualifications for the installation of the suspension, still insist on providing the following:

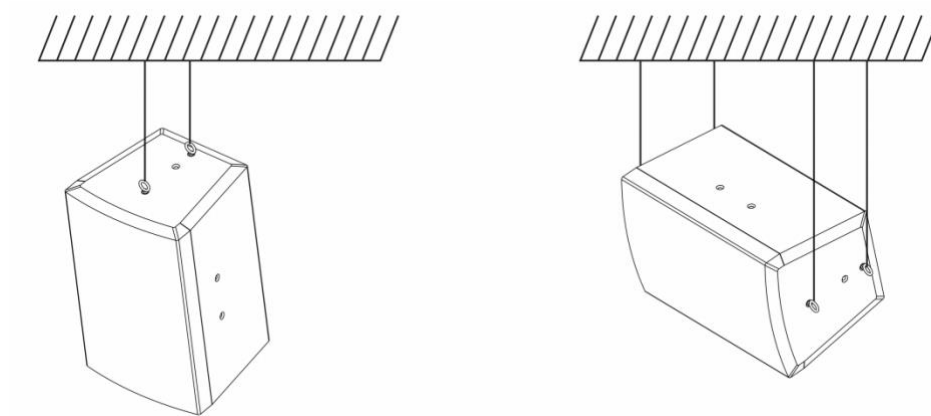
- A. Analysis: The suspension design must be reviewed and confirmed by a qualified structural engineer, registered architect, or other qualified professional before installation.
- B. Hanging system must be installed by qualified professional installers to check the well.

Danger: The sound box system must be suspended by personnel with knowledge of broken parts and suspension techniques, each other or directly installed on the bracket

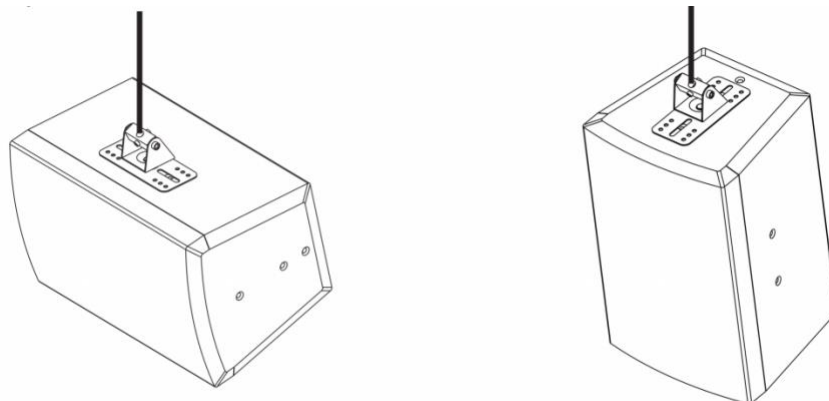
should also be fully considered its stability and safety when subjected to external forces or inadvertently knocked down to prevent damage to equipment or casualties.

2.1 Hanging example.

2.1.1 Hanging ring suspension.



2.1.2 Hanging (optional)



3. In-package components

01	iSpeaker DAP10	308x480x290	1
02	8x35 galvanized lifting ring	-	4
03	Instruction manual	-	1
04	Certificate of Conformity	-	1
05	Warranty Card	-	1

3.1 Selection of accessories

Serial number	Name	Specification(WxHxD) mm:	Quantity
01	506 Hanger	80X72X176mm	1

4. Amplifier module

- Power amplifier module power (8Ω): 300W
- Power amplifier module power (4Ω): 600W
- THD+N (10% of rated power) :<0. 6%
- IMD-SMPTE (10% of rated power): 0. 9%
- CROSSTALK:>65dB
- Frequency response (Hz) :93dB
- Signal-to-noise ratio (A): >93dB
- Power input AC: 220V 50/60Hz
- Operating temperature:(-15°C~+40°C)

5. Operation tips

- Please ensure that all electronic devices do not overload clipping, especially power amplifiers, otherwise it is very easy to damage the speaker.
- When there is overload clipping, even if the rated power of the amplifier is lower than the rated power of the speaker, the speaker will be damaged.
- Try to avoid microphone whistling, which can easily damage the mid-high frequency unit.
- Avoid over-boosting a band of the equalizer, which can cause signal overload in that band. It is recommended to achieve frequency calibration by attenuation, such as feed-back resistance, elimination of room resonance, etc.
- Signal processing can improve the sound performance to a certain extent, but, for the room architecture acoustic problems, signal processing often does not help, the best solution is the placement of the loudspeaker system and projection direction for precise positioning, to ensure that the audience area has more direct sound energy.
- Speaker system radiation sound pressure level is very high, high enough to produce damage to human hearing, please pay attention to the operator and the audience's hearing protection.

6. Maintenance

Normal use of the speaker does not require special maintenance, it is recommended that the following routine checks can be.

- Test: regular testing to maintain performance characteristics. A simple way is through the CD playback through the speakers, listen carefully to each speaker unit of the speaker whether the sound is normal, there is no distortion or abnormal sound, pay attention to the selection of the program source, the need to use a clear and delicate, rich spectrum, a wide range of dynamic program sources, and test listening at multiple volume levels: low, medium, and high.
- Installation / hanging must regularly check the safety of the speaker installation or hanging parts, wear and tear, deformation, corrosion, and other factors affecting the load to ensure normal.
- Cleaning: use dry, wet cloth or household cleaners to remove speaker stains, avoid using powerful cleaning agents that may damage the speaker surface coating.
- Surface scratches or dents treatment: shallow surface smaller can be used outdoor latex paint or directly painted with a similar color to cover, more serious chisel marks and dents need to be filled with wood putty and then repainted.

7. No sound or very low output sound pressure level

- Speaker connection or port problems. Check that all cables and ports are connected properly and have good contact. Change a cable to make sure it is good and reconnect it to confirm whether the cause of the failure.
- Electronic equipment is not turned on or the level is not set properly. Please double check the status of each level of equipment.
- The speaker system does not work. Change a good speaker to try, if the cause of the failure, please contact the after-sales service.

7.1 Sound distortion

- Power amplifier is overloaded. Please reduce the signal level.
- Other electronic equipment is overloaded. Please check each level of equipment carefully.
- The speaker unit is not working properly. Please contact the after-sales service immediately.

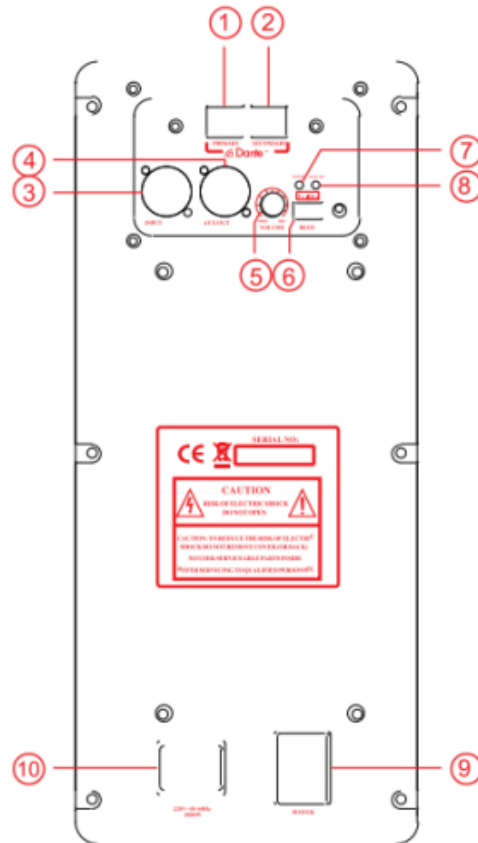
7.2 No sound in some bands

- The equalization settings are not correct. Please make sure the filtering and equalization settings of the mixer, preamplifier, equalizer and all other equipment are correct, working properly and well connected.

- The processor settings are incorrect. Please adapt the processor settings to the speaker system.
- Speaker input panel mode switch is incorrect. Please make sure the mode switch is in the correct state: single-way, dual-way, three-way amplifier driver.
- The speaker unit is not working properly. Please contact the after-sales service immediately.
- The speaker is not properly placed in the crossover network. Please contact the after-sales service immediately.

8. Amplifier backplane

- 01: Dante signal input 1
- 02: Dante signal input 2
- 03: Input XLR port (mixer or processor direct input)
- 04: Output XLR port
- 05: Volume control
- 06: RS232 remote volume control
- 07: Power indicator
- 08: Limiting/Clipping indicator
- 09: Main power switch of the equipment
- 10: ICE power input connector



9. Specifications

Model	iSpeaker DAP10
Unit configuration	10"(250 mm) ferrite bass, 1.5"(34 mm) ferrite treble drive
Frequency response ($\pm 3\text{dB}$)	50Hz-20kHz
Rated power	120W
Sensitivity (1W/1m)	90dB
Maximum noise pressure level (SPL)	118dB
Standard impedance	8 Ω
Covering Angle (H x V)	80°x 80°
Dante Digital Network interface	2 x RJ45 interface

Analog interface	1 x XLR balanced input, 1 x XLR balanced output
Active power amplifier module	200W
Volume knob control	Yes
Central control interface	RS232
Lifting accessories	U-shaped rack
Size (W x H x D)	308 x 486 x 290 mm
Net weight (kg)	12.2kg