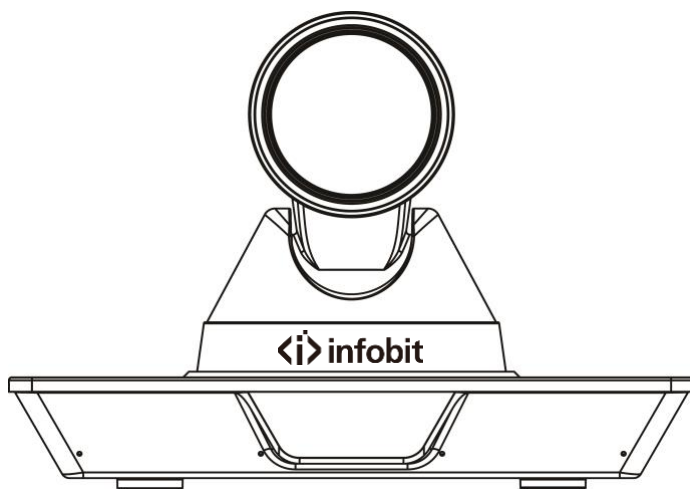


iCam P30

4K60 PTZ Conference Camera



User Manual
English (V1.0)

Catalogue

1	Note	1
2	Packing List	1
3	Quick Start.....	1
4	About Product.....	3
4.1	Features.....	3
4.2	Product Specification	3
4.3	Interfaces and Buttons	5
4.4	Dimension.....	5
4.5	Remote Control	6

1 Note

- **Electric Safety**

Installation and operation must accord with electric safety standard.

- **Use Caution to Transport**

Avoid stress, vibration or soakage in transport, storage and installation.

- **Polarity of Power Supply**

The power supply of this product is +12V, the max electrical current is 2A. Polarity of the power supply plug drawing shows as below.



- **Installation Precautions**

Do not grasp the camera lens when carrying it.

Don't touch camera lens by hand. Mechanical damage may be caused by doing so.

Do not use in corrosive liquid, gas or solid

environment to avoid any cover (plastic material) damage. Make sure there is no obstacle within rotation range.

Please never power on before installation is completed.

- **Do not Dismantle the Camera**

We are not responsible for any unauthorized modification or dismantling.



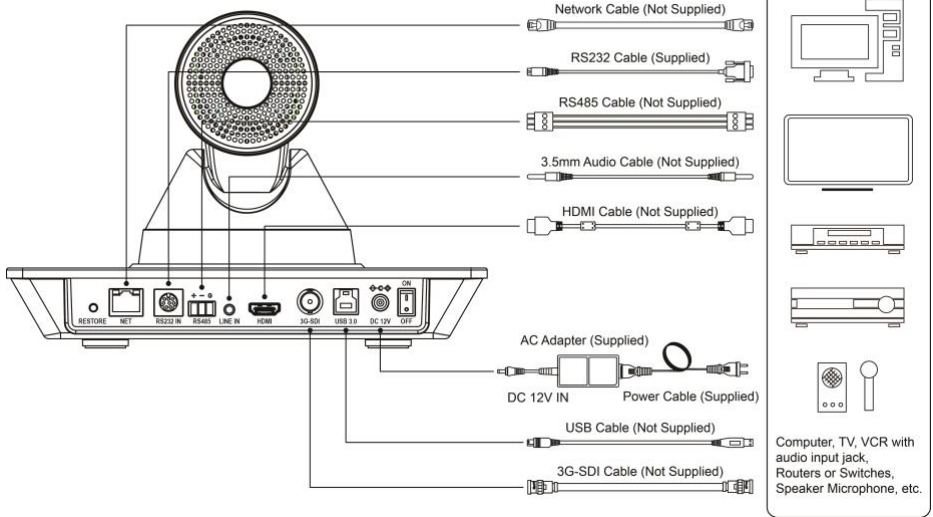
Specific frequencies of electromagnetic field may affect the image of the camera!

2 Packing List

Name	Quantity
Camera	1
Power Adaptor	1
Power Cable	1
RS232 Cable	1
Remote Control	1
Lens Protective Cap	1
3P Phoenix Head	1
User Manual	1

3 Quick Start

1) Please check connections are correct before starting.



- 2) Connect the power adapter to the power connector on the rear panel of the camera. The power indicator on the front panel of the camera is on.
- 3) After the camera is powered on, it starts to initialize, right up to the limit position, and then both horizontal and vertical go to the middle position, the motor stops running, and the initialization is completed.
(Note: If preset 0 is saved, PTZ will be move to preset 0)

4 About Product

4.1 Features

- **4K Ultra HD**

Using a new generation of SONY 1/2.5 inch, 8.51 million pixel high-quality UHD CMOS sensor. It can provide 4K ultra high definition, up to 4K@60fps image coding output, and downwards compatibility with 1080P, 720P resolution.

- **12x Wide Angle Lens**

Customized high quality real 8 million ultra high resolution 4K lens, 12x optical zoom, maximum 71° viewing angle.

- **HDMI 2.0**

It supports HDMI 2.0 version, and can output uncompressed 4KP60 original video.

- **Multiple Interfaces**

It supports NET/HDMI/3G-SDI/USB Interface, and it can output 4 channels of high-definition digital signals at the same time.

- **Low Light**

The application of 2D and 3D noise reduction algorithm greatly reduces image noise. Even under the condition of ultra-low illumination, it still keep the picture clean and clear, and the SNR of image is as high as 55dB.

- **Remote Control**

Through the RS232 IN serial port, the camera

can be controlled remotely.

4.2 Product Specification

Name	4K Video Conference Camera
Camera	
Video System	4K@60fps, 4K@50fps, 4K@30fps, 4K@25fps, 4K@59.94fps, 4K@29.97fps, 1080P@60fps, 1080P@50fps, 1080I@60fps, 1080I@50fps, 1080P@30fps, 1080P@25fps, 1080P@59.94fps, 1080I@59.94fps, 1080P@29.97fps, 720P@60fps, 720P@59.94fps
Sensor	1/2.5 inch, CMOS, Max Effective Pixel: 8.51M
Scanning Mode	Progressive
Lens	12x, f = 4.4mm ~ 52.8mm, F1.8 ~ F2.6
Digital Zoom	16x
Minimum Illumination	0.5 Lux @ (F1.8, AGC ON)
Shutter	1/30s ~ 1/10000s
White Balance	Auto, Indoor, Outdoor, One Push, Manual, VAR
Backlight Compensation	Support
Digital Noise Reduction	2D & 3D Digital Noise Reduction
Signal Noise Ratio	≥55dB
Horizontal Angle of View	71° ~ 8.2°
Vertical Angle of View	42.7° ~ 4.5°
Horizontal Rotation Range	±170°
Vertical Rotation Range	±30°

Pan Speed Range	1.6°/s ~ 76°/s
Tilt Speed Range	0.5°/s ~ 15°/s
H & V Flip	Support
Image Freeze	Support
Number of Preset	255
Preset Accuracy	0.1°

USB Features

Operate System	Windows 7, Windows 8, Windows 10, Mac OS X, Linux, Android
Color System / Compression	YUY2 / MJPEG / H.264 / H.265
Video Format	<ul style="list-style-type: none"> ● YUY2: max to 1080P@30fps ● H.264 AVC/SVC: max to 2160P@60fps ● MJPEG: max to 2160P@30fps
USB Audio	Support
USB Video Communication Protocol	UVC 1.1~1.5
UVC PTZ	Support

Network Features

Video Compression	H.264/H.265/MJPEG
Video Stream	First Stream, Second Stream
First Stream Resolution	3840x2160, 1920x1080, 1280x720, 1024x576, 960x540, 640x480, 640x360
Second Stream Resolution	1280x720, 1024x576, 720x576 (50Hz support), 720x480 (60Hz support), 720x408, 640x360, 480x270, 320x240, 320x180
Video Bit Rate	32Kbps ~ 51200Kbps
Bit Rate Type	Variable Rate, Fixed Rate
Frame Rate	50Hz: 1fps ~ 50fps, 60Hz: 1fps ~ 60fps

Audio Compression	AAC
Audio Bit Rate	96K, 128K, 256K
Protocols	TCP/IP, HTTP, RTSP, RTMP/RTMPS, ONVIF, DHCP, SRT, Multicast

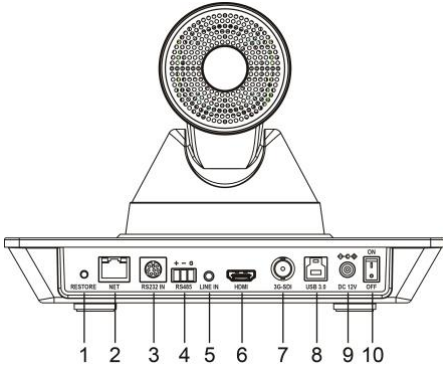
Input/Output Interface

Network Interface	1 x RJ45: 10/100/1000M Adaptive Ethernet Port
Communication Interface	1 x RS232 IN: 8pin Min DIN, Max Distance: 30m, Protocol: VISCA / Pelco-D / Pelco-P 1 x RS485: 3pin phoenix port, Max Distance: 1200m, Protocol: VISCA / Pelco-D / Pelco-P
Audio Interface	1 x LINE IN: 3.5mm Audio Interface
HDMI Interface	1 x HDMI: Version 2.0
3G-SDI Interface	1 x 3G-SDI: BNC type, 800mVp-p, 75Ω. Along to SMPTE 424M standard
USB Interface	1 x USB 3.0: Up to 4K@60fps compressed video and 1080P original video can be output
Power Jack	JEITA type (DC IN 12V)

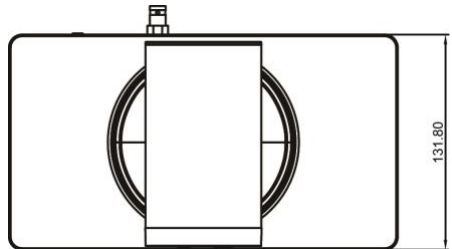
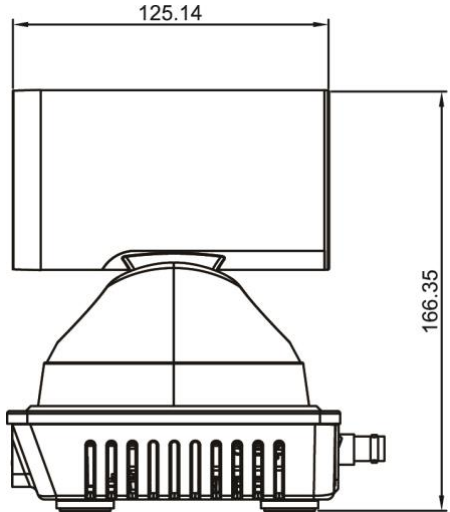
Physical Parameter

Input Voltage	DC 12V
Current Consumption	1.0A (Max)
Operating Temperature	-10°C ~ 40°C
Storage Temperature	-40°C ~ 60°C
Power Consumption	12W (Max)
MTBF	>30000h
Size	238 x 131.8 x 166.35mm
Net Weight	About 1.3Kg

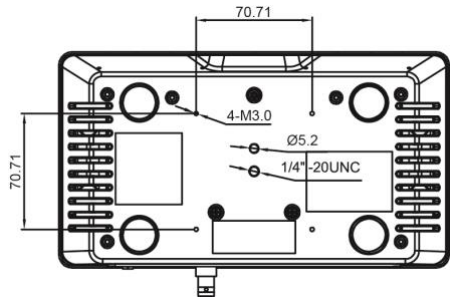
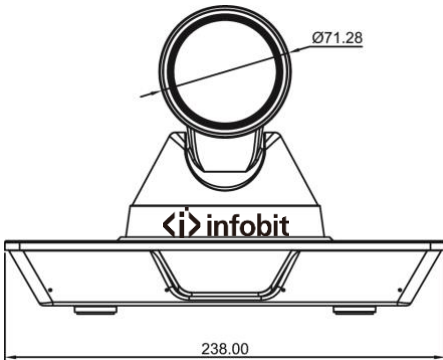
4.3 Interfaces and Buttons



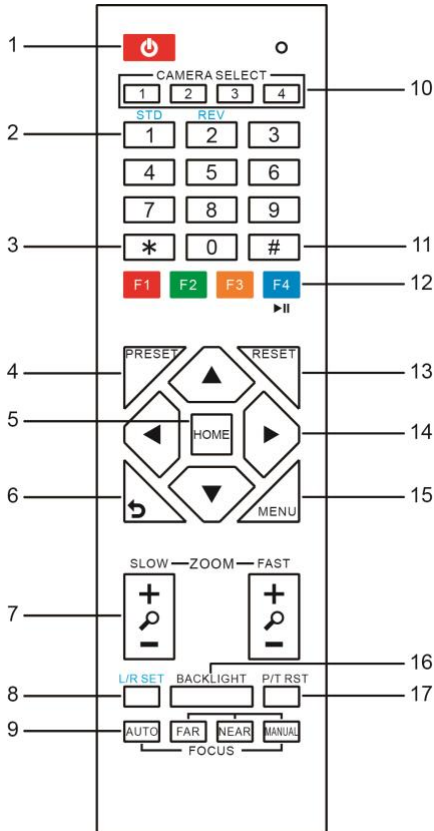
Item	Name
1	Restore Button
2	Network Interface
3	RS232 IN Interface
4	RS485 Interface
5	LINE IN Interface
6	HDMI Interface
7	3G-SDI Interface
8	USB 3.0 Interface
9	DC 12V Interface
10	Power Switch



4.4 Dimension



4.5 Remote Control



Key Description

1. Standby Key

Press this button to enter standby mode. Press it again to enter normal mode. Note: Power consumption in standby mode is approximately half of the normal mode

2. Number Key

To set preset or call preset.

3. *Key

Used with other buttons.

4. Preset Key

Set preset: Store a preset position. [SET PRESET] + Numeric button (0-9): Setting a corresponding numeric key preset

position.

5. HOME Key

Confirm menu, enter the submenu or the PTZ will back to the middle position after pressed it

6. Return Key

Return back the last level menu

7. Zoom Key

Slow Zoom: Zoom In [+] or Zoom Out [-] slowly

Fast Zoom: Zoom In [+] or Zoom Out [-] fast

8. Left/Right Setting Key

Press with 1 button and 2 button setting the direction of the Pan-Tilt.

- Simultaneously press L/R Set +1[STD]: set the Pan-Tilt turn the same direction as the L/R Set.
- Simultaneously press L/R Set +2[REV]: set the Pan-Tilt turn the opposite direction as the L/R Set.

9. Focus Key

Used for focus adjustment.

Press [AUTO] adjust the focuses on the center of the object automatically.

Press [MANUAL] adjust the focus on the center of the object manual.

MANUAL button, and adjust it with [Far] (Focus on far object) and [NEAR] (Focus on near object).

10. Selection Key

Press the button corresponding to the camera you want to operate with the remote controller.

11. #Key

Used with other buttons.

12. IR Remote Control Key

[*]+[#]+[F1]: Address 1

[*]+[#]+[F2]: Address 2

[*]+[#]+[F3]: Address 3

[*]+[#]+[F4]: Address 4

13. Reset Key

Clear preset: Erase a preset position.

[CLEAR PRESET] + Numeric button (0-9)

Or: [*]+[#]+[CLEAR PRESET]: Erase all the preset individually.

14. PTZ Control Key

Press arrow buttons to perform panning and tilting. Press [HOME] button to face the camera back to front.

15. Menu Key

MENU: enter or exit OSD MENU.

16. Backlight Key

BLC ON/OFF: Press this button to enable the backlight compensation. Press it again to disable the backlight compensation.

NOTE:

- Effective only in auto exposure mode.
 - If a light behind the subject, the subject will become dark. In this case, press the backlight ON/OFF button. To cancel this function, press backlight ON/OFF button.
-

17. PTZ Reset Key

Preset Pan/Tilt self-test.

18. Image Freezing Function

Manually freeze: Open the freezing function after press the remote control [F4], display “Freeze” on the left upper corner character, after five seconds display disappear automatically. If you want to cancel the freeze, press [F4] key and then can return to normal, display “Unfreeze” on the left upper corner, after five seconds display will disappear automatically.

Recalling the Preset image Freeze: By the OSD Menu “Image Freeze” to set recalling the preset image freeze function. After the function is opened, the screen will stay in before Recalling the Preset when Recalling the Preset, the screen can be switched to the preset position screen until the camera points to the preset position.

19. Shortcut Set

[*]+[#]+[1]: OSD menu default English
[*]+[#]+[3]: OSD menu default Chinese
[*]+[#]+[4]: Display current IP address
[*]+[#]+[6]: Quickly recover the default
[*]+[#]+[8]: View the camera version
[*]+[#]+[9]: Quickly set up inversion
[*]+[#]+[MANUAL]: Restore default IP address
