

iTrans

One Cable Station

Model: OCS 181



Overview

Keep your tabletop clean and organized

The iTrans OCS 181 offers a one-cable laptop link to a room's conference camera and devices, making it easy for teams to meet, present, and stream over any service.

The One Cable Station- OCS 181 is a docking station, which is used for port expansion through the TYPE-C port. It expands multiple USB-A ports and USB-C ports for users to choose, and expands 1 DP and 2 HDMI ports at the same time ,it also support 1000/100/10Mbps adaptive RJ45 network port, SD/TF card slot, USB audio 4 section 3.5 interface and 3.5 audio interface

with audio/microphone separation. After the product is connected to the power adapter, it provides 60W PD charging to the computer, and the video output supports a maximum of 1 4K/30HZ or two outputs, 1 4K/30HZ and one 1080P.

USB maximum support bandwidth of 5Gbps, and is backward compatible with USB2.0, USB1.1 and so on.

System support

- Microsoft Windows XP or above
- MAC OS 10.6.2 or above
- Linux Fedora FC8 or above

Features

USB3.0 (5Gbps) high-speed data transmission

Type C Host port, 2 HDMI ports, 1 DP port, 1 RJ45 1000Mbps, 2 USB 2.0 ports, 3 USB 3.0 ports, 3 USB C ports , 1 4-section audio port and 1 set of audio/ microphone separation port

Support SD/TF card reader, max support 2TB

Support 3.5 audio ports, 4 headphones, and 3 audio/microphone separation audio

Support RJ45 link, 1000/100/10Mbps adaptive connection

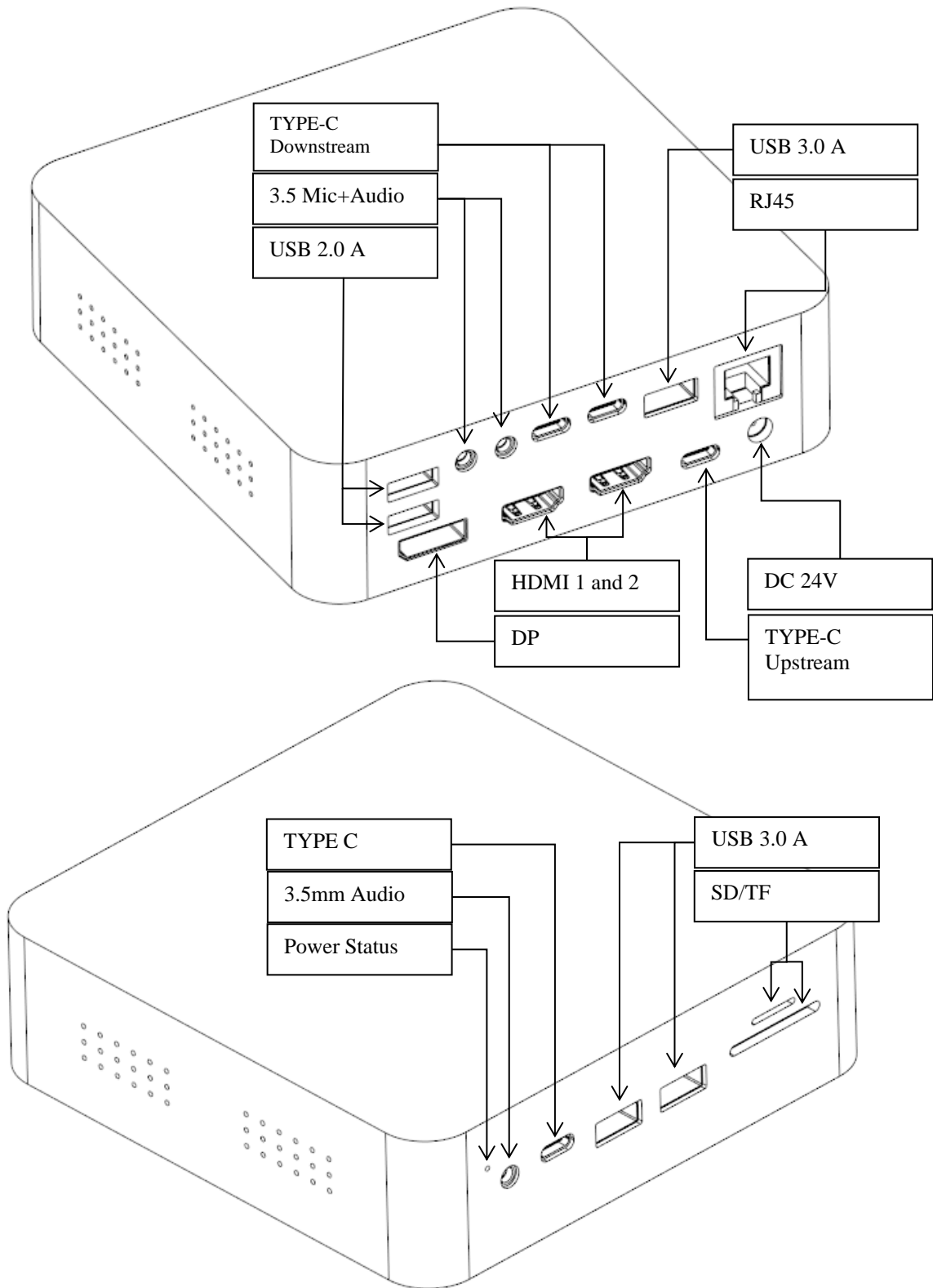
DC24V power supply, provide 60W PD fast charge for the computer

Hardware parameters

Main protocol chip: VM5310\VL817\GL3224\RT8153B

Product Dimension

Product size: 133*133*37mm



Interface

1x TYPE-C upstream female port: Connects to the host PC, with Power Supply passthrough

2x USB-A ports (USB 2.0, 480Mbps): Connect to USB devices like camera, microphone, USB drive, Keyboard/mouse, printer...

3x TYPE-C female ports (USB 3.0, 5Gbps): for USB data

1x 3.5mm audio female port (Audio+Mic): 3.5mm audio head 3-pole/ 4-pole adaptive

1x RJ45 port: 1,000\100\10Mbps adaptive

2x HDMI ports: Up to 4K/30Hz (3840*2160) video output

1x DP output: Up to 4K/30Hz (3840*2160) video output

1x TF card slot: USB3.0, supports max. 2TB TF card

1x SD card slot: USB3.0, supports max. 2TB SD card

3x USB-A ports (USB3.0, 5Gbps): Connect to USB devices like camera, microphone, USB drive, Keyboard/mouse, printer...

1x 3.5mm audio, 1x microphone port

1x DC24V/4A power supply

Display mode

Extended copy instructions:

Regarding the video display definition, when the external display is one display, the maximum output is 4K30HZ, and when two displays are connected, it supports one 4K30HZ output and one 1080P output.

Under Windows system

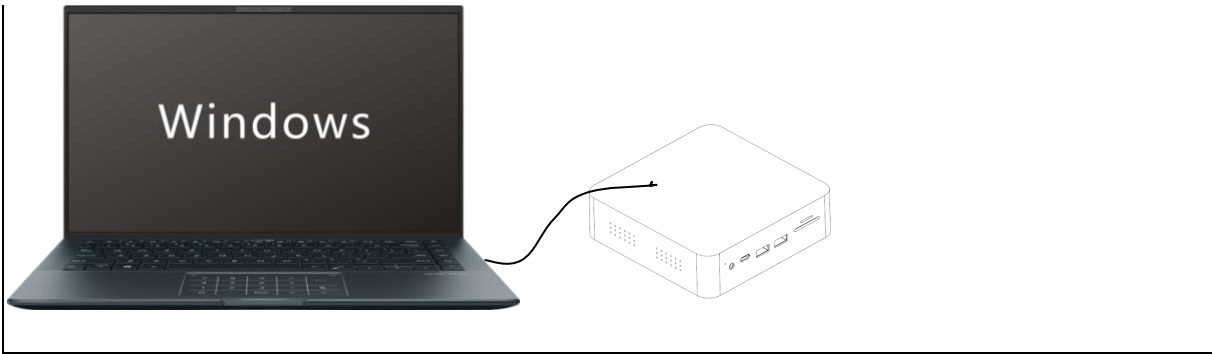
Extend mode

Two interfaces can be connected to any two displays, supporting one 4K/30HZ. Another 1080P/60

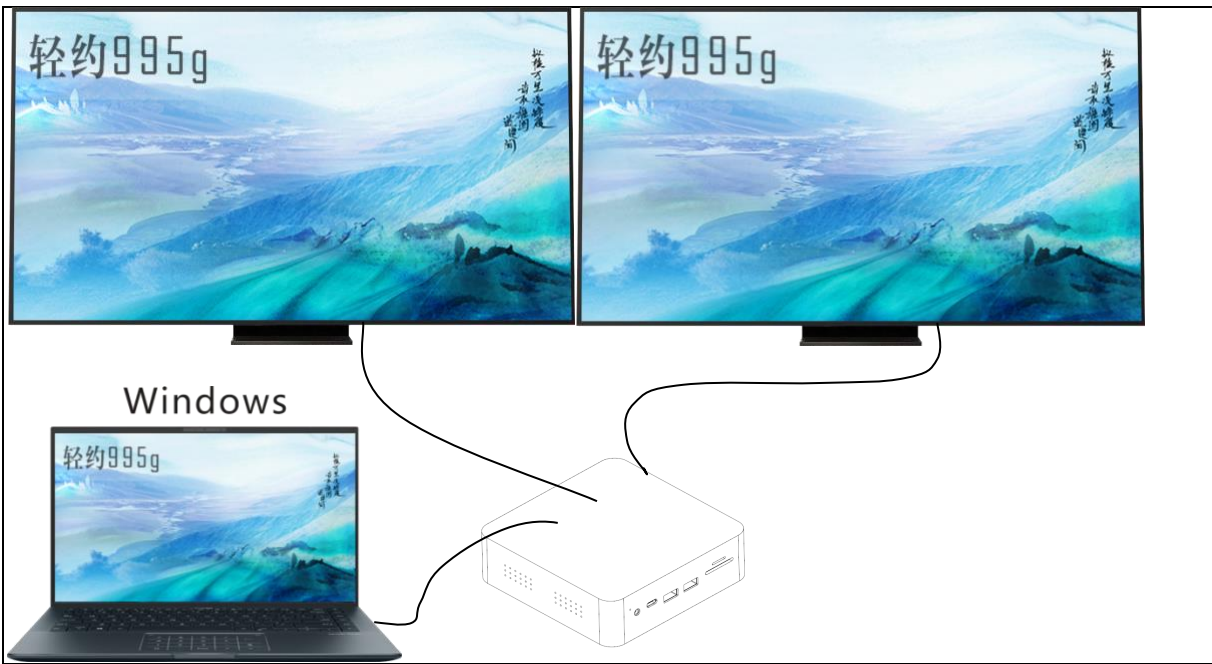


If you need to connect all three external displays to work, you must turn off the PC native display





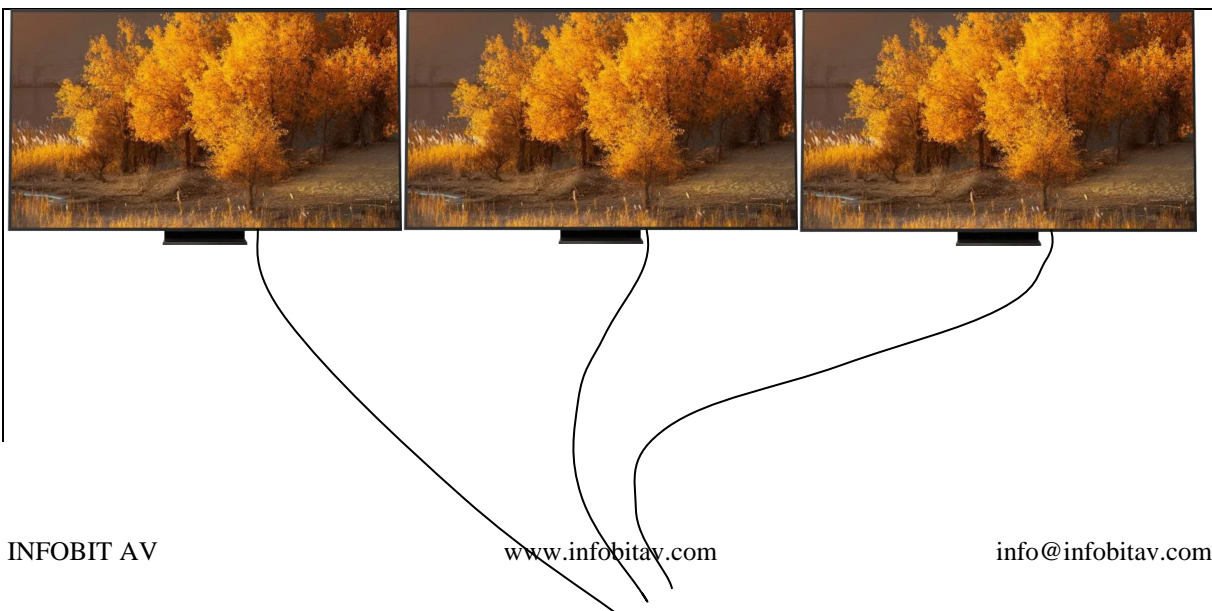
In Mirror mode

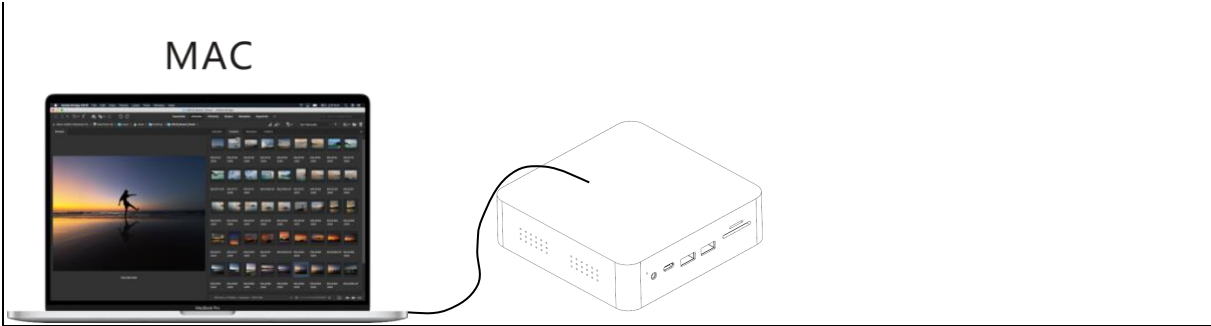


Under MAC OS system

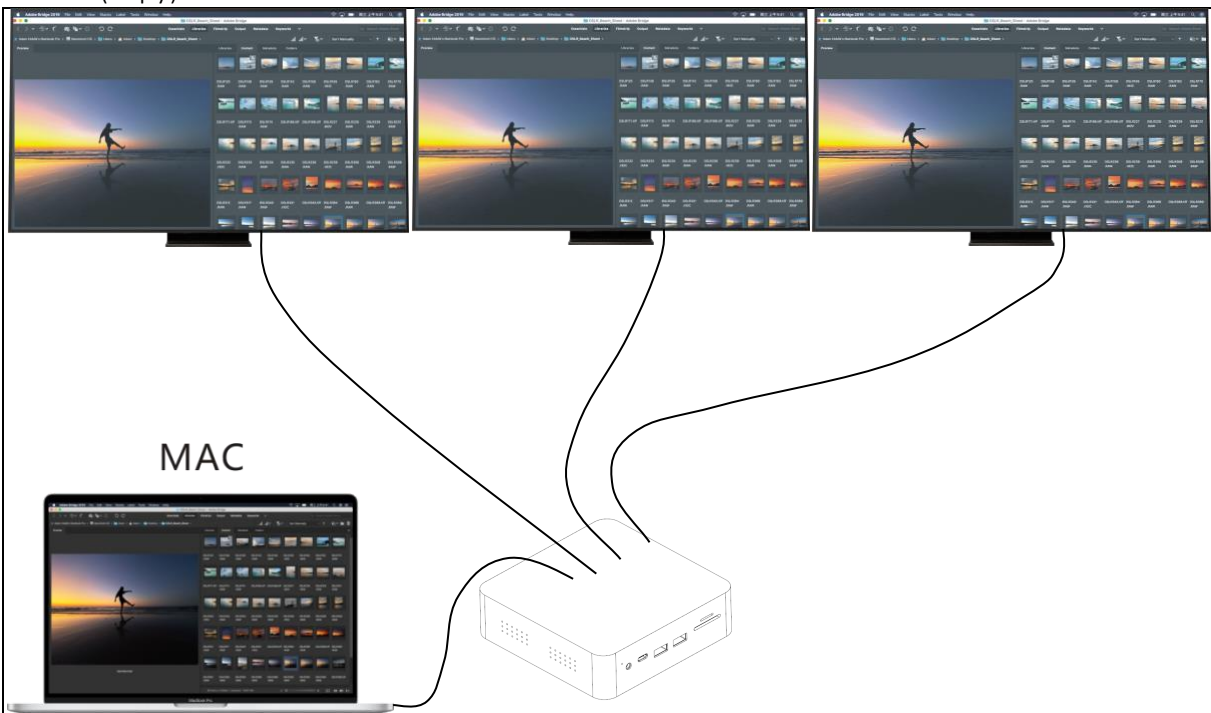
Extended mode

Extend 3 identical displays, up to 4K/30hz





Mirror (copy) mode



Note: The graphics card functions of different PC configurations will be different. The way of displaying the screen depends on the PC's graphics card. It can be roughly divided into the above situations. Extension and copying require the user to make settings in the system, and the product cannot be automatically assigned. The product will remember the user's last use settings, so the next time the display is inserted, it will automatically return to the last saved setting mode.

Environment

-
- Working temperature: 0-40°C
 - Working humidity: 10%-90% RH (non-condensing)
 - Storage temperature: -40-70°C
 - Storage humidity: 5%-90% RH (non-condensing)