

USB 3.1 C to C Active Optical Cable

for Data Transmission

Model: AOC-USB31-CCD





Introduction

The Infobit USB 3.1 Gen 2 active optical cables address the growing need for bandwidth with plug-and-play links to existing electrical connectors that scale greater distances than previously possible over copper links. Supporting the latest USB 3.1 Gen 2 standards, the USB 3.1 GEN 2 AOCs are ideal for AR/VR, cameras for conference rooms and machine vision, storage, and other computer peripherals. The USB 3.1 GEN2 Type C to Type C Active Optical Cables are designed for current peripheral devices using the latest USB Type-C connector. The USB 3.1 GEN 2 C-C AOC delivers superior performance while providing a reliable plug-and-play user experience. Working with Host (PC) and Devices (USB drive, USB Hub, HUB HID, USB Camera and other peripherals).

Features

- Meet USB 3.1 Gen2 Standard , bandwidth can reach up to 10Gbps super speed
- Support length up to 30m
- Hybrid optical cable with fiber and copper wire
- Support USB 2.0 & 3.0
- Support two sides plug and play
- Can provide 5V 800mA power maximum to the remote device
- Does not support charging or powering of devices
- No RF interference, working stable in complex environments

Applications

- Mobile Terminal
- Home Theatre

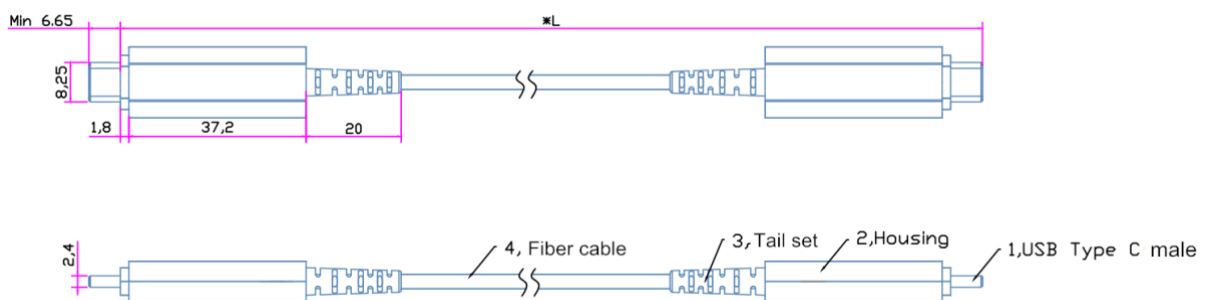
- Medical Imaging Equipment
- LED Signboards
- TV Broadcast Station
- Airplane On-board Video System
- Conference Room
- Digital Signage

Specs

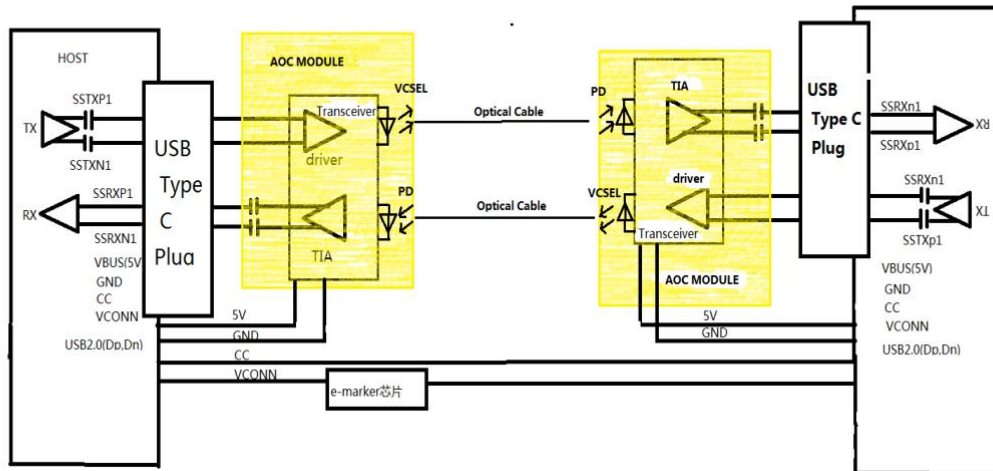
SPECIFICATIONS

Connector A	USB 3.1 Type-C Male
Connector B	USB 3.1 Type-C Male
Cable	Active Optical Hybrid Cable
Protocols Supported	USB 3.1 GEN 2, USB 3.0, USB 2.0
Max Data Rate	10Gbps
Max Length	30m (98ft)
Cable Diameter	4.0mm
Minimum Bend Radius	30mm
Operating Temperature	-20°C to 50°C (-4°F to 122°F)
Storage Temperature	-20°C to 70°C (-4°F to 158°F)

Dimension



USB 3.1 Type C AOC Drawing



How USB 3.1 Type C AOC Works