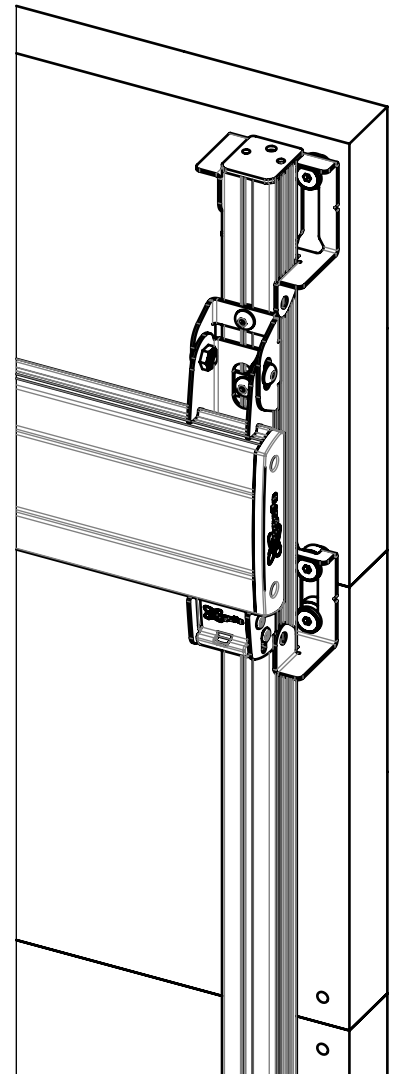
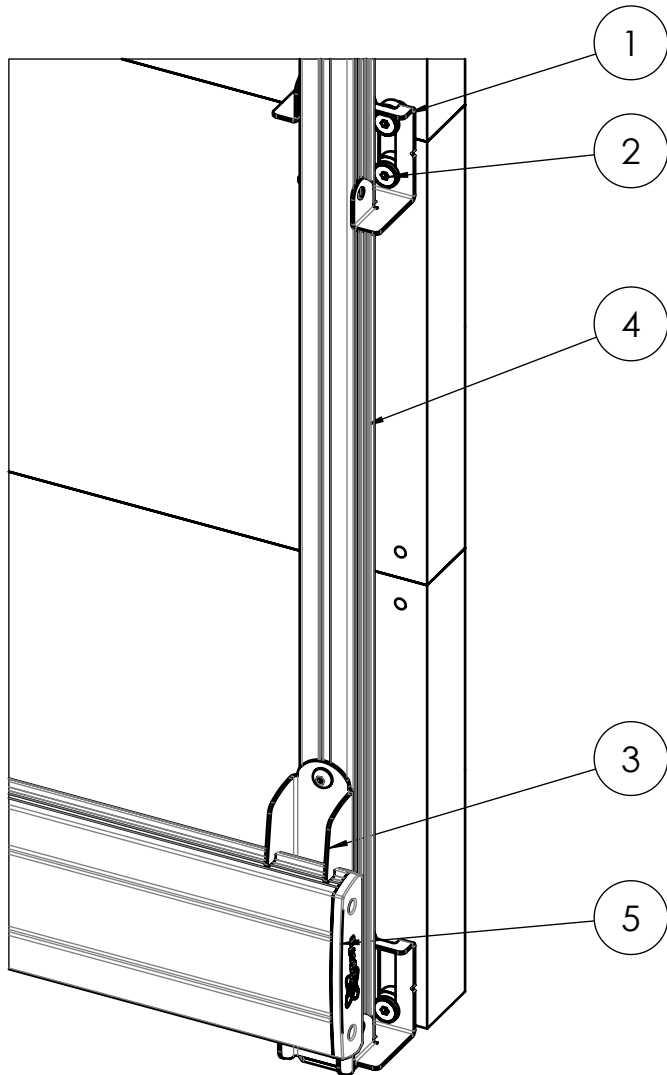


# Product data sheet

## INT8002 PHILIPS FHD 137BDL89115L/00 (5x5)

Dimensions in mm [inch]



ITEM NO.	PART NUMBER	DESCRIPTION	QTY.
1	PLA 8411	INTERFACE BRACKET (PHILIPS BDL)	16
2	PLA 8800	SLIDING BOLT (KIT)	9
3	PLS 8001	MOUNTING STRIPS	4
4	PLM 8030	PROFILE	4
5	PFB 3433	DISPLAY INTERFACE BAR	2

