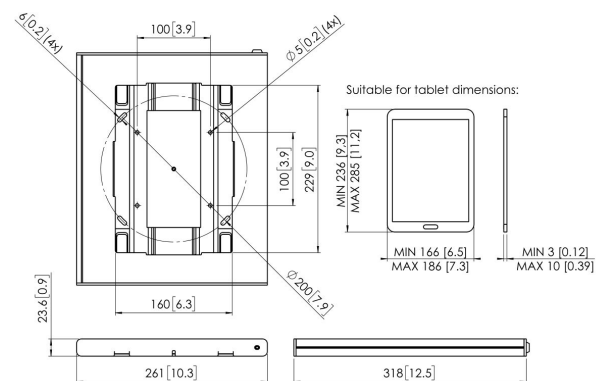
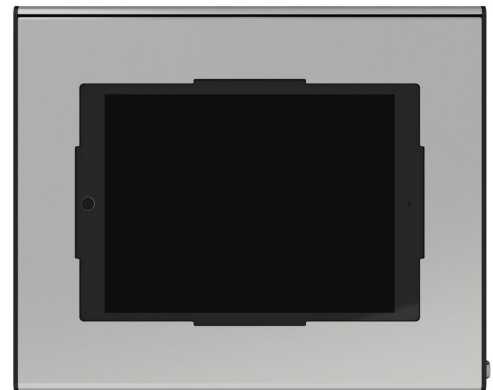




PTS 2010 Universal Tablet Holder TabLock

Safe enclosure for tablets

Tablets are a great way to provide information in public spaces, such as retail shops, museums, showrooms and exhibitions. However, they are easy to damage or steal, and there are so many different versions. Vogel's Professional developed the Universal TabLock® enclosure to protect a tablet while still allowing access to the touch screen. Because of the universal design, the Universal TabLock is perfect for iPads, Galaxy Tabs and any other tablet with a min. dimension of 236 x 166 x 3 mm and a max. dimension of 285 x 186 x 10 mm.





PTS 2010 Universal Tablet Holder TabLock



Specifications

Article number (SKU)	7495264
Colour	Silver
EAN single box	8712285331183
Guarantee	5 years
Max. weight load (kg/Lbs)	3 / 6.61
Tablet Brand and Model(s)	Universal 9-10 inch
Tablet Home button Hidden or Accessible	Both

VOGEL'S HOLDING BV (©)

All rights reserved.
Subject to printing errors,
technical and price
amendments.

Date: 2023-01-28