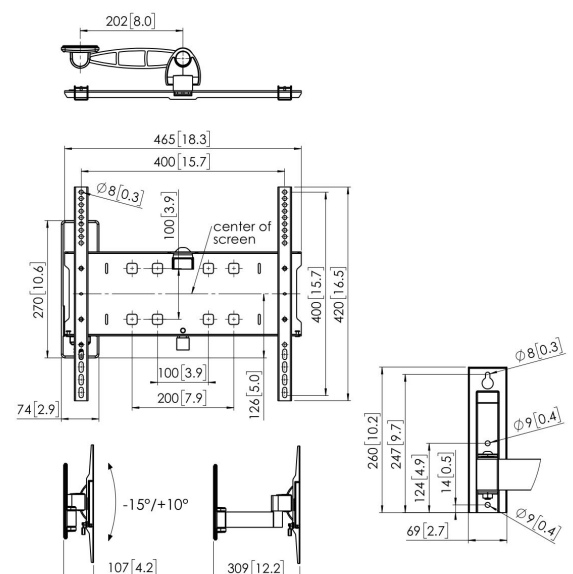




PFW 3030 Display Wall Mount turn & tilt

The safe and elegant PFW 3000 Series is designed with hospitality content in mind.





PFW 3030 Display Wall Mount turn & tilt



Specifications

Article number (SKU)	7330300
Colour	Black
EAN single box	8712285335167
Product size	M
TÜV certified	Yes
Tilt	Tilt -15°/+10°
Turn	Up to 120°
Guarantee	5 years
Min. screen size (inch)	39
Max. screen size (inch)	55
Max. weight load (kg/Lbs)	35 / 77.16
Min. hole pattern	100mm x 100mm
Max. hole pattern	400mm x 400mm
Max. bolt size	M8
Max. height of interface (mm)	420
Max. width of interface (mm)	465
Fischer inside	Yes
Levelling function	Post-installation horizontal levelling
Lockable	True
Lock options	Lock included / integrated
Max. distance to the wall (mm / inch)	309 / 12.17
Max. horizontal hole pattern (mm)	400
Max. screen size (inch)	55
Max. vertical hole pattern (mm)	400
Min. distance to the wall (mm / inch)	107 / 4.21
Min. horizontal hole pattern (mm)	100
Min. screen size (inch)	39
Min. vertical hole pattern (mm)	100
Number of pivot points	2
Universal or fixed hole pattern	Universal

VOGEL'S HOLDING BV (©)

All rights reserved.
Subject to printing errors,
technical and price
amendments.

Date: 2023-01-30



Vogel's. For Sure.