



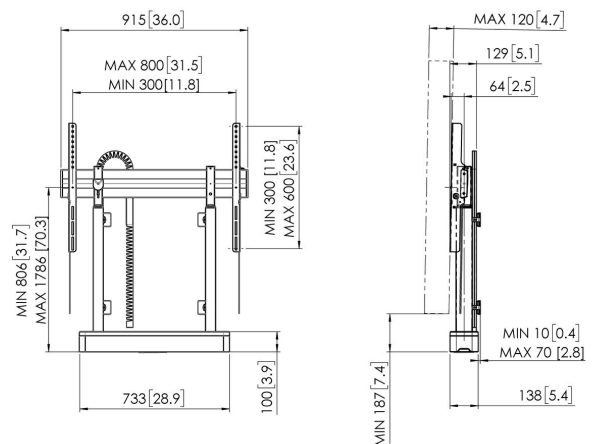
## RISE 2005 Motorized Display Lift floor-wall Solution 50 mm/s (white, EU)

### Key Benefits

- Height adjustment range of no less than 980 mm
- Movement speed of 50 mm/s for the heaviest screens with QuickRise™
- TÜV, CE, UL and GS certified
- Anti-collision on the display lift prevents damage

### Adjust your screen to the right height smoothly and safely

The RISE 2005 motorized display and TV lift floor-wall solution holds interactive flat panel displays up to 98" (max. 140 kg). Effortlessly reach the right height at a speed of 50 mm/s with QuickRise™. A travel range of 980 mm is suitable for very low or high positions. Safety first The floor and wall mounting ensures that it will be solidly fixed in place in any room. All Vogel's display lifts comply with the highest international safety standards of TÜV, CE, UL and GS. Although they are programmed for 86-inch screens, these motorized lift systems can be used for most 98" monitors. A small software adjustment (height adjustment) may occasionally be required (see user manual).





## **RISE 2005 Motorized Display Lift floor-wall Solution 50 mm/s (white, EU)**

# Specifications

Article number (SKU)	7320051
Colour	White
EAN single box	8712285357206
Height	1118
Width	915
Depth	120
TÜV certified	Yes
Guarantee	5 years
Min. screen size (inch)	43
Max. screen size (inch)	98
Certifications	CE
Max. distance to floor - center display (mm)	1786
Max. horizontal hole pattern (mm)	800
Max. screen size (inch)	98
Max. vertical hole pattern (mm)	600
Min. distance to floor - center display (mm)	806
Min. horizontal hole pattern (mm)	300
Min. screen size (inch)	65
Min. vertical hole pattern (mm)	300
Motorized	Yes
Height adjustment (mm)	980

VOGEL'S HOLDING BV (©)

All rights reserved.  
Subject to printing errors,  
technical and price  
amendments.

Date: 2023-08-11



**Vogel's. For Sure.**