

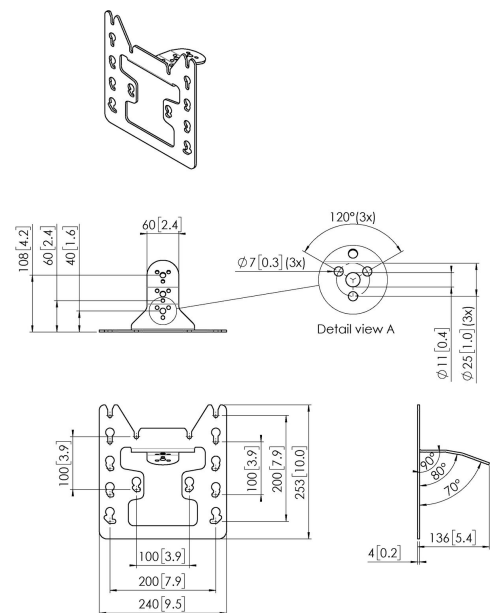


PFI 3045 Display Interface VESA 200x100/200x200

Key Benefits

- Post-installation levelling
- Tilt function in steps

The PFI 3045 display interface is a part of the modular Connect-it system.





PFI 3045 Display Interface VESA 200x100/200x200



Specifications

Article number (SKU)	7230450
Colour	Black
EAN single box	8712285343889
Height	253
Width	240
Depth	140
TÜV certified	Yes
Tilt	Tilt up to 20°
Guarantee	5 years
Max. weight load (kg/Lbs)	30 / 66.14
Max. bolt size	M8
Max. height of interface (mm)	253
Max. width of interface (mm)	240
Max. screen size (inch)	43
Min. screen size (inch)	19

VOGEL'S HOLDING BV (©)

All rights reserved.
Subject to printing errors,
technical and price
amendments.

Date: 2023-01-29



Vogel's. For Sure.