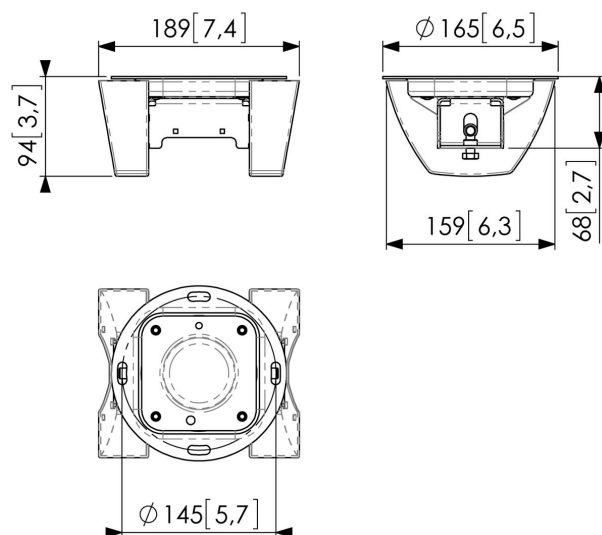




PUC 1065 Ceiling Plate turn

The PUC 1065 ceiling plate is part of the modular Connect-it system. You can use this ceiling plate to create a ceiling solution for medium to large-sized displays up to 80kg (160kg back-to-back). This ceiling plate is suitable for flat ceilings and has a unique turning ability to adjust the position of the display.





PUC 1065 Ceiling Plate turn

Specifications

Article number (SKU)	7210650
Colour	Black
EAN single box	8712285324123
TÜV certified	Yes
Turn	Up to 360°
Guarantee	5 years
Max. weight load (kg/Lbs)	80 / 176.37
Ceiling plate options	Flat (turn function)
Ceiling types	Flat ceiling
Height options	Fixed height

VOGEL'S HOLDING BV (©)

All rights reserved.
Subject to printing errors,
technical and price
amendments.

Date: 2023-01-14



Vogel's. For Sure.