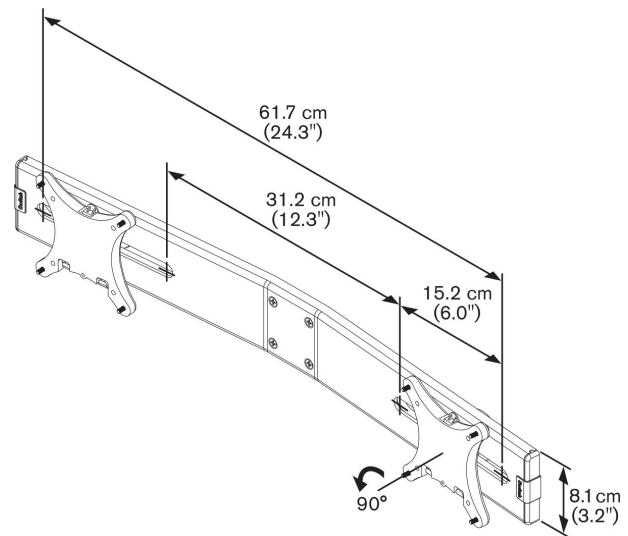




## PFA 9102 Dual Monitor Adapter for PFD Mounts

More and more people are using two monitors at a time. This is very easy to install with the PFA 9102.





## PFA 9102 Dual Monitor Adapter for PFD Mounts

# Specifications

Article number (SKU)	7191024
Colour	Silver
EAN single box	8712285318382
Guarantee	10 years
Max. weight load (kg/Lbs)	12 / 26.46
Max. display width (mm)	580
Max. screen size (inch)	24
Min. screen size (inch)	10

VOGEL'S HOLDING BV (©)

All rights reserved.  
Subject to printing errors,  
technical and price  
amendments.

Date: 2023-02-08