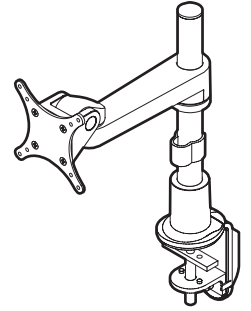
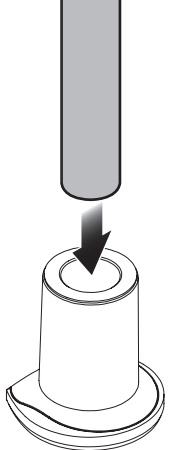
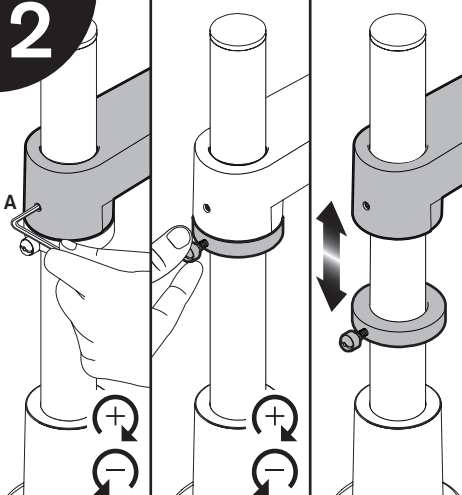
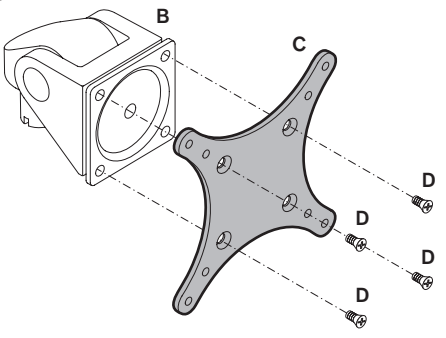
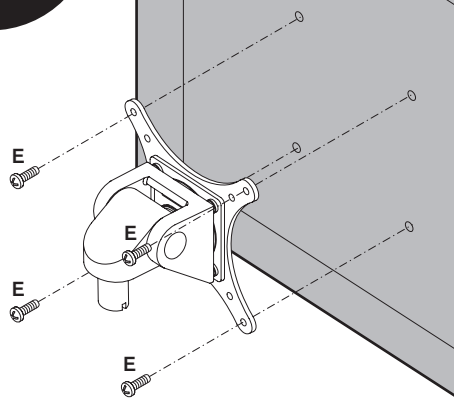
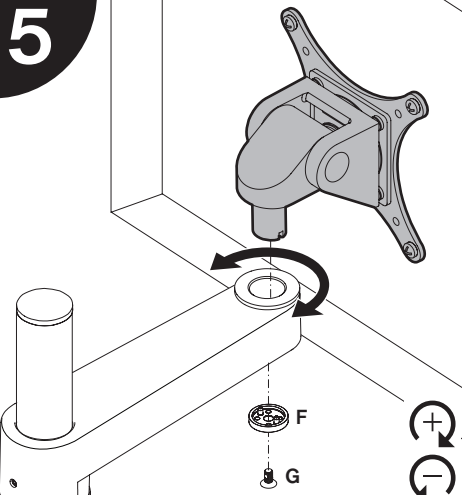
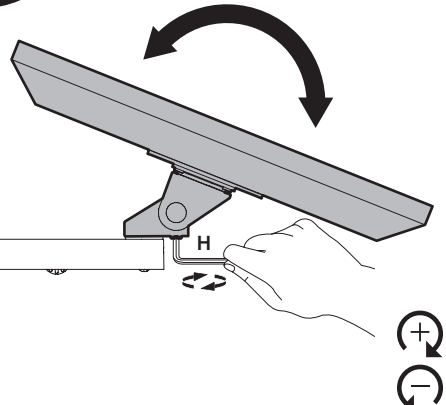
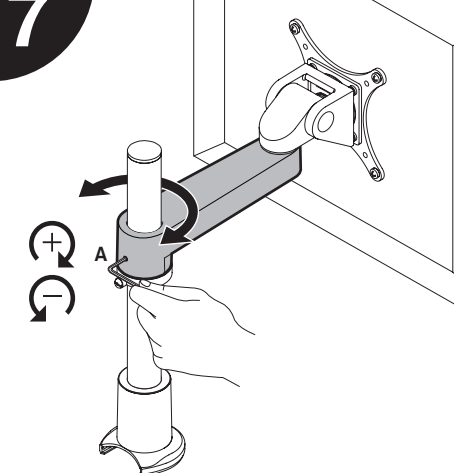
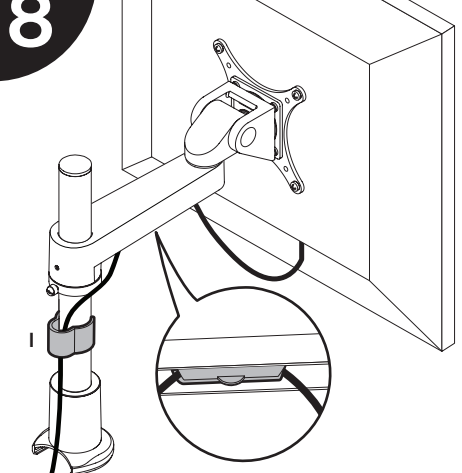




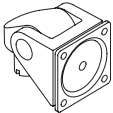


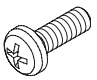
PFD 8522  
Installation Instructions

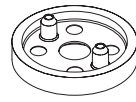

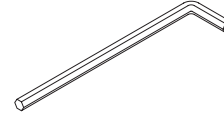



<p><b>1</b></p> 	<p><b>2</b></p> 	<p><b>3</b></p> 
<p><b>4</b></p> 	<p><b>5</b></p> 	<p><b>6</b></p> 
<p><b>7</b></p> 	<p><b>8</b></p> 	<p style="text-align: center;"></p> <p style="text-align: center;"><a href="http://www.vogels.com">www.vogels.com</a></p>



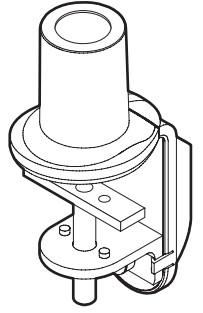
## PFD 8522 Parts List

ITEM	DESCRIPTION / PART NO.	QUANTITY
A	<b>3/32" Allen Wrench</b> 700146	1
		
B	<b>Monitor Tilter</b> 405397	1
		
C	<b>75/100mm VESA® Adapter Plate</b> 1 105587	
		
D	<b>10-32 x 3/8" Phillips Flat Head Screw</b> 1 702281 (4-pack)	
		
E	<b>M4 x 12mm Phillips Pan Head Screw</b> 1 702096 (4-pack)	
		

ITEM	DESCRIPTION / PART NO.	QUANTITY
F	<b>Dog Washer</b> 105189	1
		
G	<b>10-32 x 3/8" FPhMS w/Lock Patch</b> 1 705198	
		
H	<b>7/32" Allen Wrench</b> 701127	1
		
I	<b>Cable Clip</b> 104533	1
		



# FLEXmount™ Installation Instructions



### Desk Clamp

- 1
- 2
- 3

### Thru-Desk

### Wall Mount

- 1
- 2

\* Hardware not included.

### Reverse Wall Mount

- 1
- 2

\* Hardware not included.

### Grommet Hole

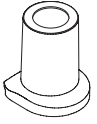
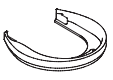
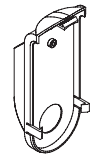
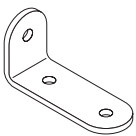
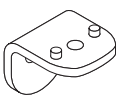
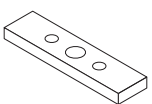
### Side Bolt

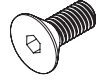
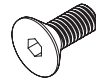
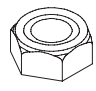

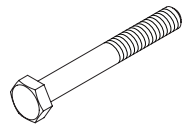
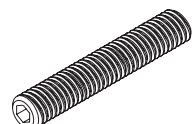
- 1
- 2

\* Hardware not included.



## FLEXmount™ Parts List

ITEM	DESCRIPTION / PART NO.	QUANTITY
A	 Mount Cup 406715	1
B	 Mount Cup Rubber Sole 105553	1
C	 Cable Management 105538	1
D	 Large "L" Bracket 701117	1
E	 Small "L" Bracket 701116	1
F	 Rectangular Spacer 701544	1

ITEM	DESCRIPTION / PART NO.	QUANTITY
G	 3/8-16 x 1" Flat Socket Cap Screw 701124	1
H	 3/8-16 x 7/8" Flat Socket Cap Screw 701799	1
I	 3/8-16 Nylon Stop Nut 701418	1
J	 3/8-16 x 7/8" Button Socket Cap Screw 701122	1
K	 3/8-16 x 2-1/2" Hex Head Bolt 700268	1
L	 1/2-13 x 3" Socket Set Screw 701126	1