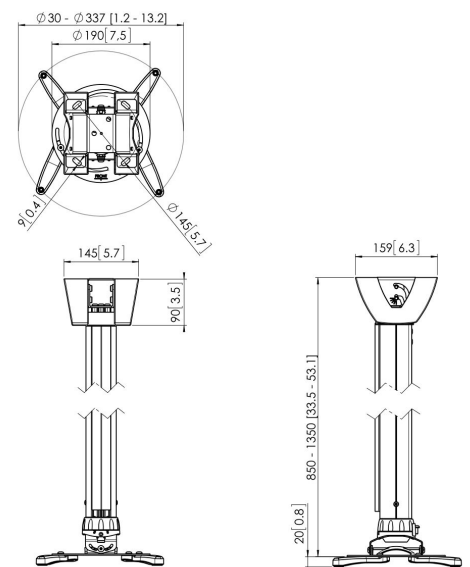




## PPC 1585 Projector Ceiling Mount (silver)

The PPC 1585 is a height adjustable projector mount specially designed for the latest generation of projectors weighing up to 20 kg. This projector interface is equipped with fine tune adjustability for precise alignment to the projection surface. Once aligned, the projector stays in position. Turning the unique friction ring will eliminate all play from the interface connections, making the mount a solid and very stable solution.





## PPC 1585 Projector Ceiling Mount (silver)



### Specifications

Article number (SKU)	7015854
Colour	Silver
EAN single box	8712285325120
TÜV certified	Yes
Tilt	Tilt up to 15°
Turn	Up to 360°
Guarantee	5 years
Max. weight load (kg/Lbs)	20 / 44.09
Fischer inside	Yes
Max. distance to ceiling (mm)	1350
Min. distance to ceiling (mm)	850
Range (diameter)	30 - 337 mm
Roll	15

VOGEL'S HOLDING BV (©)

All rights reserved.  
Subject to printing errors,  
technical and price  
amendments.

Date: 2023-01-25



**Vogel's.** For Sure.