

# KRAMER



## Installation Instructions

MODEL:

**TS-UC, TS-2UC/U, TS-2UC/DE,  
TS-2UC/US** USB Chargers for Single and  
Dual Power Socket Openings



P/N: 2900-301054



Rev: 4



### SAFETY WARNING

Disconnect the unit from the power supply before opening and servicing

For the latest information on our products and a list of Kramer distributors, visit our Web site where updates to these installation instructions may be found.

We welcome your questions, comments, and feedback.

[www.kramerAV.com](http://www.kramerAV.com)  
[info@kramerel.com](mailto:info@kramerel.com)

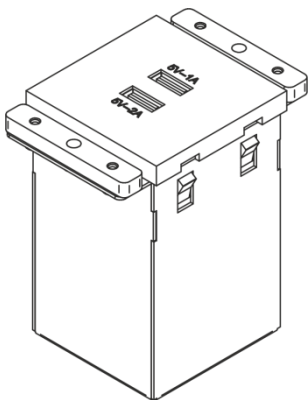
# The Kramer TS-UC, TS-2UC/U, TS-2UC/DE, TS-2UC/US USB Chargers for Single and Dual Power Socket Openings

Congratulations on purchasing your Kramer **TS-UC, TS-2UC/U, TS-2UC/DE, TS-2UC/US** USB Chargers.

The following USB chargers are available:

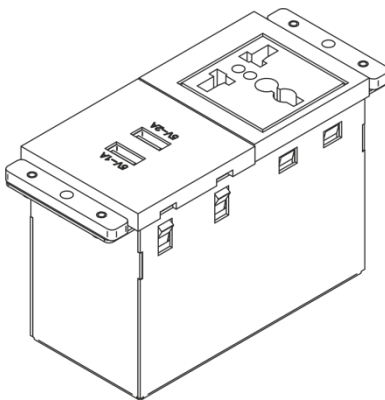
**TS-UC:** includes 2 USB chargers (1A and 2.4A).

Fits into a single power socket opening.



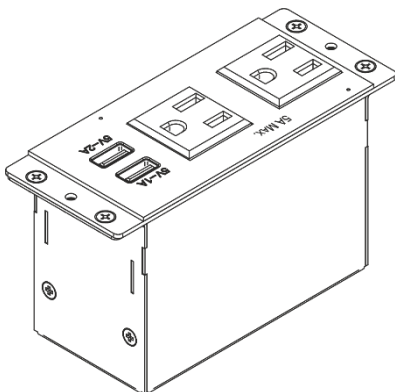
**TS-2UC/U:** includes 2 USB chargers (1A and 2.4A) and a Universal power socket.

Fits into a dual power socket opening.



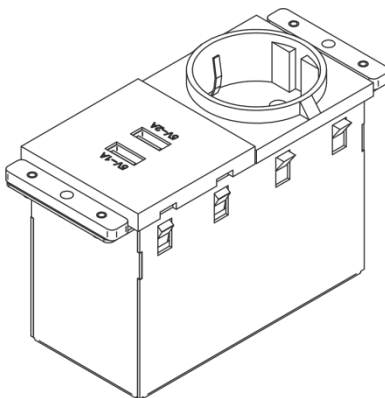
**TS-2UC/US:** includes 2 USB chargers (1A and 2.4A) and two US power sockets.

Fits into a dual power socket opening.



**TS-2UC/DE:** includes 2 USB chargers (1A and 2.4A) and a German power socket.

Fits into a dual power socket opening.



## Installing the TS-UC, TS-2UC/U, TS-2UC/DE, TS-2UC/US USB Chargers

To install the TS-UC, TS-2UC/U, TS-2UC/DE, TS-2UC/US USB Chargers:

**Step 1:** Place and align the Kramer TS-UC, TS-2UC/U, TS-2UC/DE, TS-2UC/US under the opening.

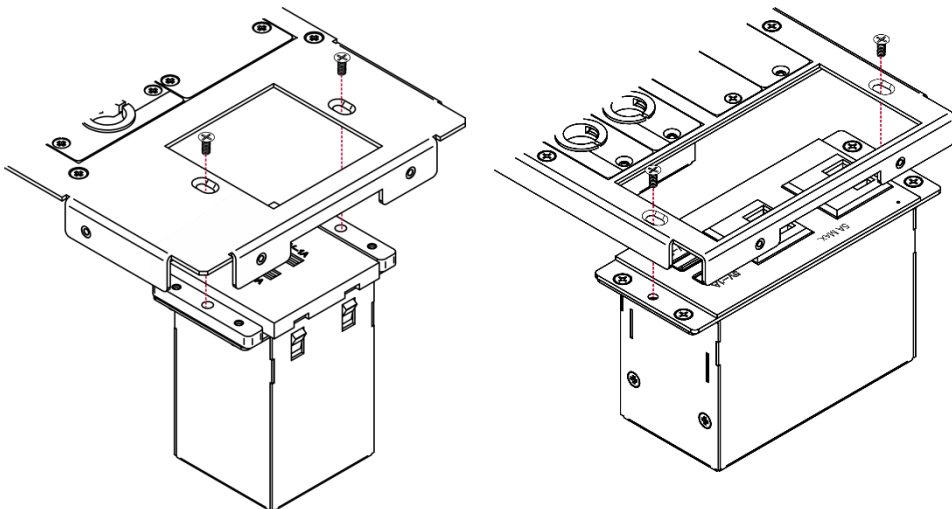


Figure 1: TS-UC, TS-2UC/U, TS-2UC/DE, TS-2UC/US Installation, Step 1

**Step 2:** Insert the two screws (supplied with the kit) to fix the Kramer insert in place, and tighten them.

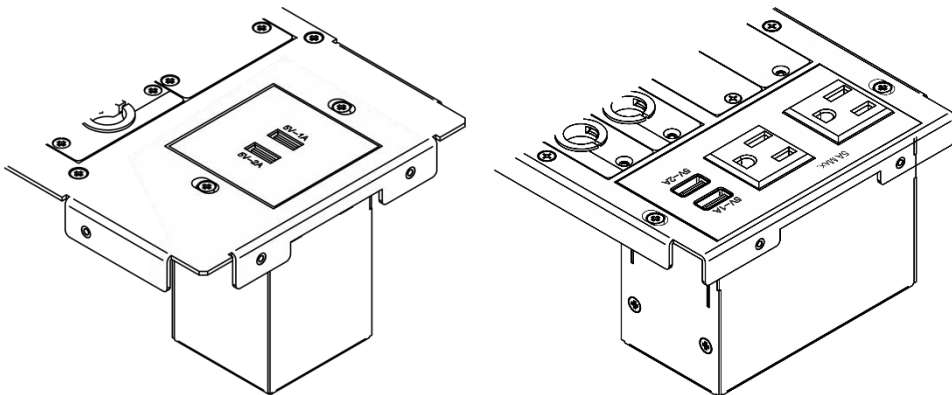


Figure 2: Tighten the Frame, Step 2

## Connect the power

Connect the power cord to **TS-UC**, **TS-2UC/U**, **TS-2UC/DE**, **TS-2UC/US** and plug it into the mains electricity.

### Safety Instructions



- Caution:** There are no operator serviceable parts inside the unit.
- Warning:** Use only the power cord that is supplied with the unit.  
Do not open the unit. High voltages can cause electrical shock! Servicing by qualified personnel only.
- Warning:** Disconnect the power and unplug the unit from the wall before installing.  
See [www.KramerAV.com](http://www.KramerAV.com) for updated safety information.

### Technical Specifications

|   |                               |   |
|---|-------------------------------|---|
| Ports   | 2 USB Ports                   | 5V, 1A and 5V, 2.4A on female USB-B connectors for charging devices |
| Power   | <b>TS-UC</b>                  | 100-240V AC, 50/60Hz, 5A<br>Maximum 5A                              |
|   | Universal ( <b>TS-2UC/U</b> ) | 100-240V AC, 50/60Hz, 5A<br>Maximum 5A per power outlet             |
|   | Germany ( <b>TS-2UC/DE</b> )  | 100-240V AC, 50/60Hz, 5A<br>Maximum 5A per power outlet             |
|   | USA ( <b>TS-2UC/US</b> )      | 100-240V AC, 50/60Hz, 5A<br>Maximum 5A/2.5A per power outlet        |
| Environmental Conditions  | Operating Temperature         | 0° to +40°C (32° to 104°F)  |
|   | Storage Temperature           | -40° to +70°C (-40° to 158°F)                                       |
|   | Humidity                      | 10% to 90%, RHL non-condensing                                      |
| Regulatory Compliance   | Safety                        | CE, UL  |
|   | Environmental                 | RoHs, WEEE  |
| Enclosure   | Type                          | Aluminum  |
|   | Shipping Dimensions (W, D, H) | Dual: 14.5cm x 9.6cm x 6.2cm (5.71" x 3.8" x 2.44")                 |
|   | Net Weight                    | Single: 0.3kg (0.66lbs)<br>Dual: 0.4kg (0.88lbs)                    |
|   | Shipping Weight               | Single: 0.33kg (0.73lbs)<br>Dual: 0.43kg (0.95lbs)                  |
| Specifications are subject to change without notice at <a href="http://www.kramerav.com">www.kramerav.com</a> |                               |   |