

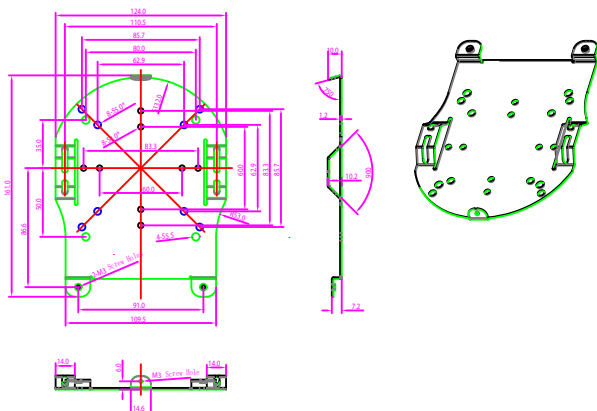
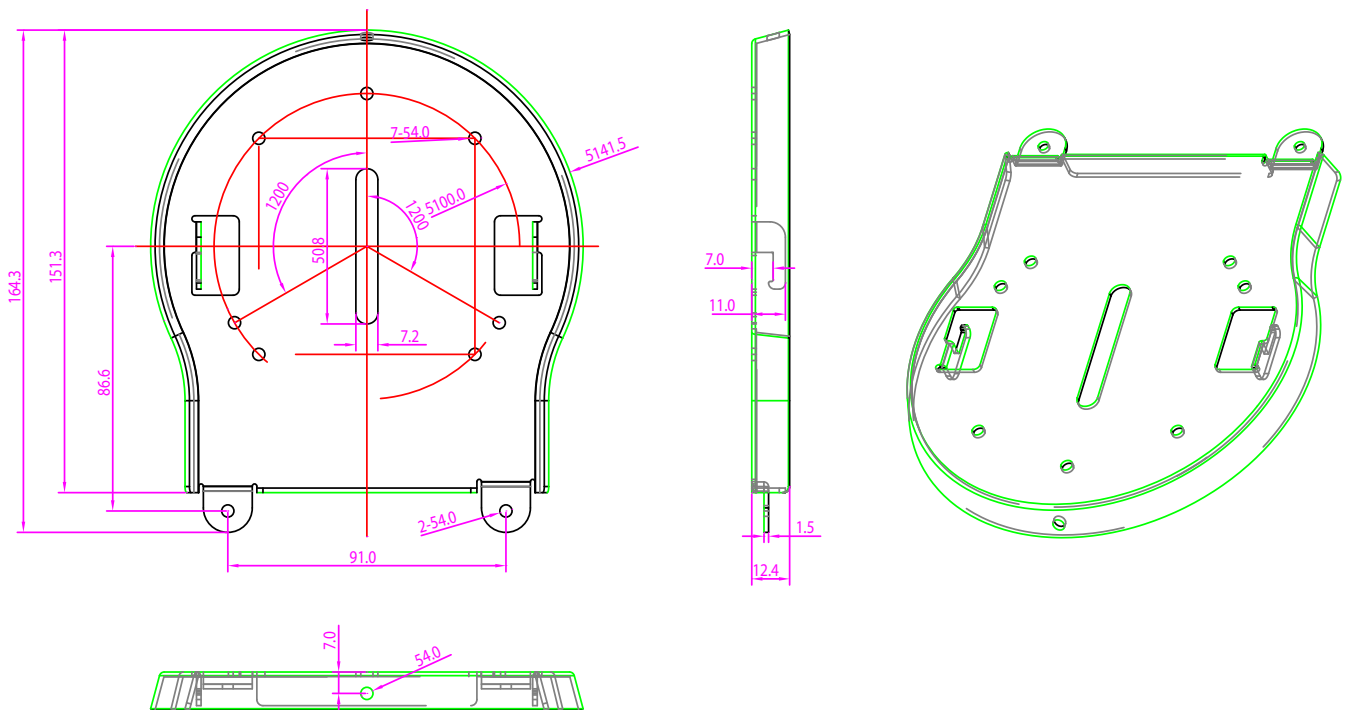
SPEC SHEET

UNITE® 150 Ceiling Mount Bracket, 910-2100-204
 UNITE® 150 Wall Mount Bracket, 910-2100-104

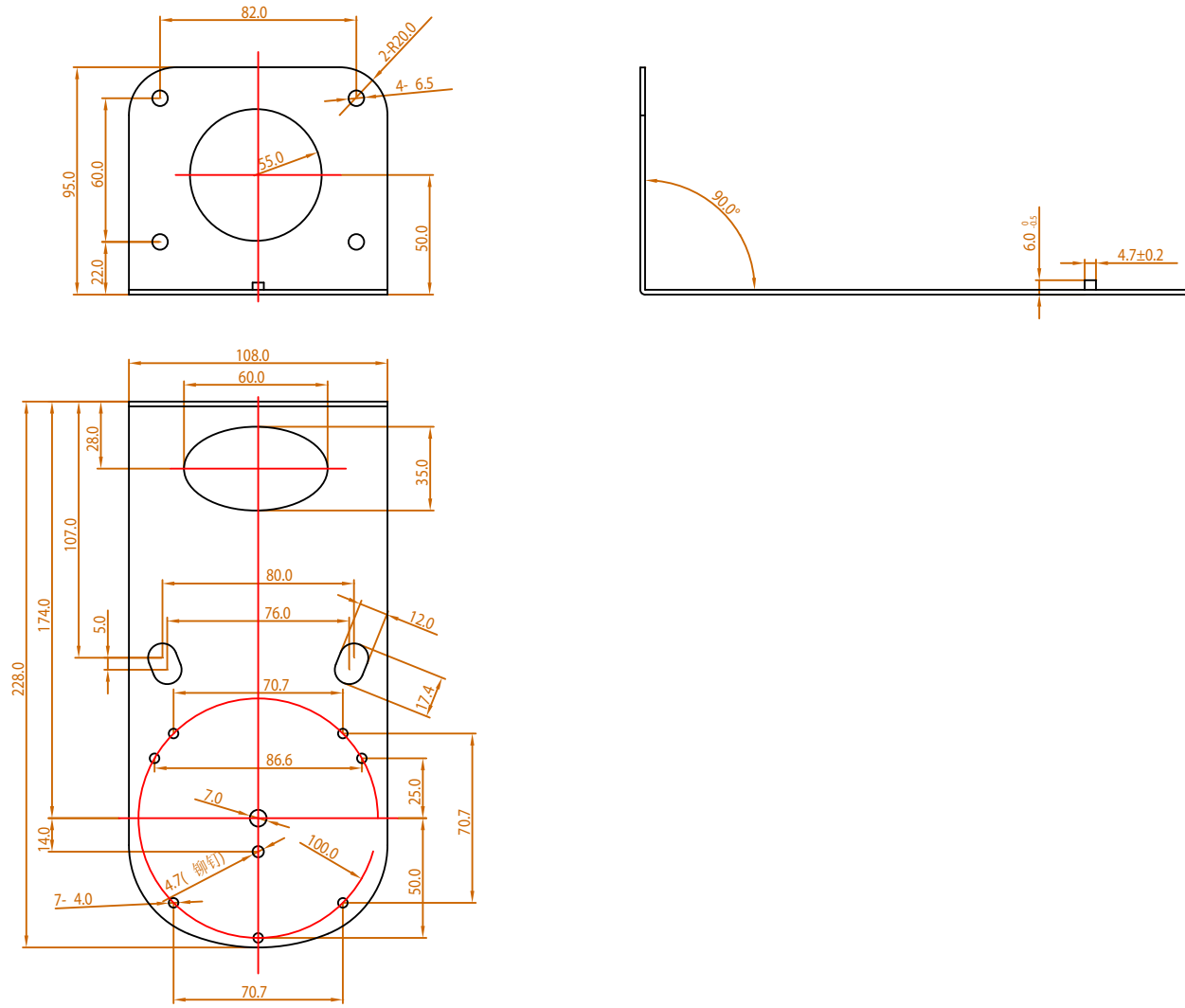
UNITE 150 CEILING AND WALL MOUNTS SPECIFICATION SHEET

This Specification Sheet illustrates rough-in details of the ClearOne UNITE 150 Wall and Ceiling Mount Brackets, models 910-2100-104 and 910-2100-204.

Ceiling Mount Bracket



Wall Mount Bracket



CLEARONE LOCATIONS

Headquarters
 5225 Wiley Post Way
 Suite 500
 Salt Lake City, UT 84116

US & Canada
Tel: 801.975.7200
Toll Free: 800.945.7730
Fax: 801.303.5711

International
Tel: +1.801.975.7200
e-mail:
 global@clearone.com

Sales
Tel: 801.975.7200
e-mail:
 sales@clearone.com

TechSupport
Tel: 801.974.3760
e-mail:
 collaborate.support@clearone.com