

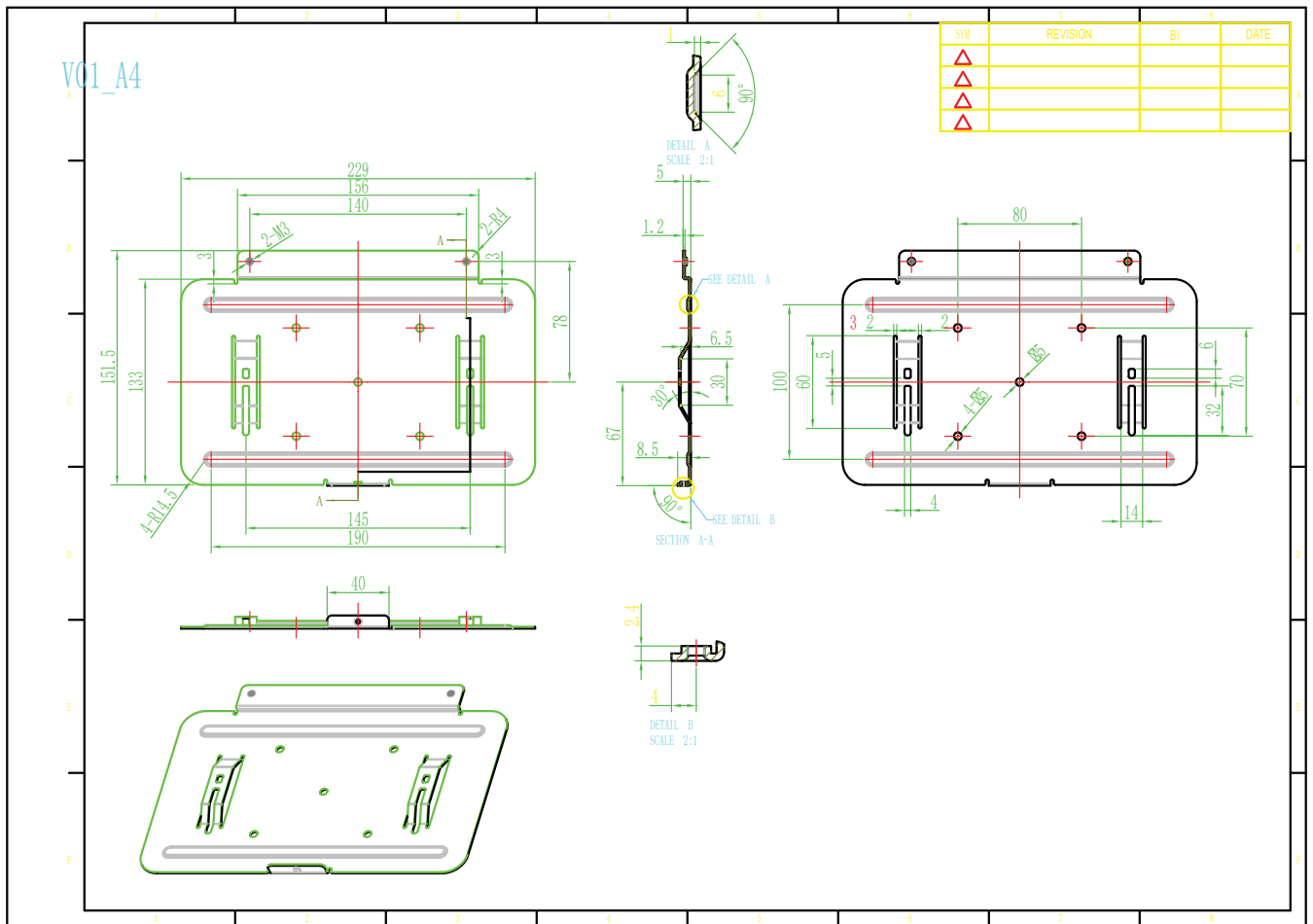
SPEC SHEET

UNITE® 200 Ceiling Mount Bracket, 910-2100-203
 UNITE® 200 Wall Mount Bracket, 910-2100-103

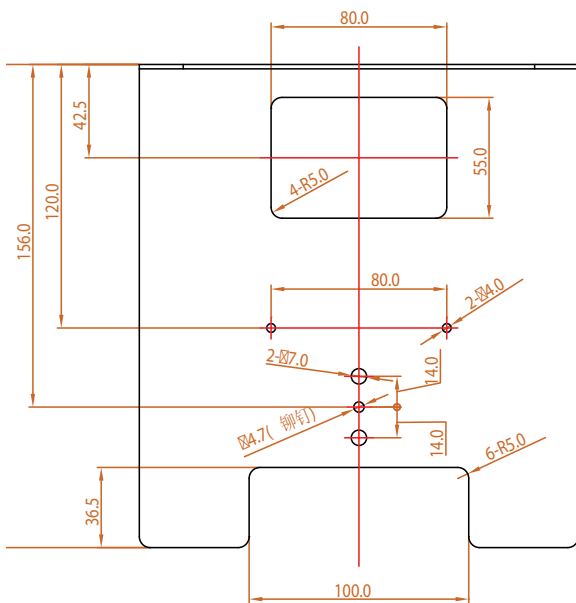
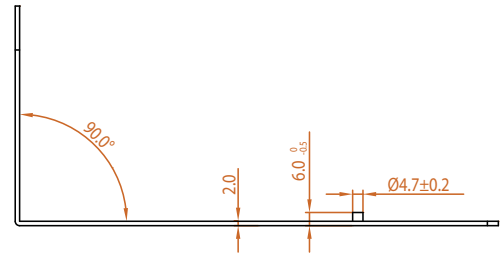
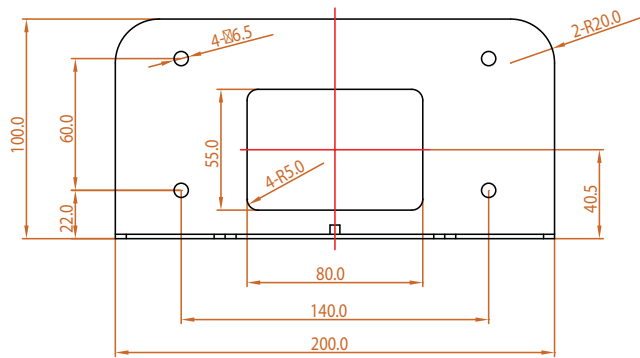
UNITE 200 CEILING AND WALL MOUNTS SPECIFICATION SHEET

This Specification Sheet details the dimensions of the ClearOne UNITE 200 Wall and Ceiling Mount Brackets, models 910-2100-203 and 910-2100-103.

Ceiling Mount Bracket Dimensions



Wall Mount Bracket Dimensions



Material: SPCC, thickness 2.0, s
 paint, black matte