

TMP-200 Telemedicine Workstation

The lightweight TMP-200 telemedicine cart provides the ease of use and mobility required for patient care in a healthcare facility. The redesigned TMP-200 offers a slim profile and roll about design that offers the mobility needed to move through hallways and between patient rooms.

The TMP-200 telemedicine cart is designed to integrate with today's technology to provide the best experience for providers and patients. The large work surface provides ample space for a keyboard or needed medical equipment. The large pullout drawer provides quick access to needed supplies.

In addition, the TMP-200 supports a single display up to 37" or dual displays up to 32". Manually adjust the height of the VESA to accommodate the display by installing the mount using the pre-drilled holes. An video camera shelf installs above the display to provide video conferencing capabilities. For Cisco Webex solutions, the AVTEQ DX80 mounting bracket easily installs the Webex DX80 board on the cart.

AVTEQ's telemedicine carts are easily cleaned using most commonly used hospital-grade, diluted, non-abrasive, and non-corrosive solutions including ammonia enzyme cleaners, hydrogen peroxide, bleach or alcohol solutions.

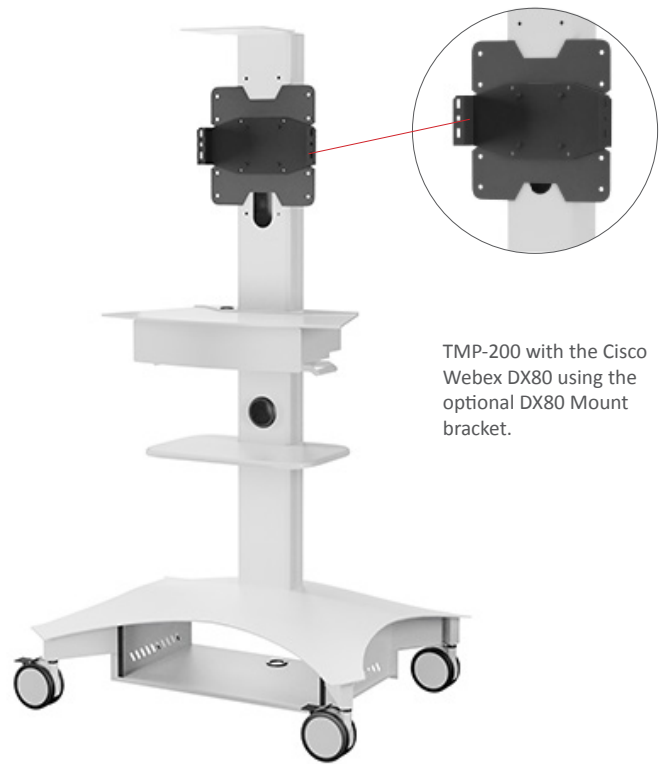
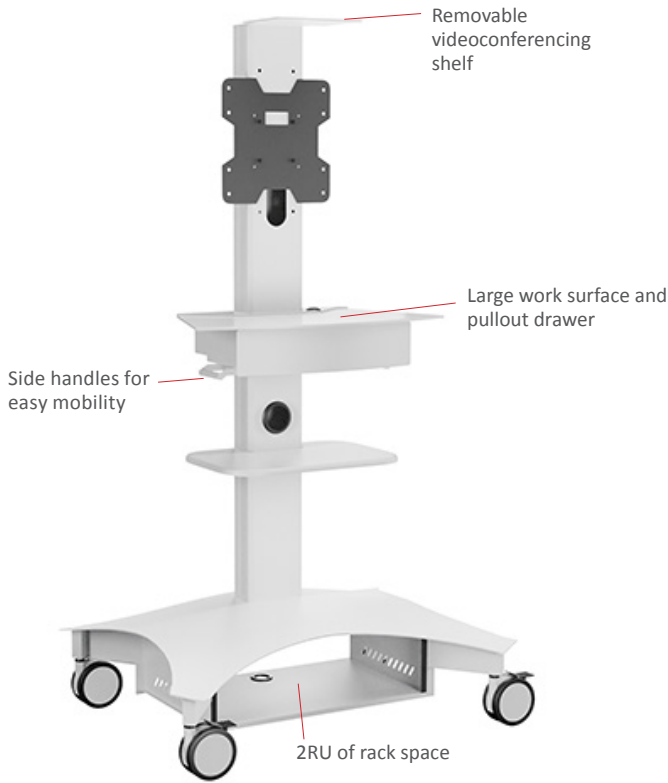
FEATURES

- Supports single up to 37" or dual displays up to 32"
- VESA mount
- 2RU
- Videoconferencing camera shelf
- One slide-out drawer
- Side handles for easy mobility
- 4" dual-wheel casters, two locking
- Rack-mounted medical surge protector
- Single and dual gang knockouts
- Cable management features
- Optional battery enclosure



Optional battery enclosure and battery

The TMP-200 provides an optional enclosure to hold a battery to power your telemedicine technology.



ACCESSORIES



Battery Enclosure
TMP-200-ENC



Battery
Call for details



Webex DX80 Mount
DX80-ADAPATER

SPECIFICATIONS

| PRODUCT | DIMENSIONS | | | | PART NUMBER |
|---------|--------------------|--------------|---------------------------|---------------------|-------------|
| | Cart | Work Surface | Drawer | Shelf | |
| TMP-200 | 61"H x 29"W x 24"D | 26"W x 13"D | 3"H x 14 1/2"W x 10 3/4"D | 17 1/2"W x 10 1/2"D | TMP-200 |



Call 800.285.8315 or visit AVTEQ.net

[facebook.com/avteq](https://www.facebook.com/avteq)
twitter.com/avteqinc
[youtube.com/avteq](https://www.youtube.com/avteq)
[linkedin.com/avteqinc](https://www.linkedin.com/avteqinc)