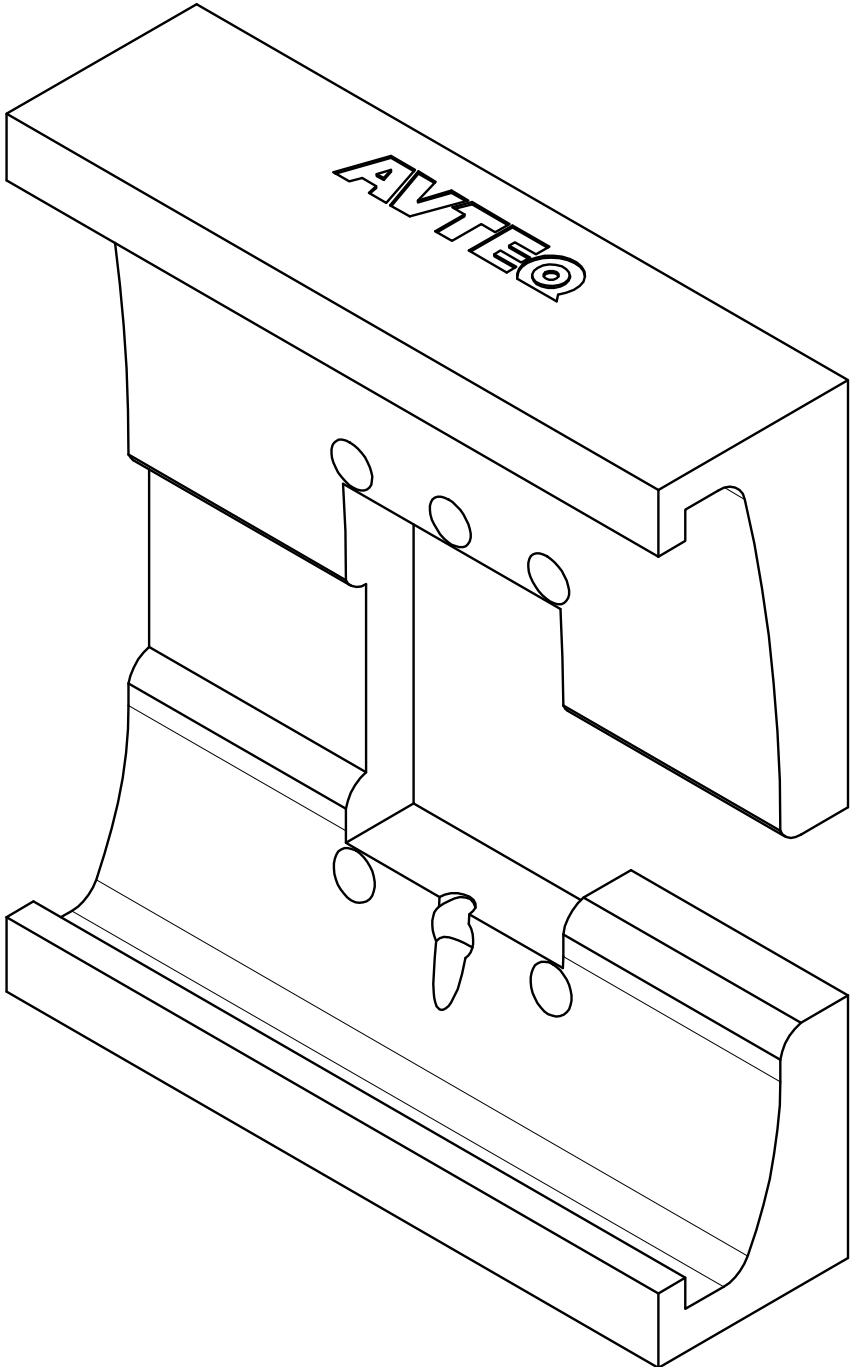




Install Guide

CN-SM

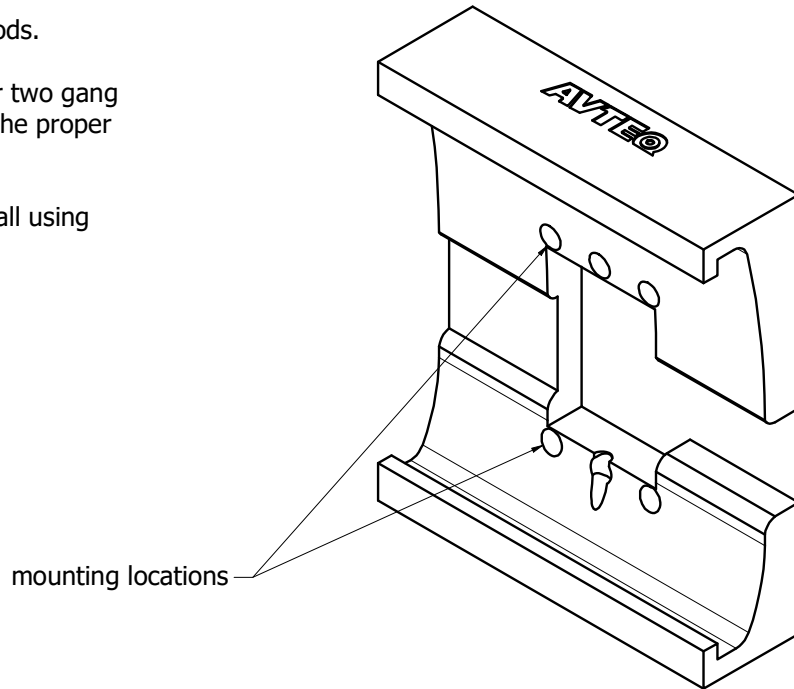


1

Mount the C10-SM in one of two methods.

A) Place the CN-SM over a one gang or two gang wall box. line up the holes and attach the proper hardware for your wall box.

B) mount the C10-SM directly to the wall using wall anchors.



2

Slide the Navigator Panel into the CN-SM from the right side(open side) of the mount until it stops. It should slide easily until the tabs on the back of the touch panel come into contact with the touch panel mount.

Use the 10 24 set screw provided to lock the tablet in place.

