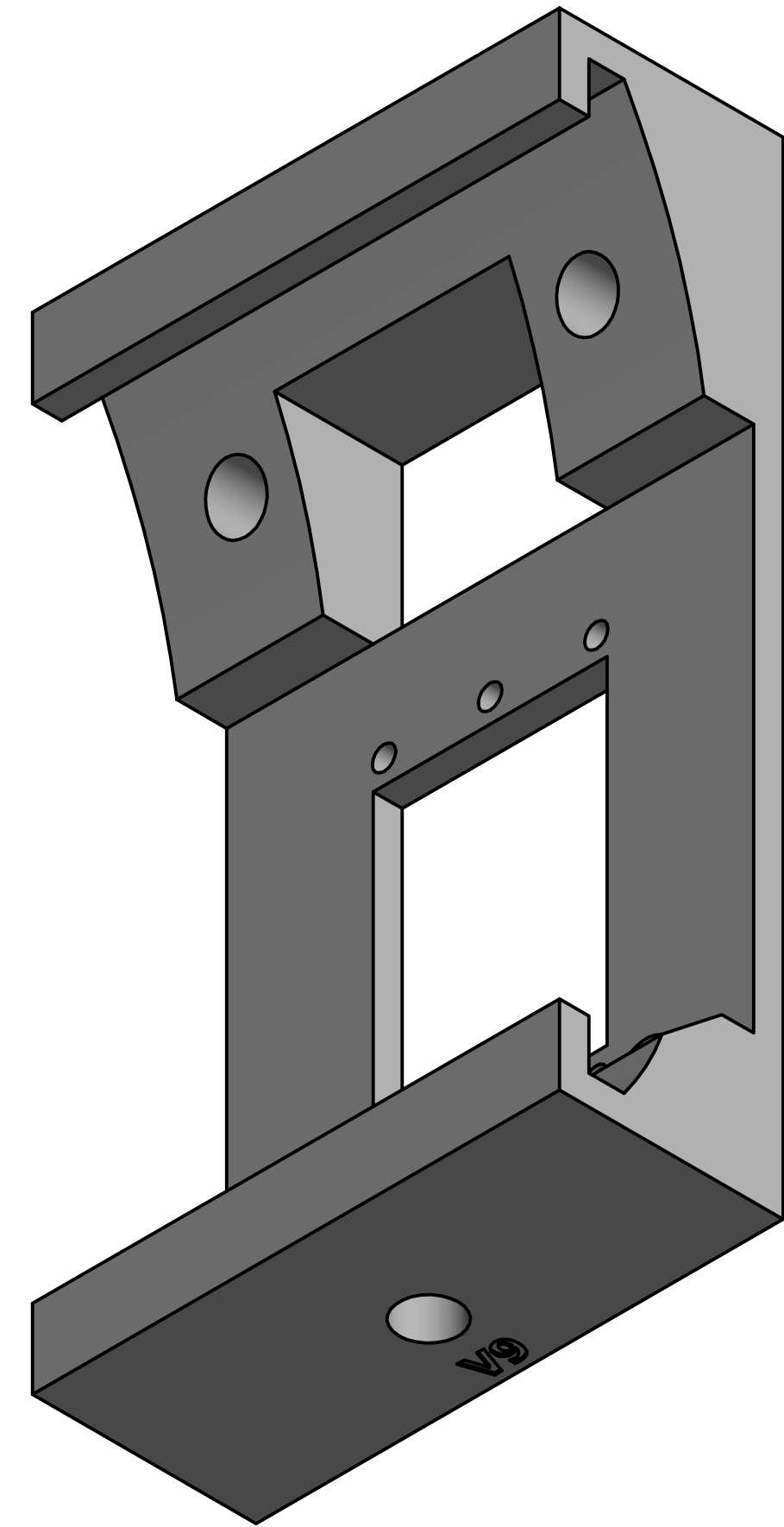
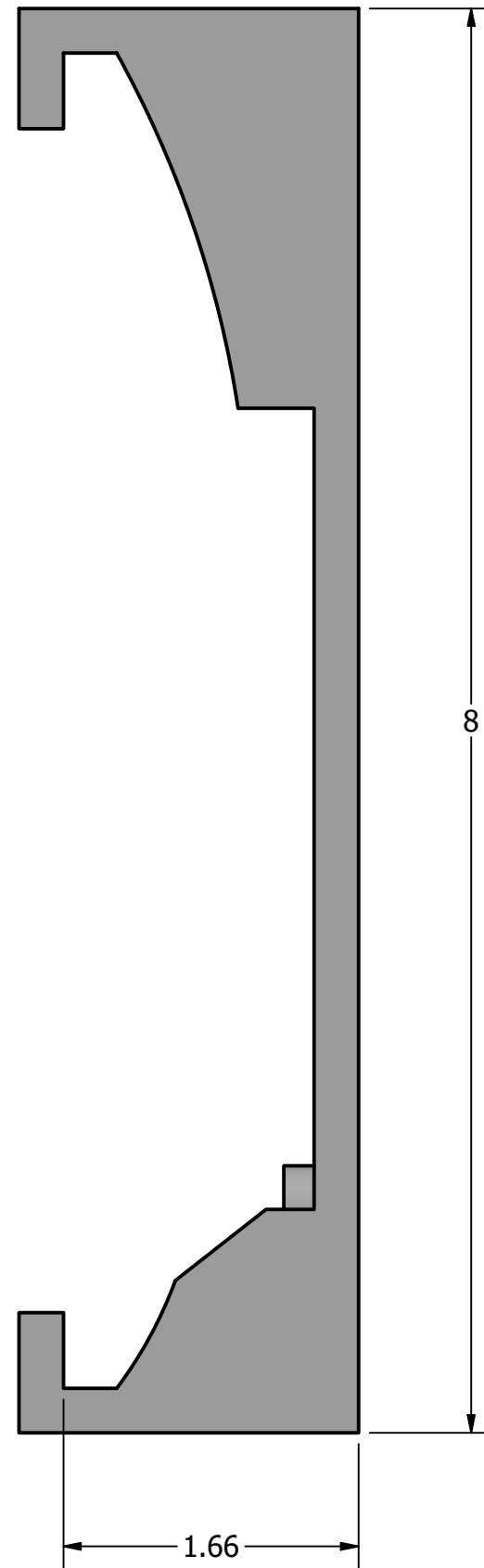
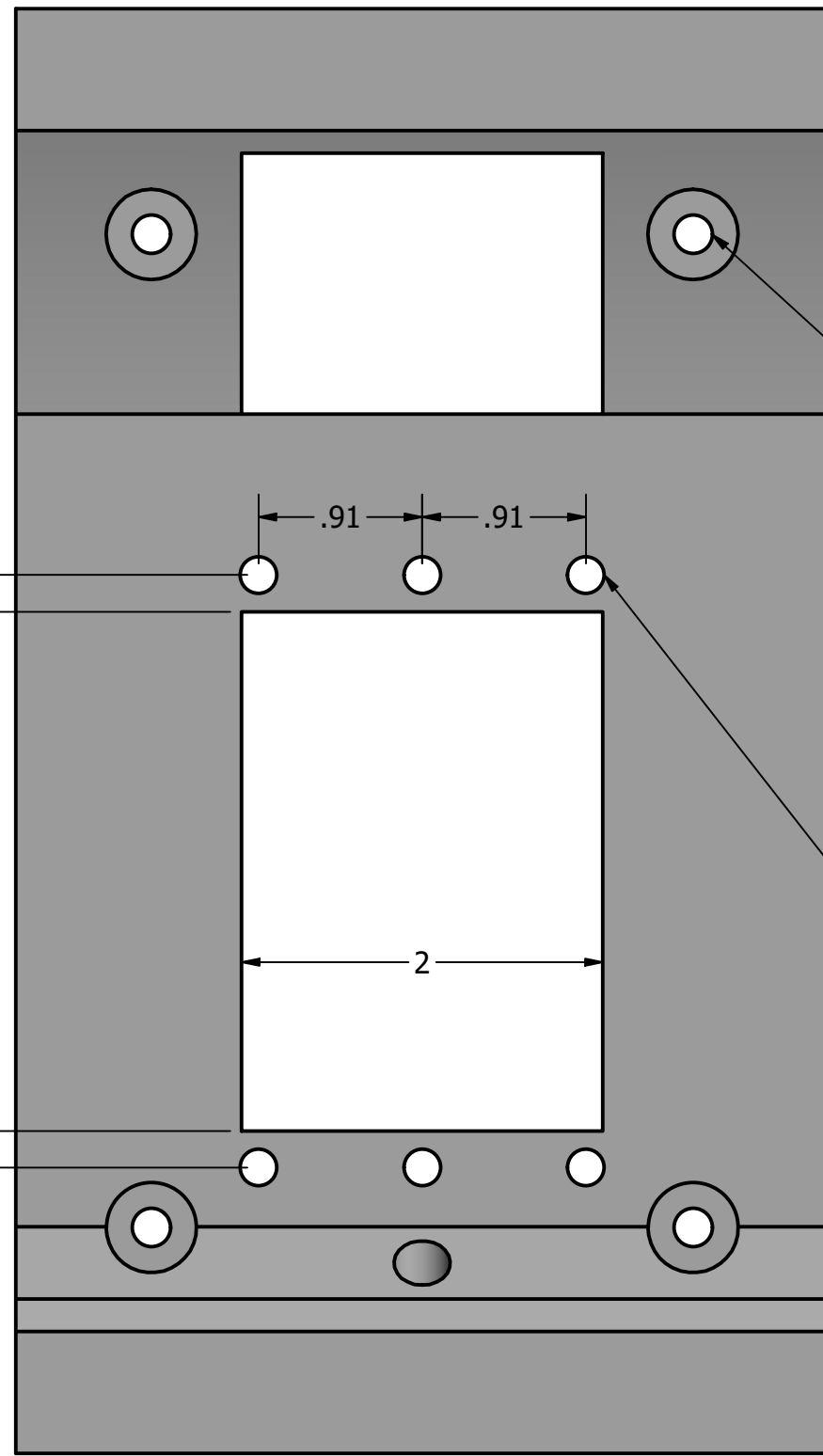


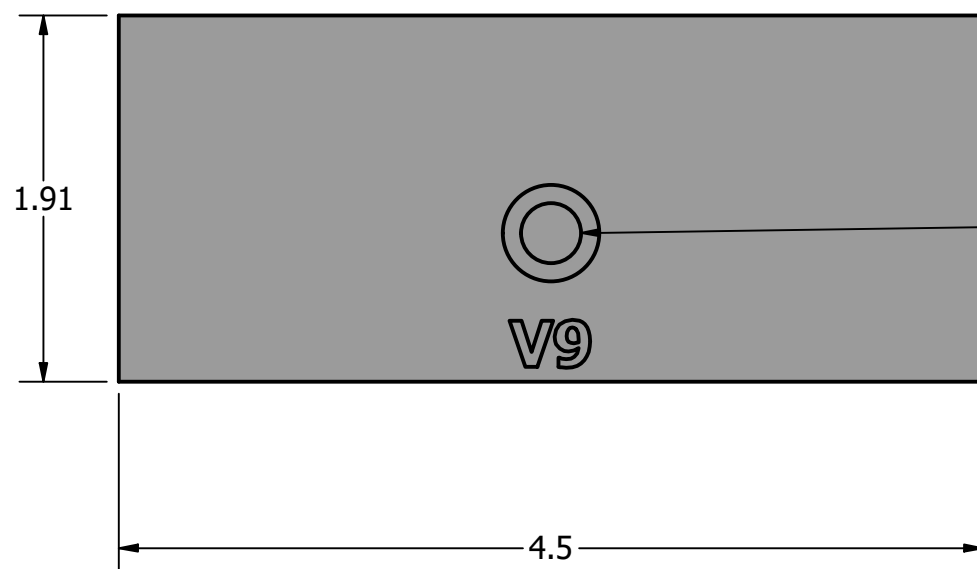
**Front**

**Side**

**Isometric**



**Bottom**




wall anchor locations

1 gang and 2 gang mounting locations

set screw

THIS DOCUMENT CONTAINS CONFIDENTIAL AND PROPRIETARY INFORMATION THAT CANNOT BE REPRODUCED OR DIVULGED, IN WHOLE OR IN PART, WITHOUT WRITTEN AUTHORIZATION FROM AVTEQ Inc. Dallas TX 75247, (214) 905 9001, AVTEQ.net

DRAWN jtapley	10/27/2020			
CHECKED				
QA		SIZE C	DWG NO C10-SM	REV 9
MFG		SCALE 1	Inches	SHEET 1 OF 1
APPROVED				