

IN DESK POWER MODULE PORT EL

Charge your device the smart way with the Port El range from ABL. Designed to fit into a standard 80mm port hole in the desk. Power, design, and connectivity right where you need it. The LED power light indicates that the smart charge is active. Available in White, Grey and Black, it is ideal for workplaces, bars and soft seating.



FEATURES

- The unit complies with IEC 60884-1:2002 + A1:2006 + A2:2013
- Elegant, aluminium ring is Silver; modular parts available in White, Grey and Black
- Available configuration: one socket, one smart charge and up to two media connections
- Designed to fit into 80mm port hole and desk thickness between 15 and 45mm
- Locking ring enables perfect fixation with no effort

IN DESK POWER MODULE
PORT EL

AVAILABLE SOCKET TYPES AND MEDIA CONNECTIONS

With the aim of fulfilling the demands of the modern working environment, ABL allows their customers to make their own, bespoke, power modules by selection of available power sockets, USB charge sockets and media connections. Certified quality and flexibility guarantee you have made the right choice.



TYPE F



TYPE G



USB CHARGE



RJ45
CAT6A



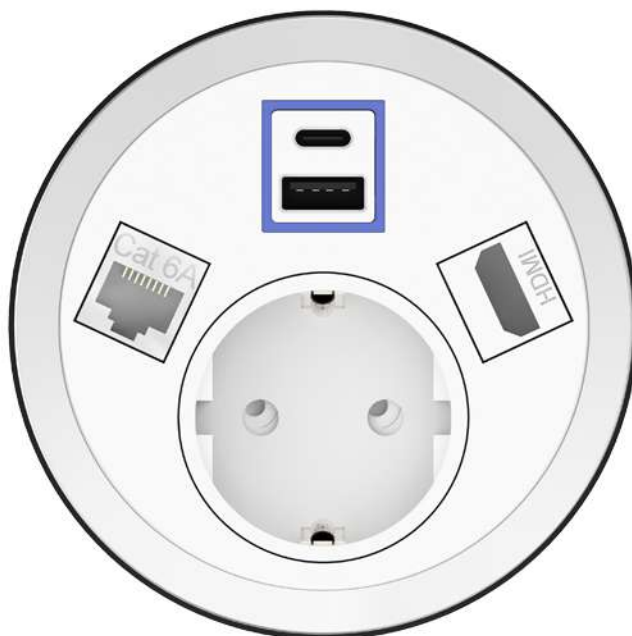
USB 3.0



HDMI



AUDIO



RJ45
CAT6A



USB
3.0



HDMI

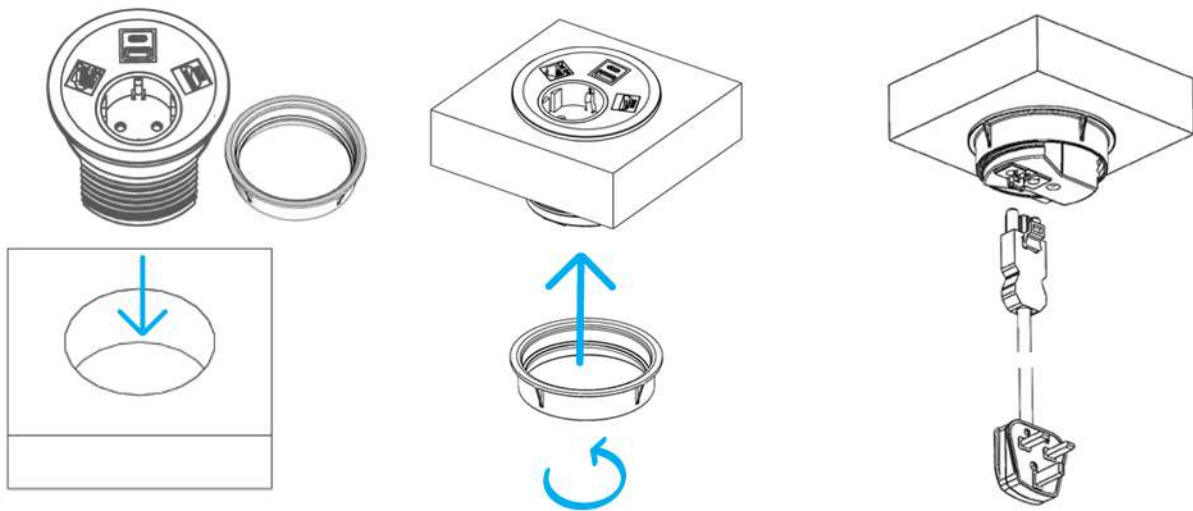


Audio 3.5mm
Female to Female

IN DESK POWER MODULE PORT EL

INSTALLATION INSTRUCTIONS

Make $\varnothing 80\text{mm}$ cut-out. Ensure that there is a sufficient clearance, 150mm below surface and 30 mm between the cut-out edge and the edge of the work surface.



1. Remove the locking ring and place the module in the desk cut-out

2. Whilst twisting the locking ring, set up module orientation

2. Connect the mains lead with the 3 Pole Connector

DIMENSIONS

