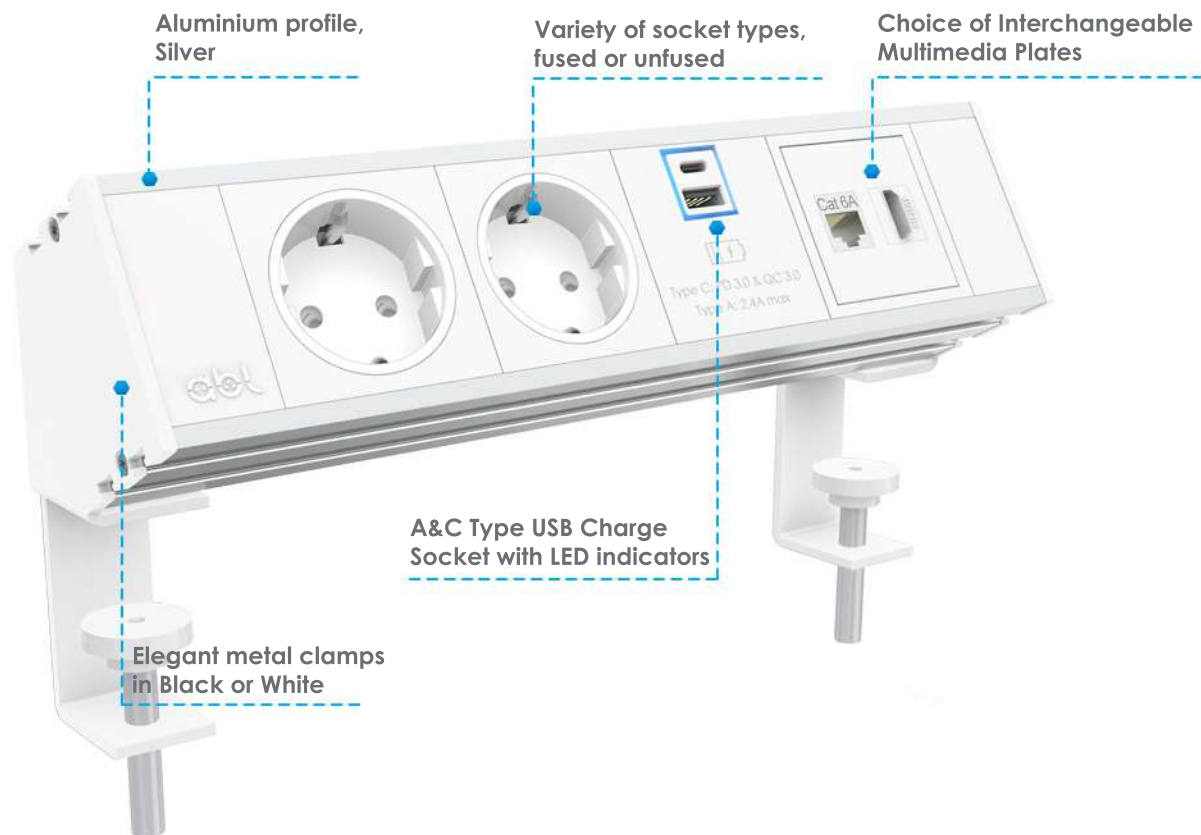


PRODUCT CARD

ON DESK POWER MODULE

FLEXI

Flexi on desk power module features a new, square design by ABL. It will fulfill any desired specification as it offers a variety of power socket types, USB Charge Socket and our Interchangeable Multimedia Plate system. The metal side caps with clamps give this product an elegant touch and enables easy installation.



FEATURES

- The unit complies with IEC 60884-1:2002 + A1:2006 + A2:2013
- Elegant, Silver aluminium profile; modular parts and metal clamps are available in Black or White
- Completely configurable, available in variations of sockets with USB charge sockets and media connections
- The module uses elegant, metal clamps that can be installed under the desk
- Designed to fit desk thickness between 15 and 40mm
- All standard options come with 0.5m drop lead to 3 Pole Connector

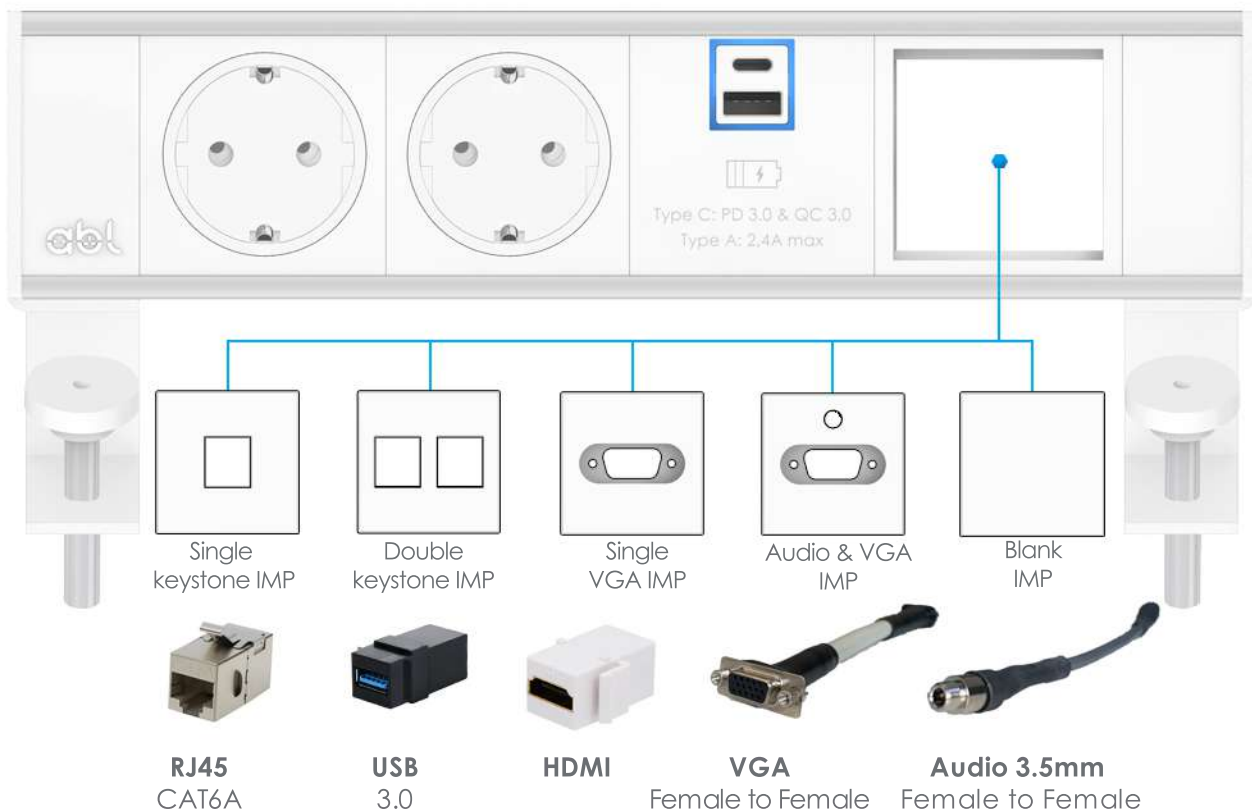
ON DESK POWER MODULE FLEXI

AVAILABLE SOCKET TYPES AND MEDIA CONNECTIONS



INTERCHANGEABLE MULTIMEDIA PLATES

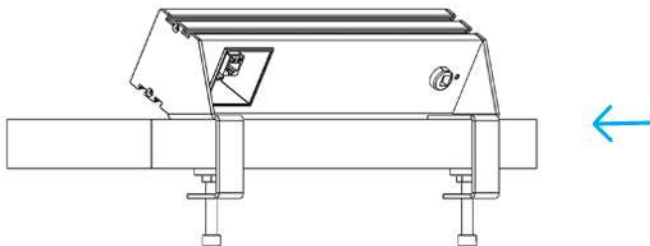
ABL's new and flexible IMP (Interchangeable Multimedia Plate) system allows the end user to choose between various multimedia connections and independently change the configuration within their chosen power module, with ease and according to their preferences.



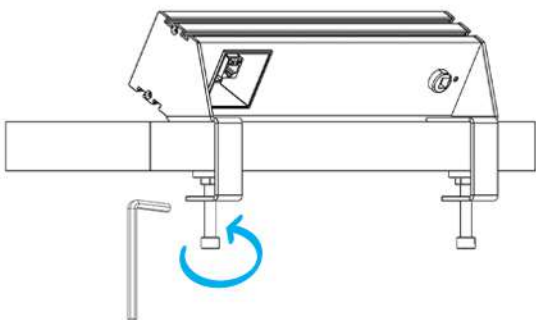
ON DESK POWER MODULE FLEXI

INSTALLATION INSTRUCTIONS

1. Place the module onto the edge of the desk



2. Use Allen key to fixate the module onto the desk



DIMENSIONS

*NOTE - The module length depends on the required configuration

