

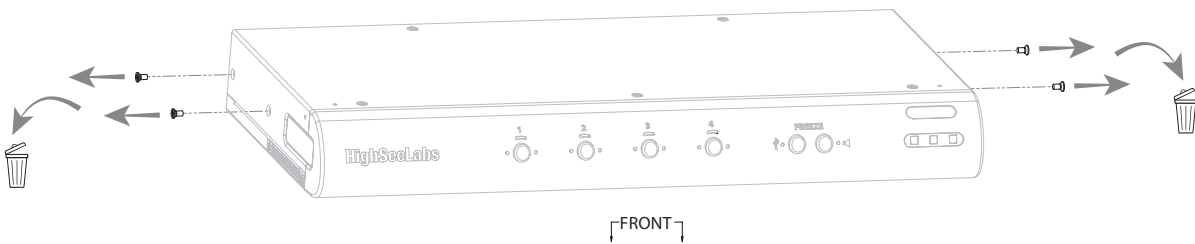
Installation Instructions

Universal 1U Rack Mount for 4P Single-Head

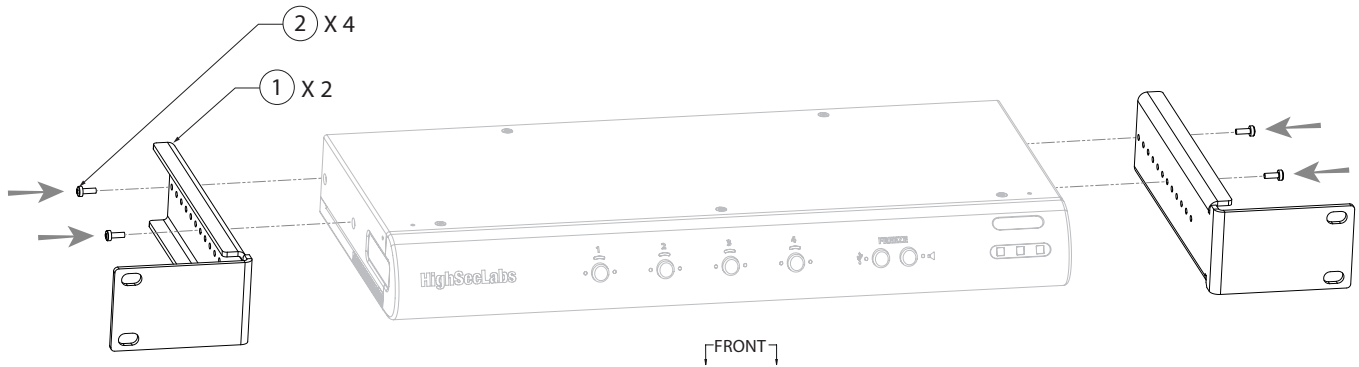
PARTS:

- ① **HMT14240 x 2** - Mounting Brackets for 4P SH Units Black
- ② **HFT14889 x 4** - Screw - M2 5x7mm Phillips / Pan Head / Steel
- ③ **HFT16316 x 4** - Screw - M5x16mm Pan Head Phillips Steel DIN7985A
- ④ **HFT16317 x 6** - Screw - 12x3/4" Deep Thread Wood, Philips, PH
- ⑤ **HMT21967 x 2** - 1U Under the table bracket - for 8P SH/MM/KM

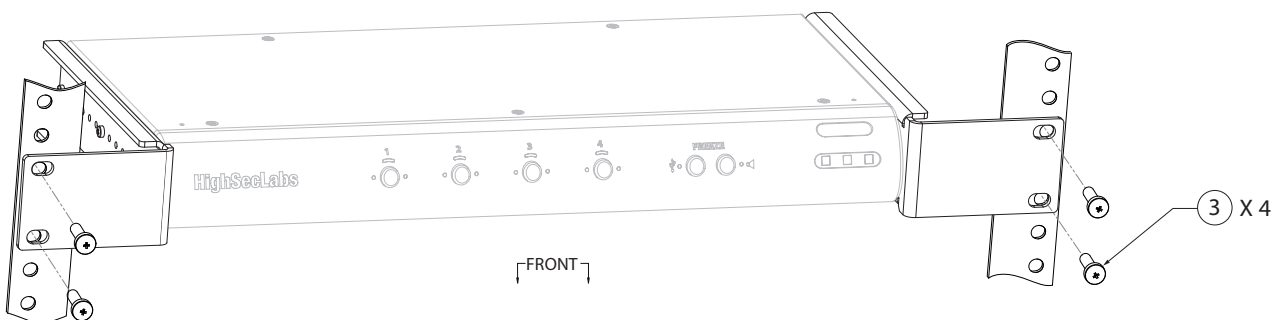
A Carefully remove the screws of **LEFT** and **RIGHT** sides of the device, then dispose them.



B Install the brackets ① and screws ② in place.



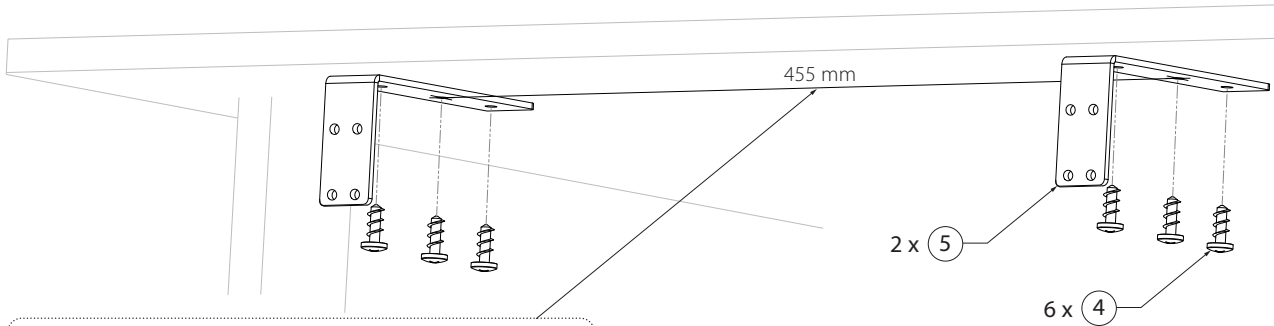
C Install the device in the rack mount cabinet using 4 screws ③.



Installation Instructions

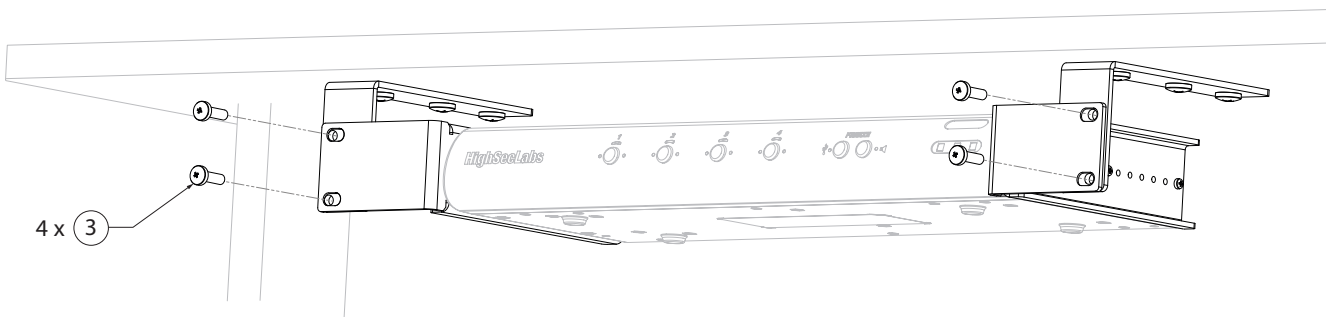
Universal 1U Under the Table Rack Mount for 4P Single-Head

D **OPTION 1** - Install the Under the table brackets (5) using 6 screws (4).

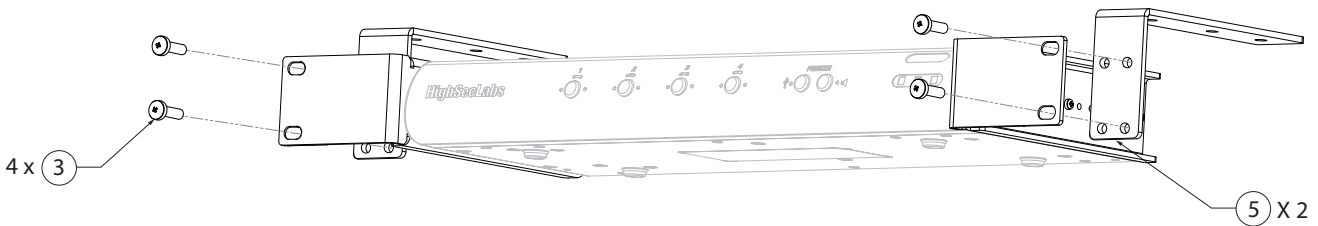


See the distance between center of holes, to better adjust the installation of the brackets under the table.

- Attach the device to the brackets (5) using 4 screws (3).



E **OPTION 2** - Attach the device to the Under the table brackets (5) using 4 screws (3).



- Install the device using 6 screws (4).

