

4/8-PORT AUXILIARY FRONT PANEL



A Secure KVM which is out of reach, such as when installed under a desk or in a cabinet, creates a problem. The user doesn't have access to the buttons for selecting and seeing the active PC's. The small, attachable Auxiliary Front Panel (AFP) solves the problem, by providing direct control of the KVM – right from the desktop or monitor.

The AFP provides several benefits:

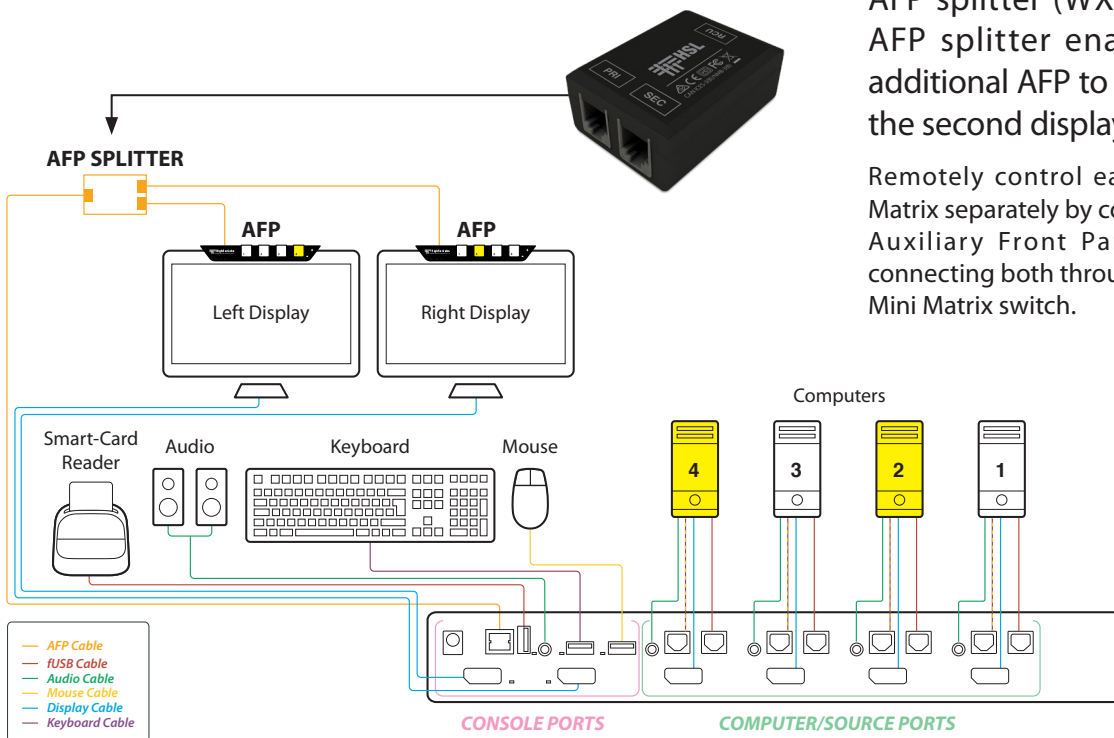
- Illuminated push buttons mimicking the Secure KVM front panel for easy and intuitive control.
- Situational awareness - clear indication of the active channel to reduce user confusion and avoid typing mistakes.
- Dimmer controls that enable to adjust LED light intensity for changes of ambient light.
- Simply mounts on a desktop or display.
- Communicates via a standard RS232 based protocol for easy extension to any distance over standard point to point extenders.

MODEL	DESCRIPTION	DIMENSIONS	P/N
WR40-3	HSL 4P Remote Auxiliary Front Panel	177.5 x 34 x 24 mm	CGA14333
WR80-3	HSL 8P Remote Auxiliary Front Panel	277.5 x 34 x 24 mm	CGA14334
WX12N-4	HSL Matrix AFP Splitter	55.1 x 39.8 x 23 mm	CGA17496

MATRIX AFP SPLITTER

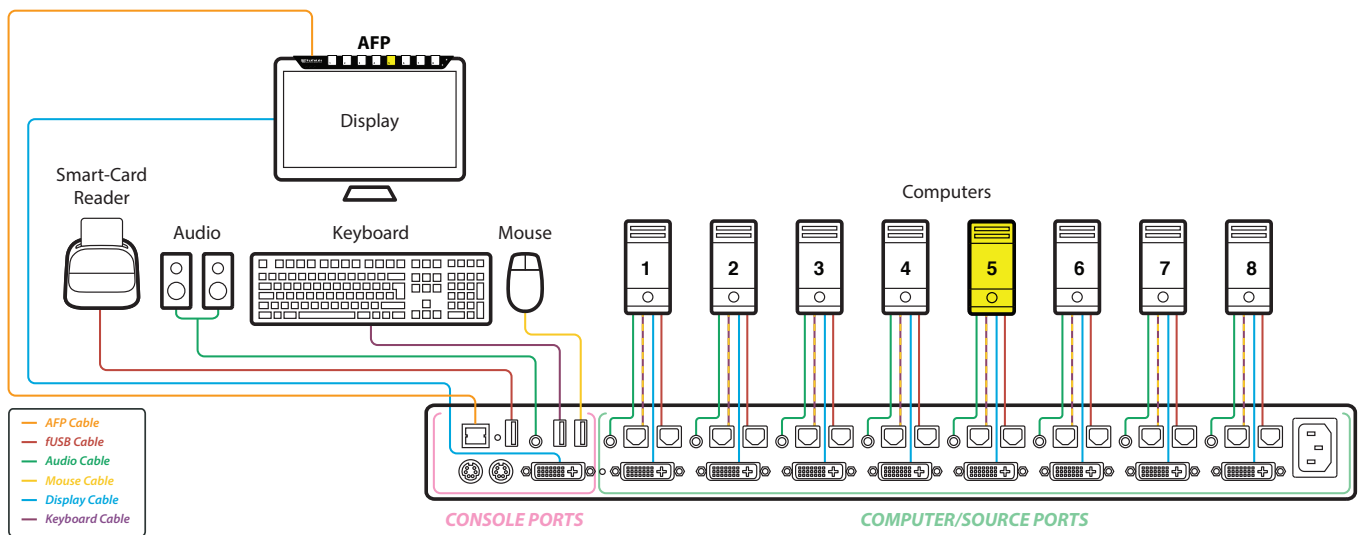
For HSL Mini-Matrix switches, use the AFP splitter (WX12N-4). The special AFP splitter enables attaching an additional AFP to control and monitor the second display.

Remotely control each display of the Mini Matrix separately by connecting the attachable Auxiliary Front Panel on each one and connecting both through the AFP splitter to the Mini Matrix switch.



Compatible Models: Compatible with all HSL 4/8 Port PP3.0 and PP4.0 KM, KVM, Mini-Matrix, Modular-Matrix. Support for HSL's KVM combiners is coming soon but currently not available.

8 PORT KVM SWITCHES



4 PORT KVM SWITCHES

