






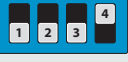

2/4 PORTS DPH/HDMI 4K 60HZ VIDEO SPLITTERS

HSL's PV12PH-N\PV14PH-N are a simple to use, high-performance 4K AV distribution amplifier designed to split an HDMI or DisplayPort signal to feed two or four separate HDMI displays, switchers, and/or other devices. It provides full support for UHD 4K60 4:4:4 and HDR video, HDCP 1.4 or 2.2 copy protection to ensure optimal performance and compatibility for any HD or 4K video application. No programming or control system is required for operation.

HDMI SPLITTER HIGHLIGHTS

- Splits a single DP or HDMI source to 2 or 4 HDMI display
- Support resolutions up to 4K 60Hz
- Unique DP/HDMI input connector allows for both sources to be connected and converted to HDMI output.
- No drivers required
- Multiple pre-defined EDID files or use monitor connected EDID.
- Designed for 24/7 operation over many years of use.

SWITCH STATES EDID SELECT

SWITCH STATE	EDID SELECTED
ON ↑ OFF ↓ 	➔ 1920x1080
ON ↑ OFF ↓ 	➔ 1920x1200
ON ↑ OFF ↓ 	➔ 3440x1440
ON ↑ OFF ↓ 	➔ 3840x2160
ON ↑ OFF ↓ 	➔ EDID pass through

SPECIFICATION

PART NUMBER	PV12PH-N	PV14PH-N
CONSOLE PORTS		
Displays	2 x HDMI	4 x HDMI
Max Resolution (Input & Output)	Supporting UHD 4K resolutions up to 3840x2160 @ 60 Hz	
COMPUTER PORTS		
Display Type	DP/HDMI	DP/HDMI
PHYSICAL		
Dimensions	145 x 105 x 28 mm / 5.8 x 4.2 x 1.1 inches	
Weight	0.3 kg (0.64 lbs)	
POWER		
Power Requirements	DC input 12V/1.5A Maximum, External Wall-mounted power supply included. Power input 90 to 240V AC	
ENVIRONMENTAL		
Operating Temperature	32° to 104° F (0° to 40° C)	
Storage Temperature	-4° to 140° F (-20° to 60° C)	
Humidity	20 to 80% non condensing; Storage – 10 to 90% non condensing	
SOFTWARE		
Supported OS	Windows, Linux, Mac	

