

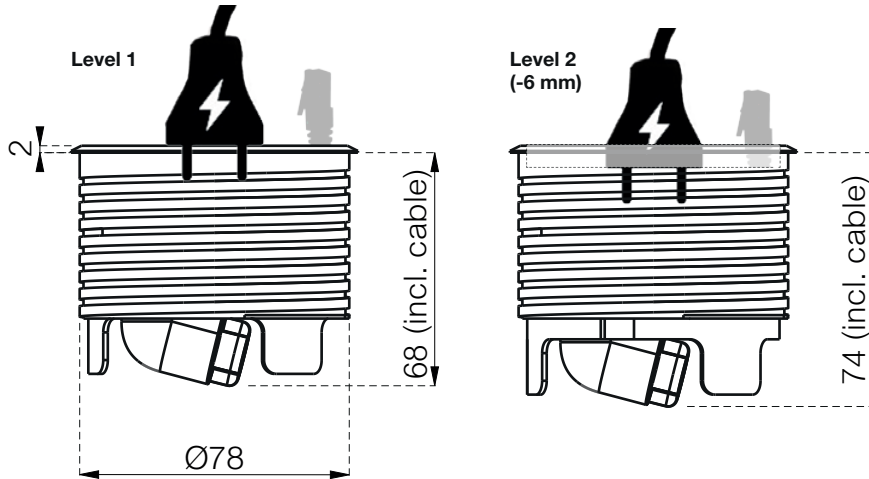


□ 935-PD34W-GST

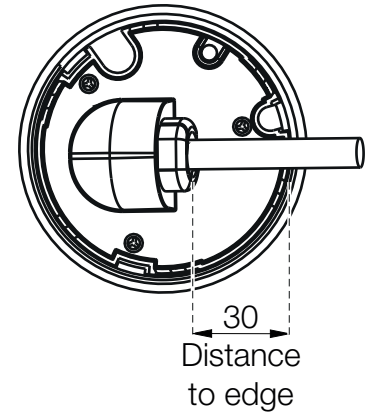
■ 935-PD34-GST

**Powerdot - 1 GST18i3, 2x USB-ch. (5V, 2.4A),
2 Feed throughs (Ø7, Ø9.5 mm), French version**

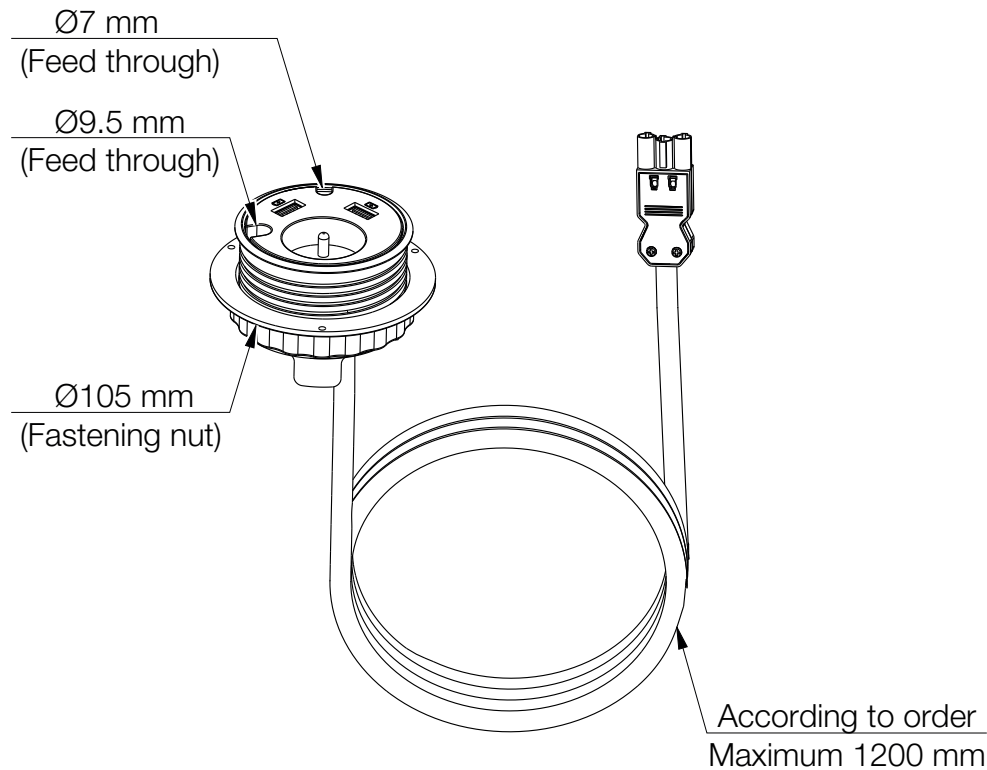
Front view (Grommet)



Bottom view



Oriented view (Grommet, nut & cable)



Maximum table thickness: 30 mm
Recommended hole cut: Ø79 mm