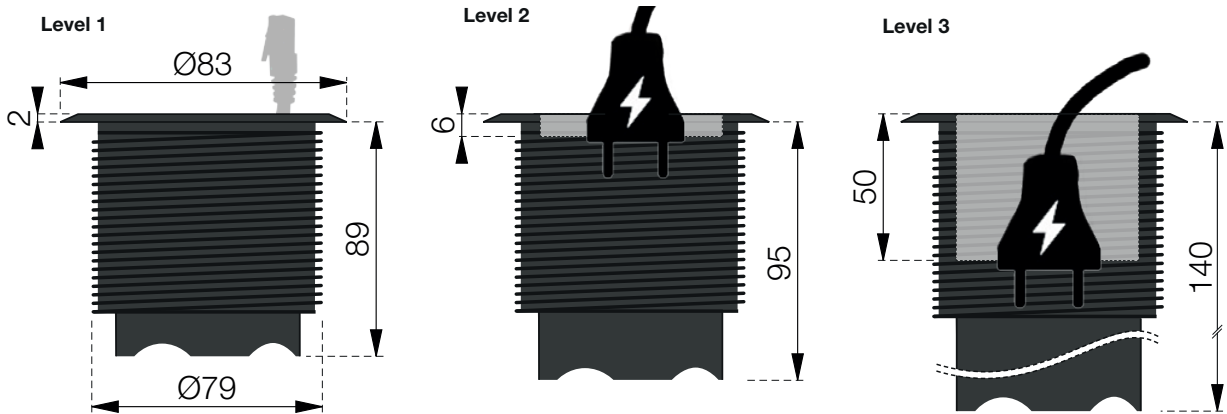


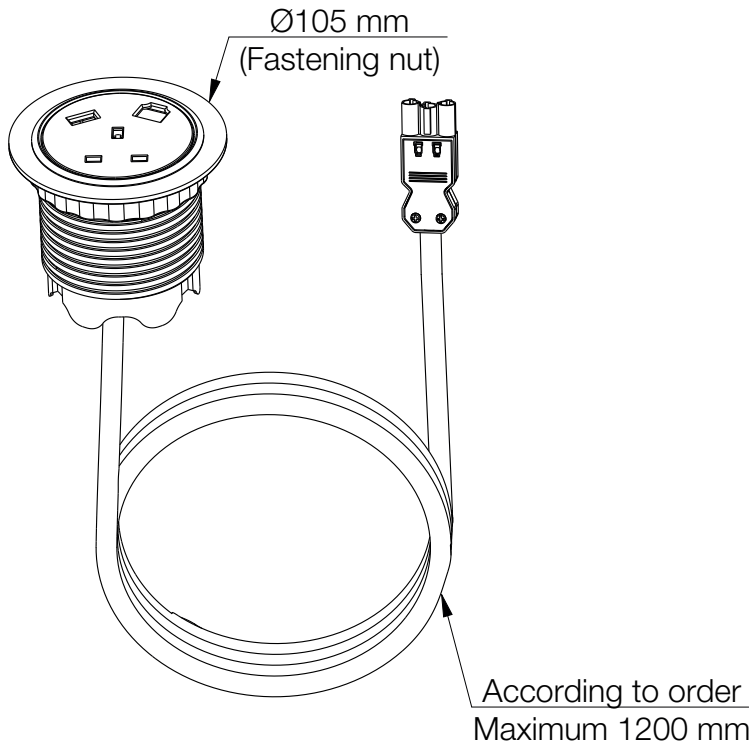


■ 935-PD22-GST
**Powerdot - 1 GST18i3, 1 Data,
1 USB Charger (5V, 2.1A), UK version**

Front view (Grommet)



Oriented view (Grommet, nut & cable)



Maximum table thickness: 30 mm
Recommended hole cut: Ø79 mm

Revised
200218