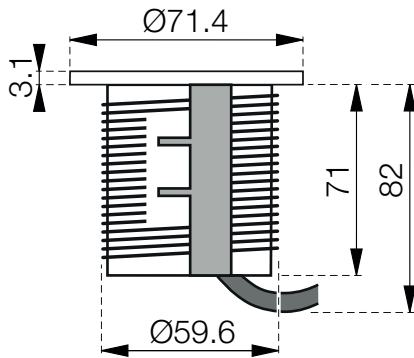


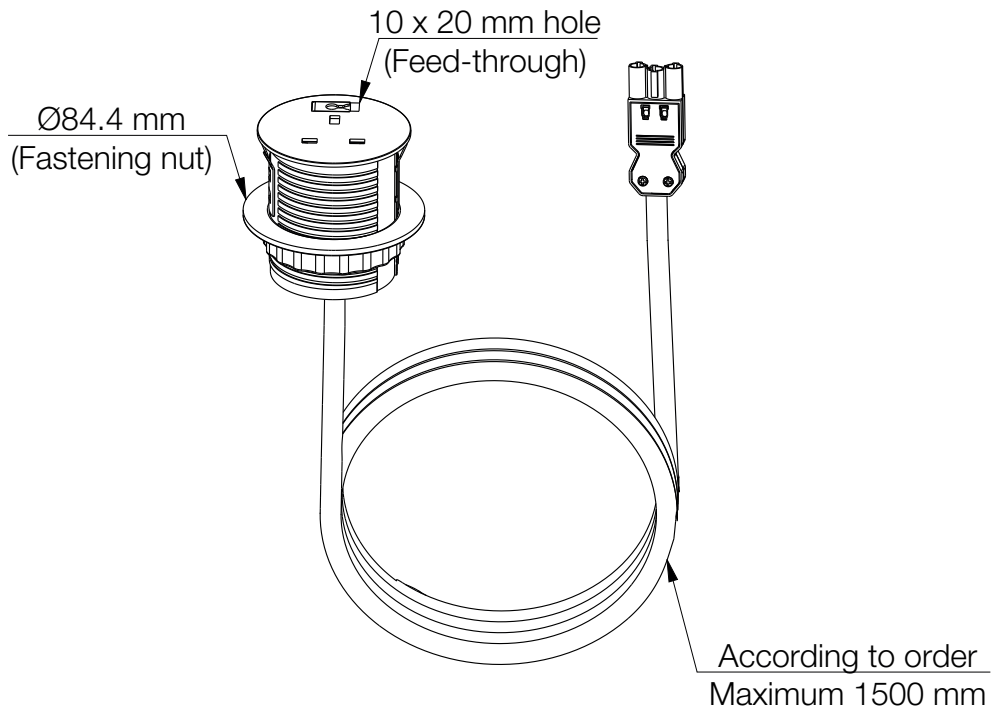


■ 935-PM70-GST
**Powerdot MIDI - 1 GST18i3, 1 Feed-through,
UK version**

Front View (Grommet)



Oriented view (Grommet, nut & cable)



Maximum table thickness: 52 mm
Recommended hole cut: Ø60 mm

Revised
200218