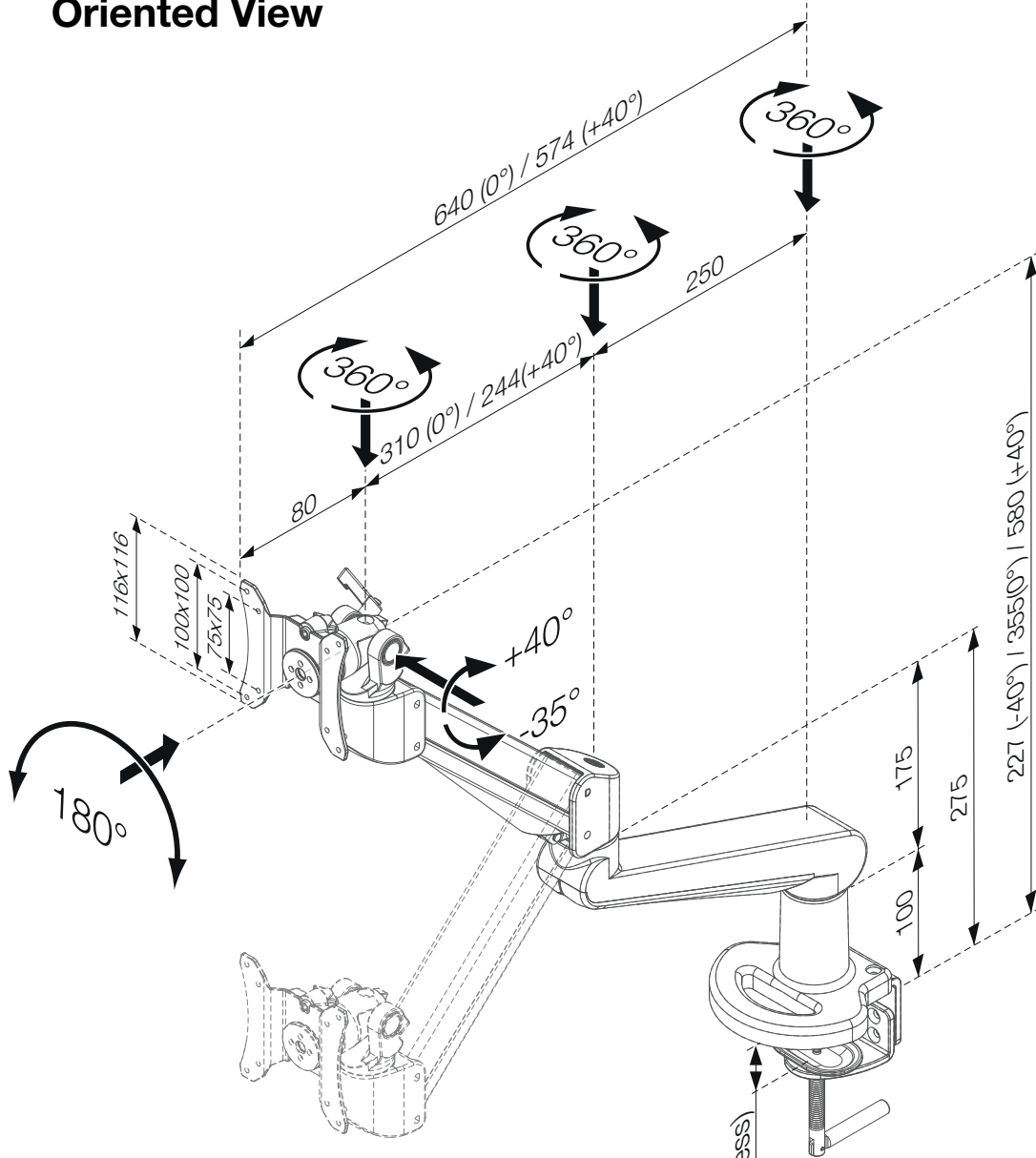


- 438-LC60
- 438-LC60W

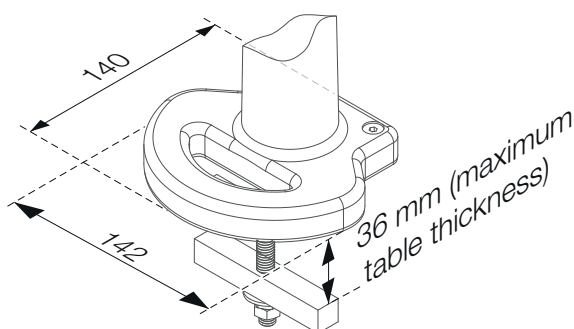


Monitor Arm Twin STOCKHOLM, Gas Spring

Oriented View



Alternative grommet clamp



Range for table thickness

- 8-86 mm (regular clamp)
- 0-36 mm (grommet clamp)