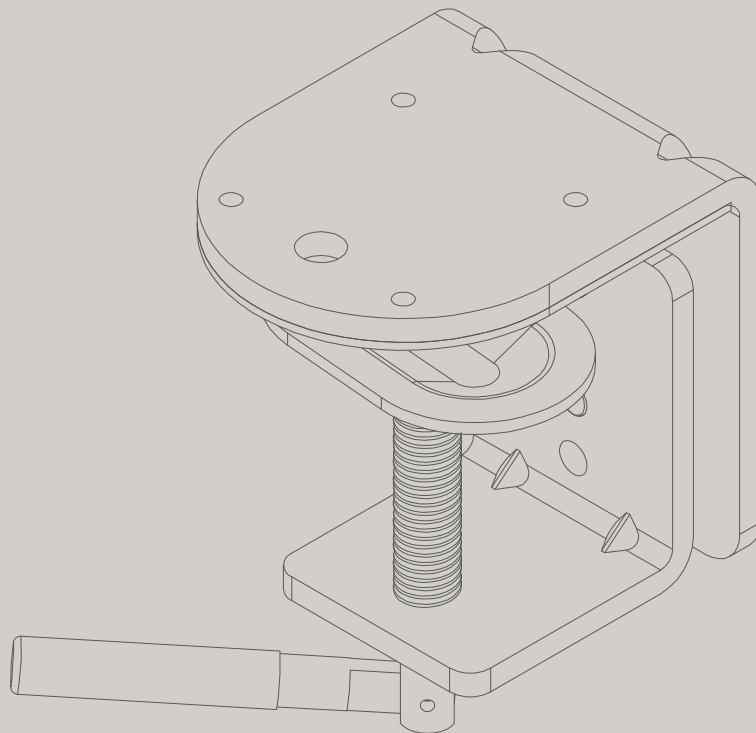
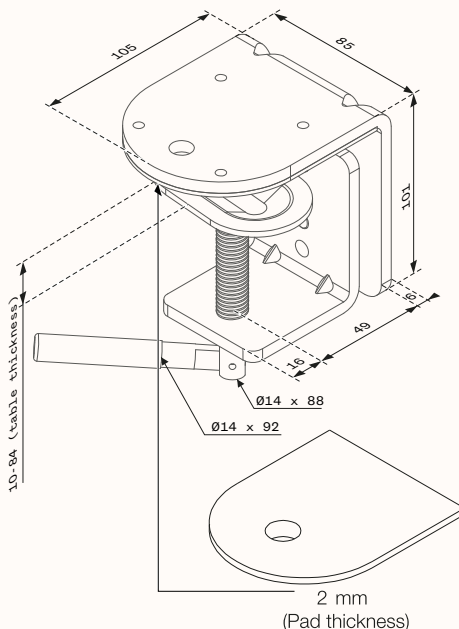


HOLD CLAMP⁰¹



Dimensions

See user manual for assembly instructions.



HOLD CLAMP⁰¹

TABLE CLAMP, < 85 MM, BLACK/WHITE/SILVER

ART. NO

- 4002000309 BLACK
- 4002000301 WHITE
- 4002000302 SILVER

Technical data

MATERIAL	STEEL
MAXIMUM TABLE-TOP THICKNESS	84mm
MINIMAL TABLE-TOP THICKNESS	10mm
COLOUR	BLACK RAL 9005, WHITE RAL 9016, SILVER
FINISH	BLACK/WHITE-MATTE, SILVER-METALLIC
LENGHT	105mm
WIDTH	85mm
HIGHT	101mm