



Scan for full manual

## WP-211X EU PANEL SET Quick Start Guide

This guide helps you install and use your WP-211X EU PANEL SET for the first time.

Go to [www.kramerav.com/downloads/WP-211X EU PANEL SET](http://www.kramerav.com/downloads/WP-211X_EU_PANEL_SET) to download the latest user manual and check if firmware upgrades are available.

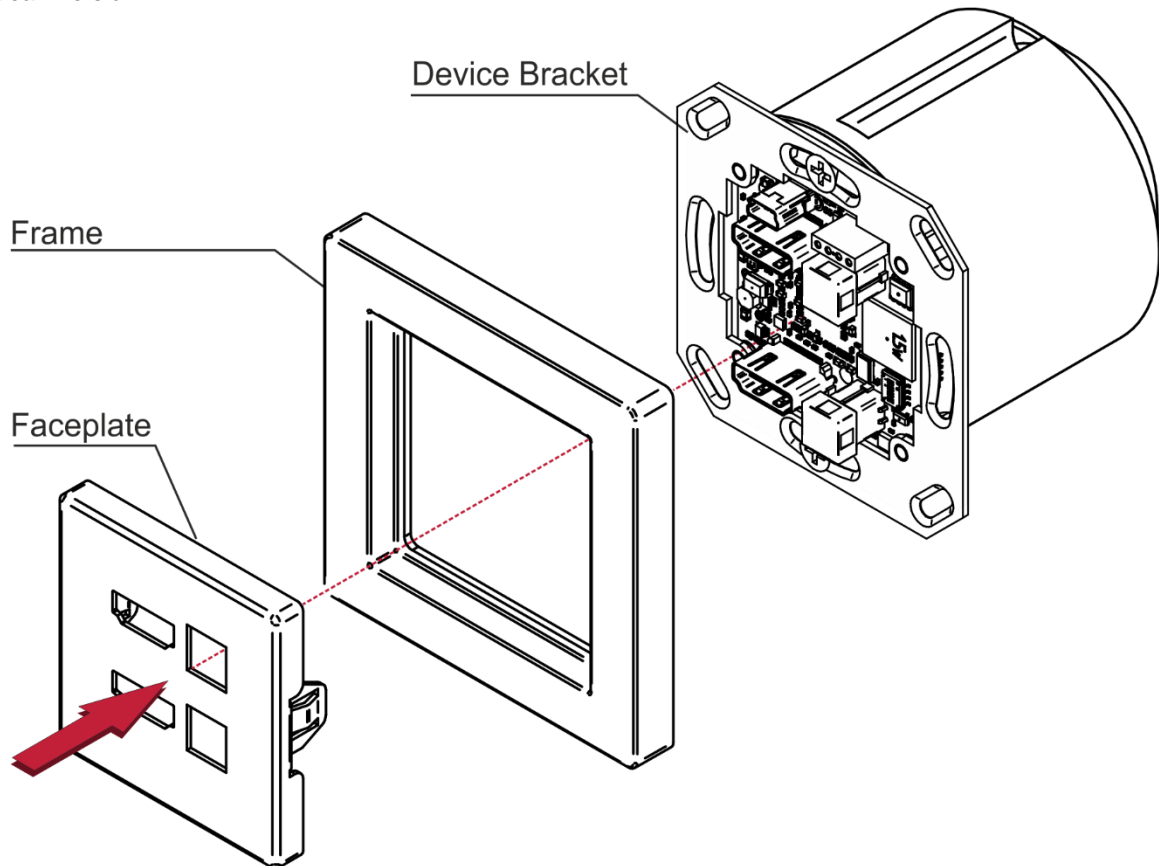
### Step 1: Check what's in the box

- ✓ 1 faceplate
- ✓ 1 UK frame
- ✓ 1 EU frame
- ✓ 1 Quick start guide

### Step 2: Install the WP-211X EU PANEL SET

After mounting the device (see [www.kramerav.com/downloads/WP-211X EU PANEL SET](http://www.kramerav.com/downloads/WP-211X_EU_PANEL_SET)) attach the frame to the device and then click in the faceplate as shown in the illustration below:

European Version



We recommend that you use any of the following standard 1 Gang in-wall junction boxes (or their equivalent):

- **EU:** 1 Gang in-wall junction box, with a cut-hole diameter of 68mm and depth that can fit in both the device and the connected cables (DIN 49073).
- **UK:** 1 Gang in-wall junction box, 75x75mm (W, H), and depth that can fit in both the device and the connected cables (BS 4662).