



Scan for full manual

MegaEdge Quick Start Guide

This guide helps you install and use your **MegaEdge** for the first time.

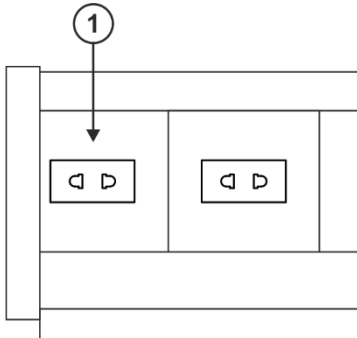
Go to www.kramerav.com/downloads/MegaEdge to download the latest user manual and check if firmware upgrades are available.

Step 1: Check what's in the box

- ✓ MegaEdge Secure Portable Power Supply
- ✓ 1 T20 Torx bit
- ✓ 2 T20 Torx security screws
- ✓ 1 Quick start guide

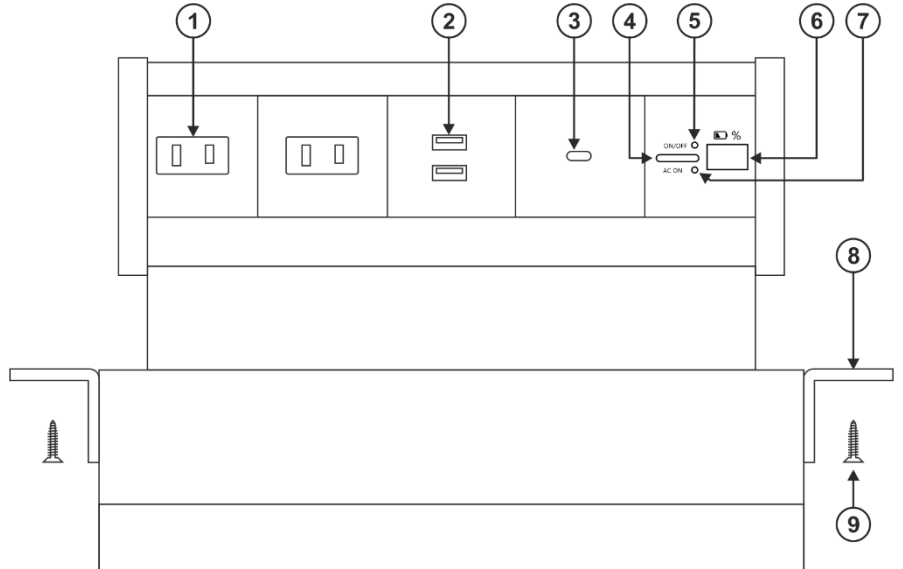
Step 2: Get to know your MegaEdge

MegaEdge-WW



220/240V AC universal outlets

MegaEdge-US

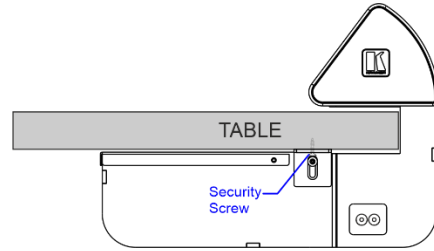


#	Feature	MegaEdge-Universal Function	MegaEdge-WW Function
1	AC Power Connector (x2)	Connect to up to two 120V AC power consuming devices simultaneously. ⚠ When a single power socket is connected, consumption should not exceed 5A. When both power sockets are connected, the total consumption should not exceed 6A.	Connect to up to two 220/240V AC power consuming devices simultaneously.
2	5V-2A USB Fast Charging Port (x2)	Use to charge a mobile device.	
3	USB-C	Use to charge a mobile device.	
4	Control Button	Short press to turn MegaEdge On. Once on, each additional short press toggles MegaEdge AC power outlets On/Off i MegaEdge consumes some power when the AC power indicator is on even when no devices are connected to it. Long press to turn MegaEdge Off.	
5	Power On Indicator LED	Lights blue when MegaEdge is on.	
6	Numeric LED Display	Indicates percent of power remaining.	
7	AC Indicator LED	Lights red when AC power enabled. i USB DC power is always on when MegaEdge is on.	
8	Mounting Bracket	Used with security screw for securing the MegaEdge to the table.	
9	Security Screw (2)	For securing the MegaEdge to the table.	

Step 3: Install MegaEdge

Install MegaEdge

1. Carefully place **MegaEdge** over the edge of a table at the desired location so that the table edge is pressed against the device.
2. Secure **MegaEdge** to the table using the Torx bit and the two security screws provided.
3. Tighten each security screw through the **MegaEdge** mounting bracket into the table.



Step 4: Connect power



MegaEdge requires a 100V – 240V AC, 2.0A extension cord with a C7 connector and an appropriate plug type based on user's country.



To fully charge **MegaEdge**, connect the power cord to the mains electricity for at least 8 hours.



Safety Instructions (See www.kramerav.com for updated safety information)

Caution:

- There are no operator serviceable parts inside the unit.

Warning:

- Use only the power cord that is supplied with the unit.
- Disconnect the power and unplug the unit from the wall before installing.
- Do not open the unit. High voltages can cause electrical shock! Servicing by qualified personnel only.
- To ensure continuous risk protection, replace fuses only according to the rating specified on the product label which located on the bottom of the unit.

Step 5: Operate MegaEdge

To Turn MegaEdge On

- Press the Control button.
Power On LED lights blue.

To Turn MegaEdge Off

- Press the Control button for 3 seconds.
Power On LED is no longer lit.

To Toggle AC Power On/Off

- Press the Control button to toggle between AC power On and AC power Off
AC LED is lit red when AC is on.



MegaEdge consumes some power when the AC power indicator is on even when no devices are connected to the AC.



When no power is being used, **MegaEdge** powers off automatically after 1 minute.

To Charge MegaEdge

When not in use, plug it into an AC outlet for at least 8 hours to fully charge the **MegaEdge**.