



Scan for full manual

VM-4HDCPXL Quick Start Guide

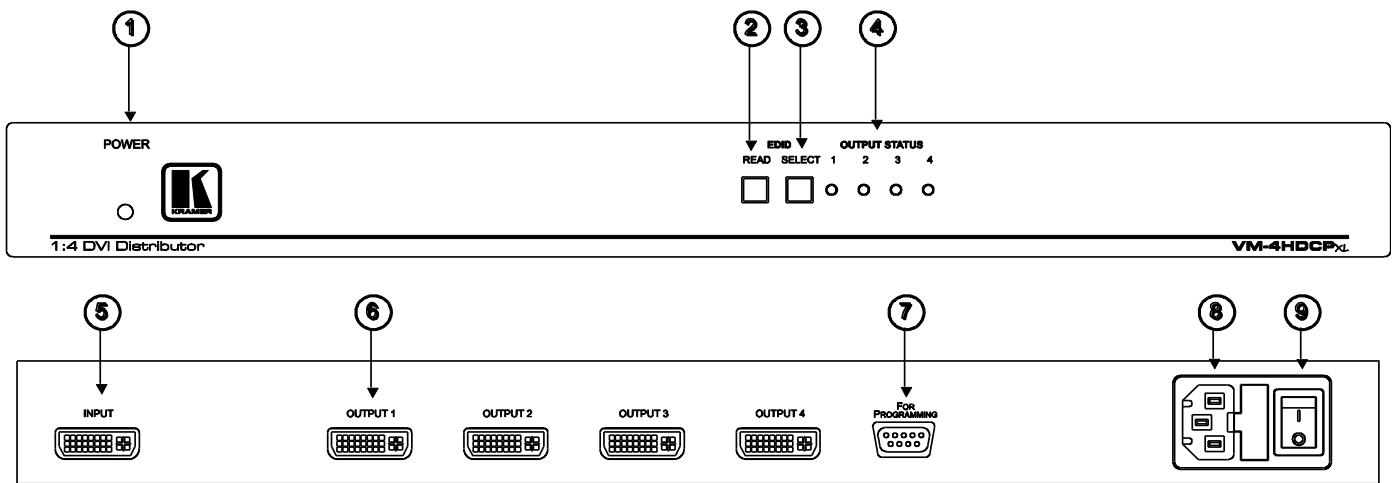
This guide helps you install and use your VM-4HDCPXL for the first time.

Go to www.kramerav.com/downloads/VM-4HDCPXL to download the latest user manual and check if firmware upgrades are available.

Step 1: Check what's in the box

- ✓ VM-4HDCPXL 1:4 DVI (HDCP) Distribution Amplifier
- ✓ 4 Rubber feet
- ✓ 1 Power cord
- ✓ 1 Quick start guide

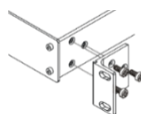
Step 2: Get to know your VM-4HDCPXL



#	Feature	Function
1	POWER LED	The green LED is illuminated when the unit is turned ON
2	EDID Buttons	READ 1. To show the EDID status, press READ 2. To acquire the EDID, press the EDID SELECT button, then press READ
3		SELECT Press to select the EDID mode (One Output, Default or Auto-mix)
4	OUTPUT STATUS LEDs (from 1 to 4)	LEDs illuminate when an output(s) is connected and active; LEDs flash to indicate the type of EDID acquired or when a non-HDCP display is connected while HDCP content is provided to the VM-4HDCPxl
5	INPUT DVI Connector	Connects to the DVI source
6	OUTPUT DVI Connectors	Connects to a DVI acceptor (from 1 to 4)
7	FOR PROGRAMMING 9-pin D-sub Port	For service use only
8	Power Connector with Fuse	AC connector enabling power supply to the unit
9	POWER Switch	Illuminated switch for turning the unit ON or OFF

Step 3: Mount VM-4HDCPXL

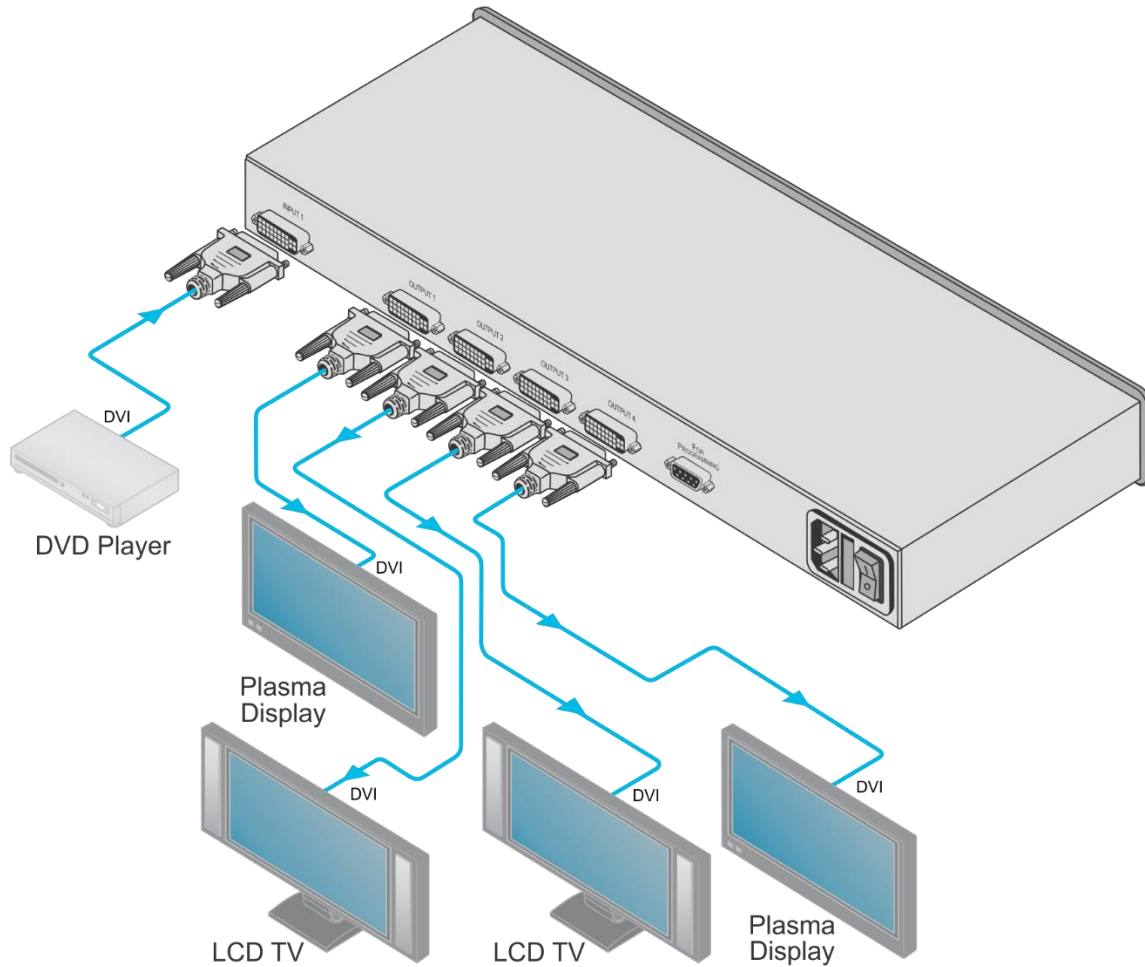
To rack mount the machine, attach both rack ears (by removing the screws from each side of the machine and replacing those screws through the rack ears) or place the machine on a table.



- Ensure that the environment (e.g., maximum ambient temperature & air flow) is compatible for the device.
- Avoid uneven mechanical loading.
- Appropriate consideration of equipment nameplate ratings should be used for avoiding overloading of the circuits.
- Reliable earthing of rack-mounted equipment should be maintained.

Step 4: Connect inputs and outputs

Always switch OFF the power on each device before connecting it to your VM-4HDCPXL.



To achieve specified extension distances, use the recommended Kramer cables available at www.kramerav.com/product/VM-4HDCPXL. Using third-party cables may cause damage!

Step 5: Connect power

Connect the power cord to VM-4HDCPXL and plug it into the mains electricity.

Safety Instructions (See www.kramerav.com for updated safety information)

Caution:

- For products with relay terminals and GPIO ports, please refer to the permitted rating for an external connection, located next to the terminal or in the User Manual.
- There are no operator serviceable parts inside the unit.

Warning:

- Use only the power cord that is supplied with the unit.
- Disconnect the power and unplug the unit from the wall before installing.
- Do not open the unit. High voltages can cause electrical shock! Servicing by qualified personnel only.
- To ensure continuous risk protection, replace fuses only according to the rating specified on the product label which located on the bottom of the unit.