

The Kramer T-2INSERT Optional Insert Kit

Congratulations on purchasing your Kramer **T-2INSERT** Optional Insert Kit. The **T-2INSERT** Optional Insert Kit lets you add 2 more inserts to the TBUS configuration instead of a power socket, thus providing you with additional design flexibility.

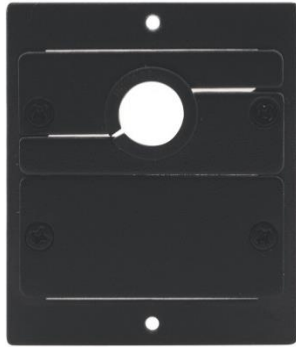


Figure 1: T-2INSERT Optional Insert Kit (P/N: 80-00006699).

Installing the T-2INSERT Optional Insert Kit

Step 1: fit the **T-2INSERT** into the TBUS frame opening.

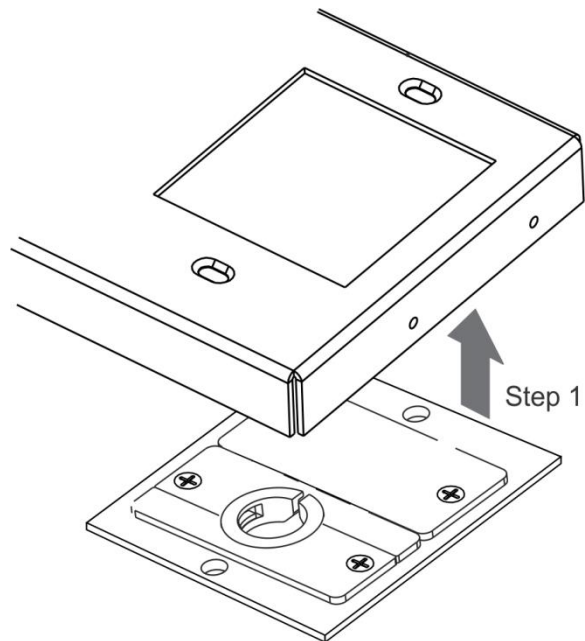


Figure 2: Fit the **T-2INSERT** – Step 1.

Step 2: fasten the **T-2INSERT** to the TBUS frame with the two screws.

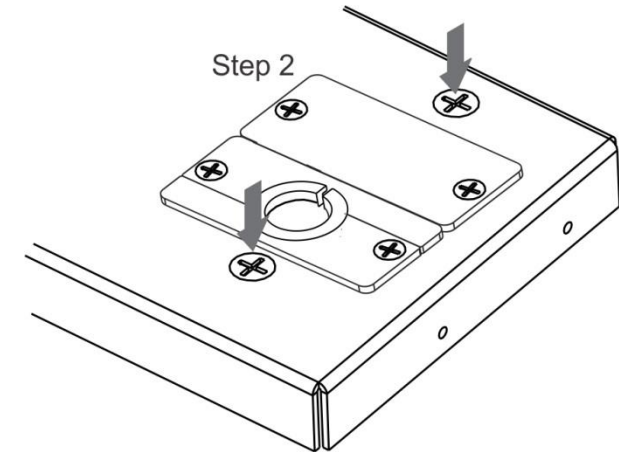


Figure 3: Fasten the **T-2INSERT** to the TBUS frame – Step 2.

Step 3: optionally, change a panel of the **T-2INSERT**, by removing the two screws from the panel.

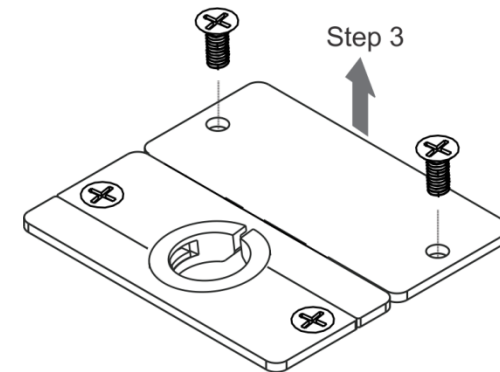


Figure 4: Optionally, change a panel – Step 3.

MODEL:

T-2INSERT Optional Insert Kit


For the latest information on our products and a list of Kramer distributors, visit our Web site where updates to this user manual may be found.

We welcome your questions, comments, and feedback.

Web site: www.kramerav.com

E-mail: info@kramerel.com



 **SAFETY WARNING**
Disconnect the unit from the power supply before opening and servicing



P/N: 2900-300169



Rev: 2

P/N: 2900-300169 Rev 2



KRAMER ELECTRONICS LTD.

Installation Instructions