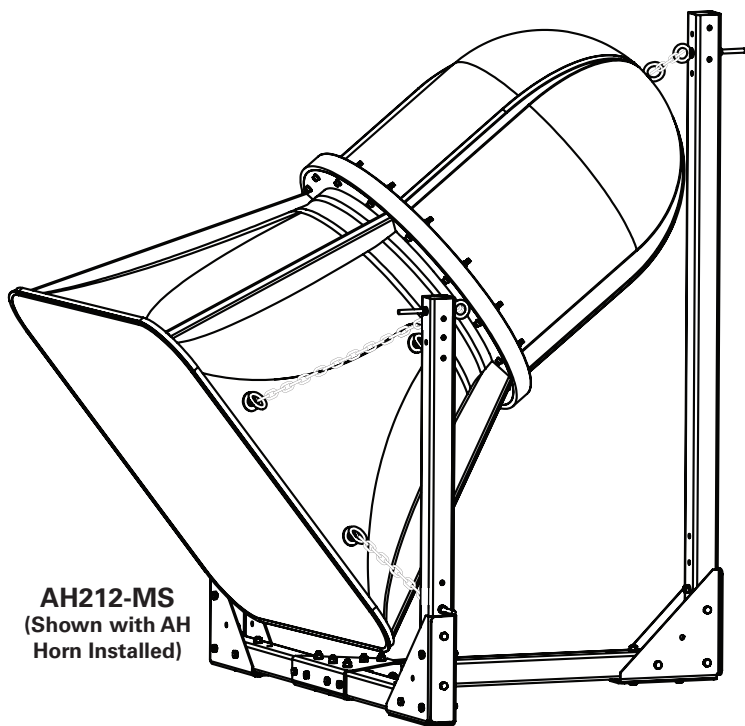


AH212-MS

AH212 Mounting System Assembly Instructions



Safety Instructions

Please Read Carefully Before Installing or Operating

- Read all instructions carefully
- Heed all warnings
- Assure that the speaker is securely mounted
- Always assure power is OFF to amplifiers before making any connections
- Assure that all electrical equipment is properly grounded
- Keep instructions for future reference
- Should any questions arise after reading this document, please call Atlas Sound Tech Support at 800-876-3333

Hearing Damage

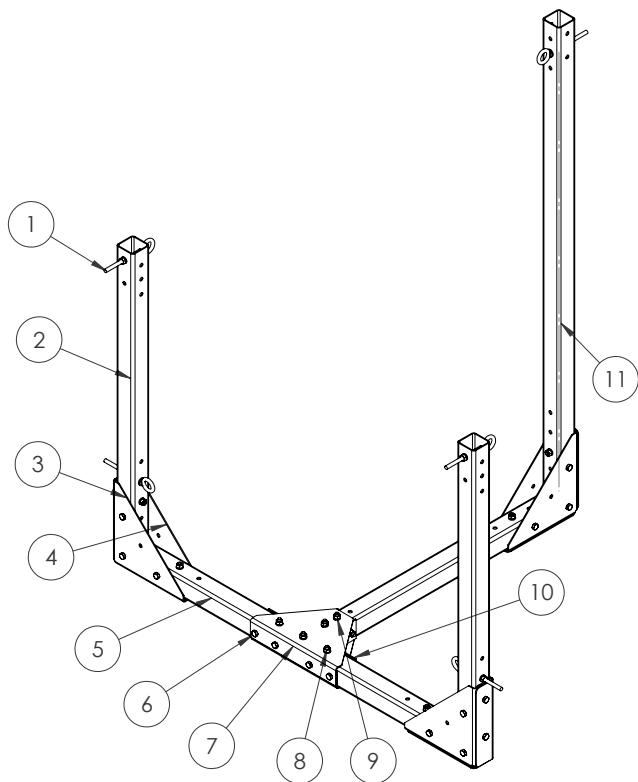
CAUTION: These professional loudspeaker systems are capable of generating very high sound pressure levels. Use care with placement and operation to avoid exposure to excessive levels that can cause permanent hearing damage.

Suspension & Mounting

Suspension or "flying" speaker systems requires training and expertise. Improper rigging of a flying speaker may result in injury, death, equipment damage, and legal liability. Installation must be carried out by fully qualified installers, in accordance with all required safety codes and standards at the place of installation.

A 5:1 design factor is a generally accepted minimum standard. However, legal requirements for overhead suspension vary by municipality, please consult your local safety standards office before installing any product. We also recommend that you thoroughly check any laws and bylaws prior to installation.

Loudspeakers flown in theaters, nightclubs, conference centers, or other places of work and entertainment must be provided with an independent, correctly rated and securely attached secondary safety — in addition to the principle suspension point(s). This secondary safety must prevent the loudspeaker from dropping more than (6") should the principle suspension device fail. If you lack the skills, training, and proper ancillary equipment to fly a speaker system, do not attempt to do so.



Parts Included

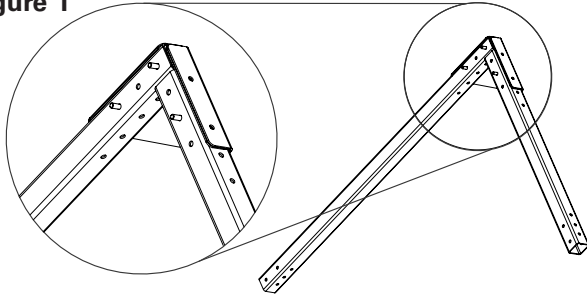
Item Number	Part Number	Description	Quantity
1	492010	Eyebolt, 5/16" x 4.25" 316 SS with Nut & Washer	5
2	490427	Upright 2" x 2" x 30"	3
3	490397	Bracket, Outer Right Angle	3
4	490433	Bracket Assembly, Inner	3
5	490418	T-Cross, AH212-MS 2" x 2" x 42"	1
6	492004	Bolt, Hex Head, .312" - 18 x 2.75"	32
7	490406	Bracket, T-Gusset, AH212-MS	2
8	8175700	Nut, 5/16"-18 HEX HLE	32
9	8175600	Washer, 5/16" x 130 x 097	32
10	490409	Bracket, L-Brace, AH212-MS	2
11	490424	Upright 2" x 2" x 48"	1

AH212-MS

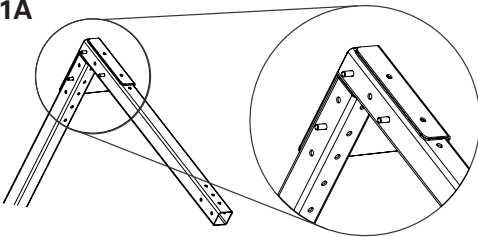
AH212 Mounting System Assembly Instructions

1. Rear Corner Brace Assembly

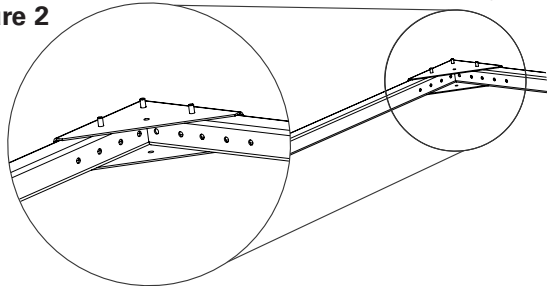
- A. Begin by assembling one of the three, 30" long uprights (2" x 2" x 30" square tubing) to the 48" long base (2" x 2" x 48" tubing).
- B. Insert 3, 2 $\frac{3}{4}$ " long hex bolts through the 3 corner holes of 1 of the inner corner braces (inner corner braces are marked with a letter "I" on the inside surface).
- C. Next, slide the square tubing over the bolts as shown in Figure 1.

Figure 1


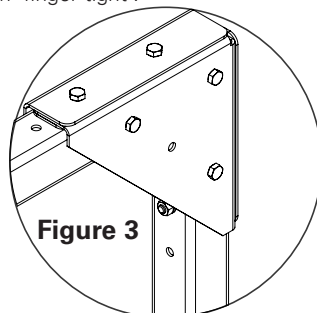
Note: The rear corner brace may also be assembled as in Figure 1A to provide 2" more length or height.

Figure 1A


- D. Continue assembling by sliding 1 of the outer corner braces over the same 3 bolts (outer corner braces are marked with a letter "O" on the inside surface). This will "sandwich" the tubing between the inner and outer corner braces as in Figure 2.

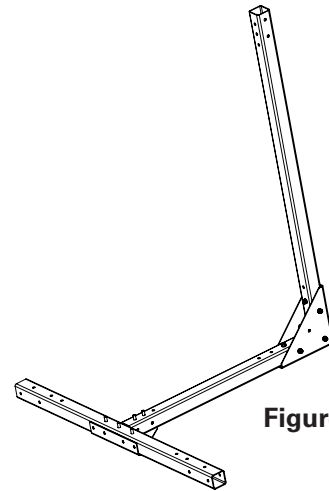
Figure 2


- E. Place 1 split-ring lock washer over each of the bolts, then thread a hex nut onto each of the 3 bolts and tighten them "finger tight".
- F. Insert 4 bolts through the side flanges of the braces and the square tubing as shown in Figure 3.
- G. Add lock washers and hex bolts to each of the 4 bolts and tighten them "finger tight".
- H. Torque all of the nuts to 250 inch pounds / 21 foot pounds.



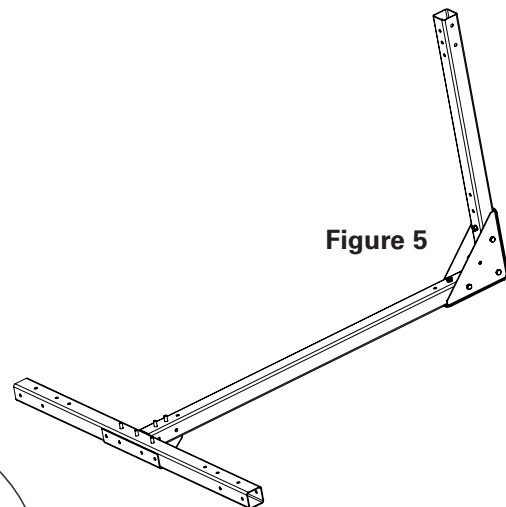
2. Mounting Angle Configurations

- A. There are 2 available configurations for assembling the AH212-MS.
 - i. One configuration option is down-firing at an angle to the surface the AH212 Speaker System will be mounted on. For this option the rear upright will be the 48" long 2" x 2" square tube. See Figure 4.


Figure 4

- ii. The alternate option is the horizontal configuration, or parallel to the surface the Speaker System will be mounted on. For this option the rear upright will be a 30" long 2" x 2" square tube. See Figure 5.

- B. You must determine the Mounting Angle Configuration option that will be used before proceeding to step 3


Figure 5

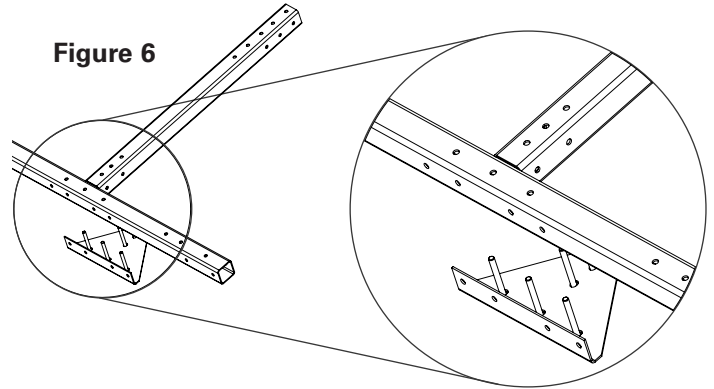
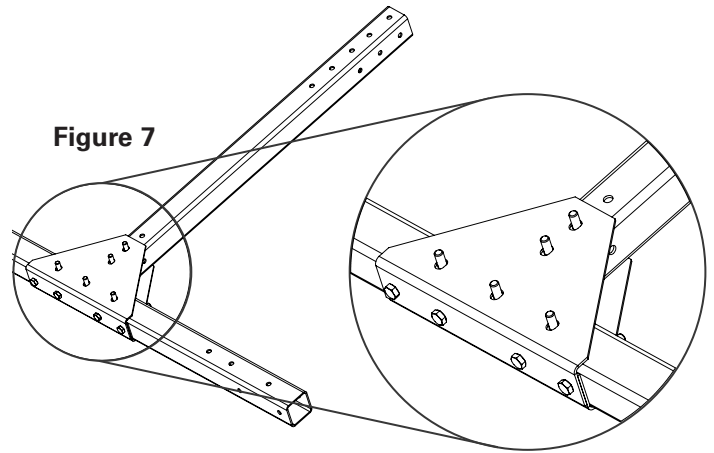
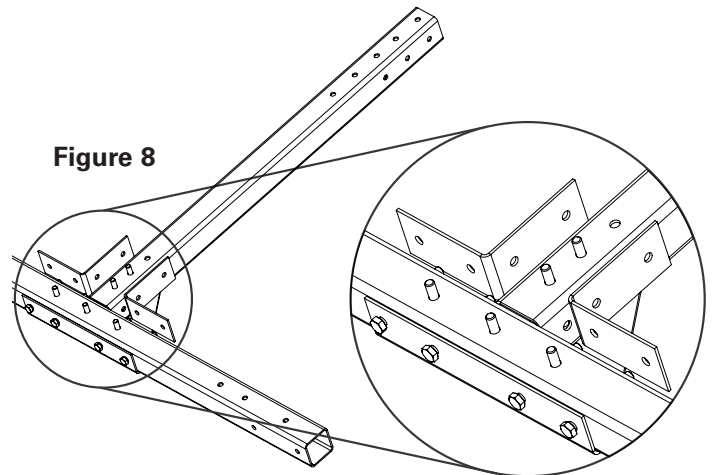
AH212-MS

AH212 Mounting System Assembly Instructions

3. T-Cross Brace Assembly

- A. Begin by inserting 5, 2 $\frac{3}{4}$ " hex bolts through five holes on the large surface of a "T gusset". See Figure 6.

Note: The 2 center braces are identical.
- B. Slide the T-Cross (42" x 2" x 2" tube) over the 3 front hex bolts using the 3 center holes in the tubing.
- C. Slide the free end of the rear corner brace assembly over the 2 remaining hex bolts (according to the mounting configuration that you have determined).
- D. Slide the remaining "T gusset" over the 5 bolts.
- E. Place 1 split-ring lock washer over each of the bolts, then thread a hex nut onto each of the 5 bolts and tighten them "finger tight".
- F. Insert 4, 2 $\frac{3}{4}$ " hex bolts through the holes on the front of the T-gussets. This will "sandwich" the tubing between the bottom and top T-gussets. as in Figure 7.
- G. Slide the "L" braces over the 4 bolts as in Figure 8.
- H. Place 1 split-ring lock washer over each of the bolts, then thread a hex nut onto each of the 4 bolts and tighten them "finger tight".
- I. Insert 2, 2 $\frac{3}{4}$ " hex bolts through the 2 remaining holes in the "L" braces. (these bolts may be inserted from either side.)
- J. Place 1 split-ring lock washer over both of the bolts, then thread a hex nut onto both bolts and tighten them "finger tight".
- K. Torque all of the nuts to 250 inch pounds / 21 foot pounds.

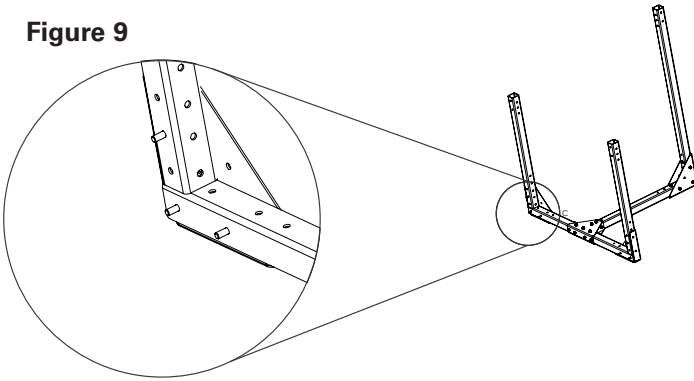
Figure 6

Figure 7

Figure 8


AH212-MS

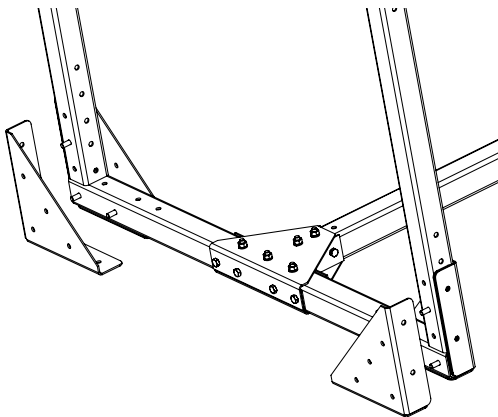
AH212 Mounting System Assembly Instructions

4. Front Uprights Assembly

- Begin by inserting 3, 2 $\frac{3}{4}$ " long hex bolts through the 3 corner holes of 1 of the inner corner braces (inner corner braces are marked with a letter "I" on the inside surface).
- Continue by fitting the corner brace on the end of the cross tubing and inserting 2 of the bolts through the cross tubing. See Figure 9.
- Slide one of the remaining uprights into place above the cross tubing, inserting the 3rd bolt through the upright as shown in Figure 9.

Figure 9


- Continue assembling by sliding 1 of the outer corner braces over the same 3 bolts (outer corner braces are marked with a letter "O" on the inside surface). See Figure 10.

Figure 10


- Place 1 split-ring lock washer over each of the bolts, then thread a hex nut onto each of the 3 bolts and tighten them "finger tight".
- Insert 4 bolts through the side flanges of the braces and the square tubing.
- Add lock washers and hex bolts to each of the 4 bolts and tighten them finger tight.
- Repeat steps A, through G above for the last upright, on the opposite side of the cross tubing.
- Torque all of the nuts to 250 inch pounds / 21 foot pounds.

5. Add Eyebolts

- The eyebolts can be placed in several different locations according to the installation. It is strongly recommended that for each of the front uprights one eyebolt is located on the top and one on the bottom to stabilize the speaker system. See Figure 11.
- Two secondary safety cables must be connected directly to the eyebolts of the speaker and in such a manner that the speaker cannot fall more than 6 inches.

Figure 11
