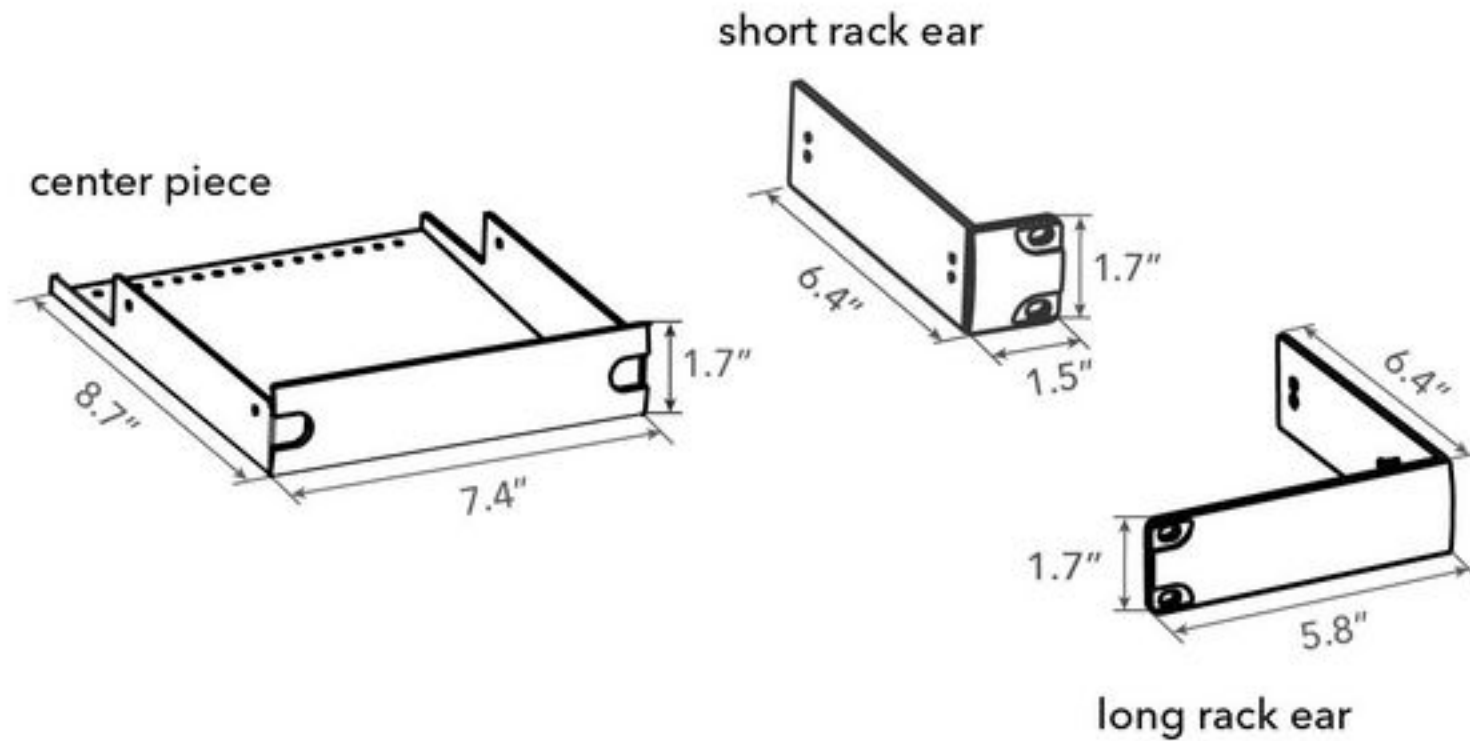


### Rack Mount a Single Device

Mount one QR1 (or XIO-8) frame.

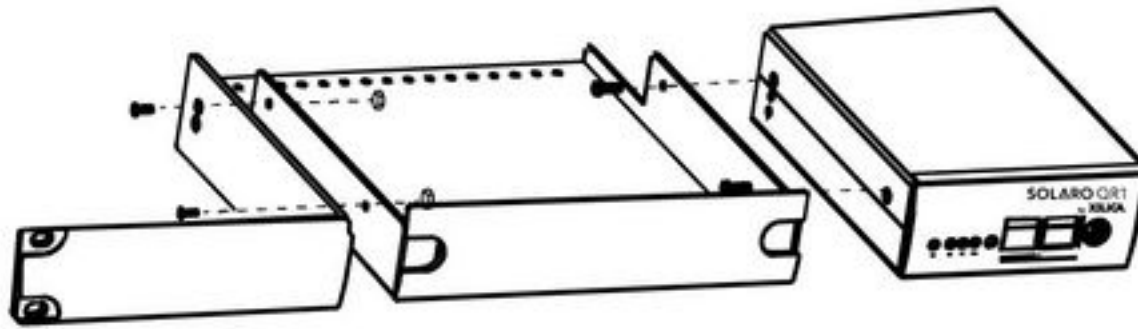
#### What You'll Need:

- . 1 x center piece
- . 1 x short side plate
- . 1 x long side plate
- . 6 x small screws
- . 2 x screw nuts
- . 4 x rack mount screws with washers
- . Phillips screw driver (not included)

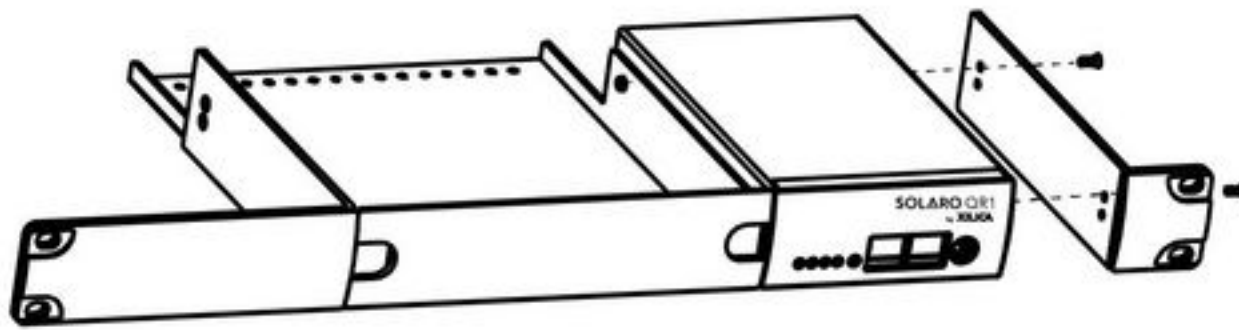


#### Instructions:

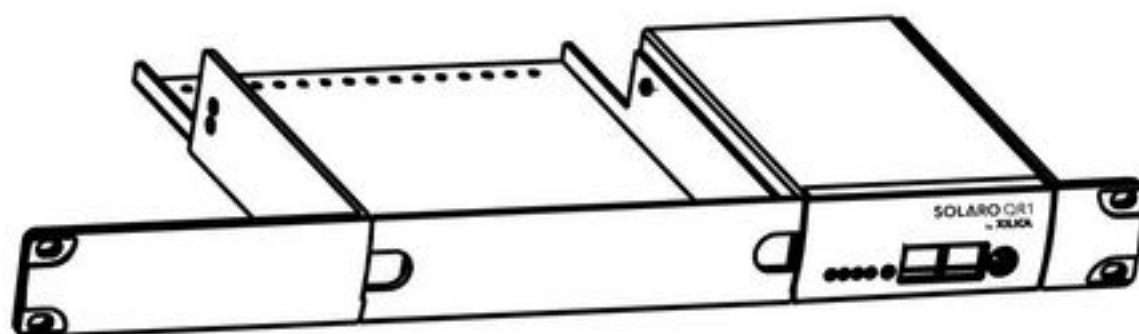
1. Line up and connect the device to the center piece.
2. Then connect the long side plate to the other side of the center piece. Secure the plate using the 2 x nuts.



3. Connect the short side plate to the end of the Solaro device.



4. Once assembled and secured, rack mount it using the provided mounting screws and washers. You can use the center piece to store power supplies and cables. The holes in the centre piece are for cable ties.

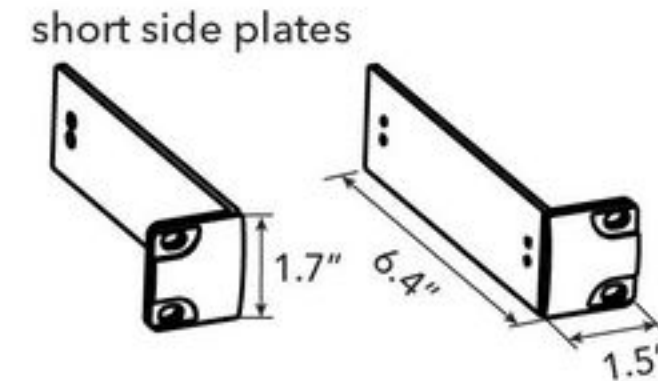
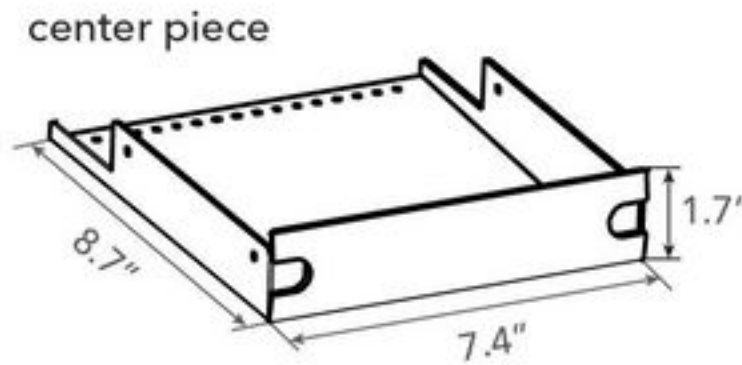


### Rack Mount Multiple Devices

Mount two QR1 (or XIO8) frames side-by-side.

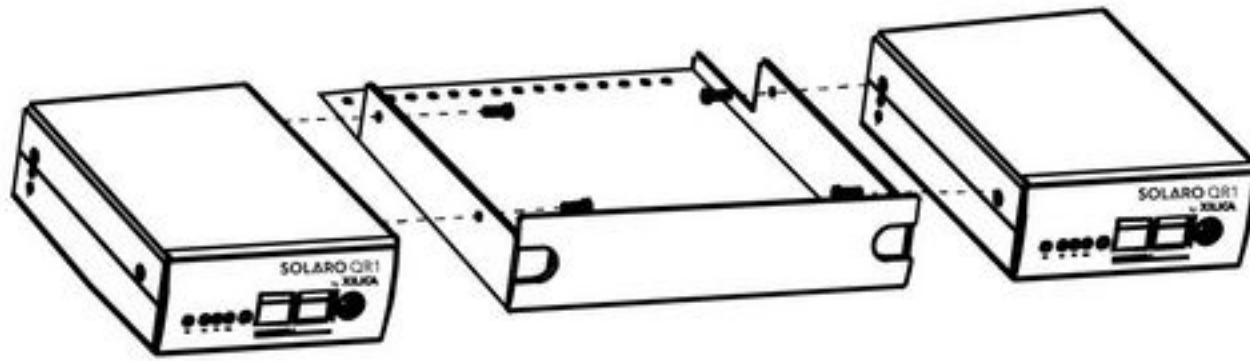
#### What You'll Need:

- . 1 x center piece
- . 2 x short side plates
- . 8 x small screws
- . 4 x rack mount screws with washers
- . Phillips screw driver (not included)

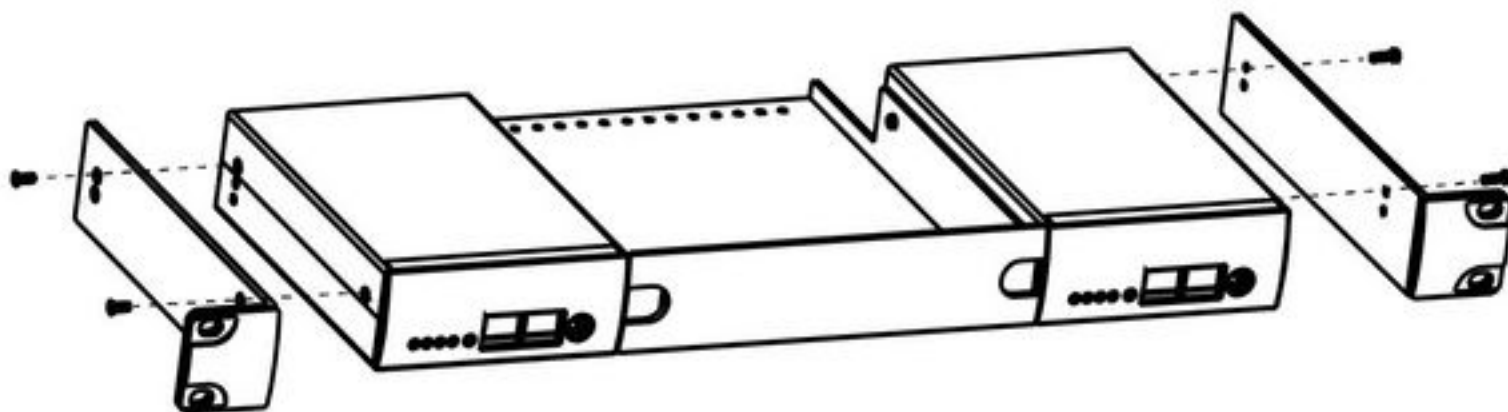


#### Instructions:

1. Line up and connect the devices to each side of the center piece.



2. Connect the short side plates, one on each side of the rack.



3. Once assembled and secured, rack mount it using the provided mounting screws and washers. You can use the center piece to store power supplies and cables. The holes in the centre piece are for cable ties.

