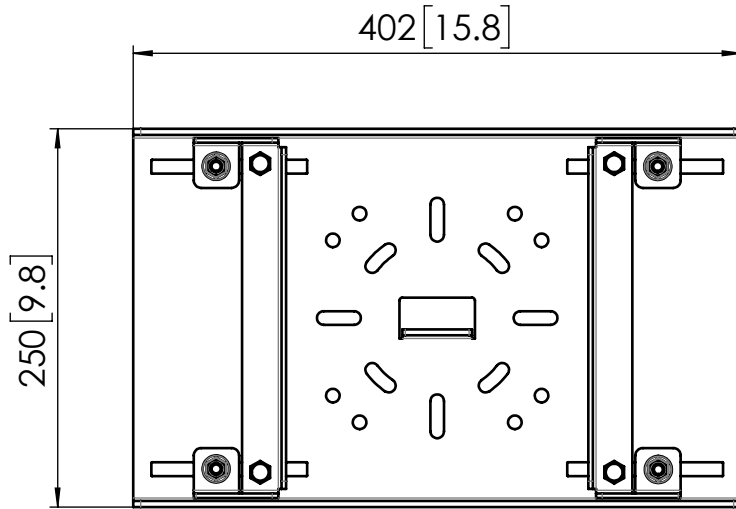


# Product data sheet

## PUA 9516



Dimensions in mm [inch]

Max weight:  
 Back to back = 2 x 80 kg / 176.4 lbs  
 Single sided = 1 x 80 kg / 176.4 lbs

### Mounting kit

4x DIN125-1A PLAIN WASHER M8 x 16 x 1,6  
 4x DIN933 HEXAGON HEAD BOLT M8 x 20  
 4x DIN933 HEXAGON HEAD BOLT M8 x 30  
 8x HEX FLANGE NUT WITH SERRATION M8  
 4x DIN603 CARRIAGEBOLT M8 x 20

### Fits:

PUC 1011  
 PUC 1035  
 PUC 1045  
 PUC 1060  
 PUC 1065  
 PUC 1070  
 PUC 1080

