

PTS 1229 TabLock for Samsung Galaxy Tab A 10.1 (2018)

Article number (SKU)
Colour

7495384
Silver

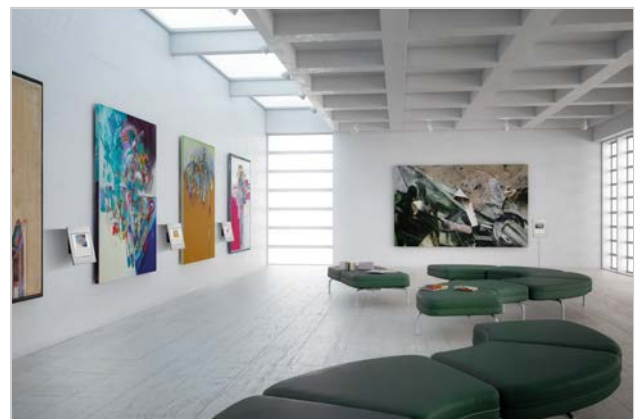
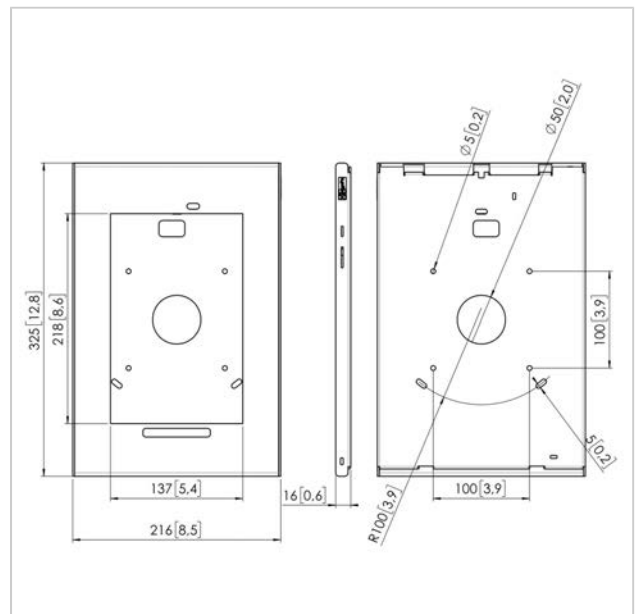


Key Benefits

- Stylish high-end design
- Theft prevention

More and more tablet PC's like the Samsung Galaxy Tab A are used for public applications in retail shops, museums, showrooms and exhibitions. Vogel's Professional has developed a secure enclosure for the Samsung Galaxy Tab A called TabLock. TabLock prevents theft and unauthorized operation of the tablet.

Made out of high quality aluminium and steel we designed a stylish and slim enclosure which protects the Samsung Galaxy Tab A in public environments. The Secure TabLock can be mounted directly to the wall, or via de VESA 100x100 mm mounting holes to any Vogel's VESA compatible mounts. Quick and easy opening of the secure TabLock enclosure is possible thanks to the new unique locking mechanism using a key and lock. Vogel's Professional regularly develops new Tablocks, please check our website for the latest information.





PTS 1229 TabLock for Samsung Galaxy Tab A 10.1 (2018)

www.vogels.com

VOGEL'S HOLDING BV 2019 (c) All rights reserved.
Subject to printing errors, technical and price amendments.
Date:2019-07-26

Specifications

Product type number	PTS 1229
Article number (SKU)	7495384
Colour	Silver
EAN single box	8712285342660
Height	325
Width	216
Depth	16
Guarantee	5 years
Desk options	Fixed table mount Fixed table stand Free-standing table stand
Lockable	True
Tablet Brand and Model(s)	Samsung Galaxy Tab A 10.1
Tablet Home button Accessible	Hidden or Accessible

