

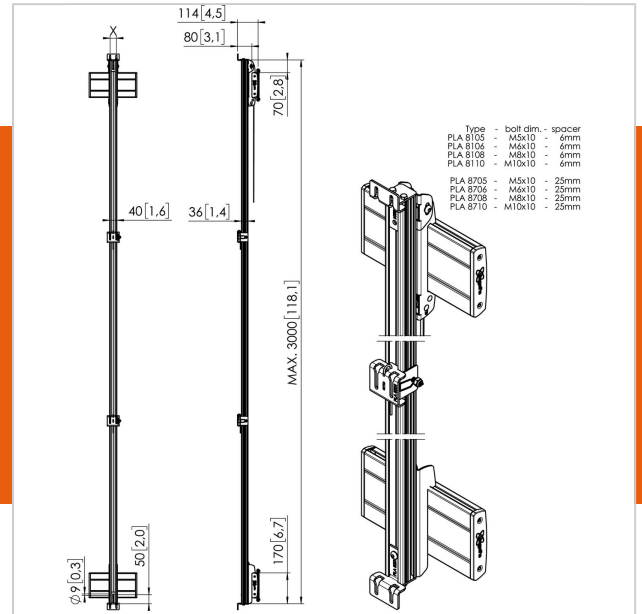


# PLA 8105 LED mounting bolts m5, 4pcs

Article number (SKU)  
Colour

7181054  
Stainless Steel

The PLA 8105 LED mounting bolts in size m5, will be supplied per 4 pcs and can be used in order to install the LED tiles on the LED interfaces (PLA 82xx and PLA 83xx). On the bottom row of the video wall you will need 4 bolts per LED tile. On each rows above you will need 2 bolts per LED tile.



## PLA 8105 LED mounting bolts m5, 4pcs

[www.vogels.com](http://www.vogels.com)

VOGEL'S HOLDING BV 2019 (c) All rights reserved.  
Subject to printing errors, technical and price amendments.  
Date: 2019-05-15

## Specifications

Product type number	PLA 8105
Article number (SKU)	7181054
Colour	Stainless Steel
EAN single box	8712285338984
TÜV certified	Yes
Guarantee	5 years

