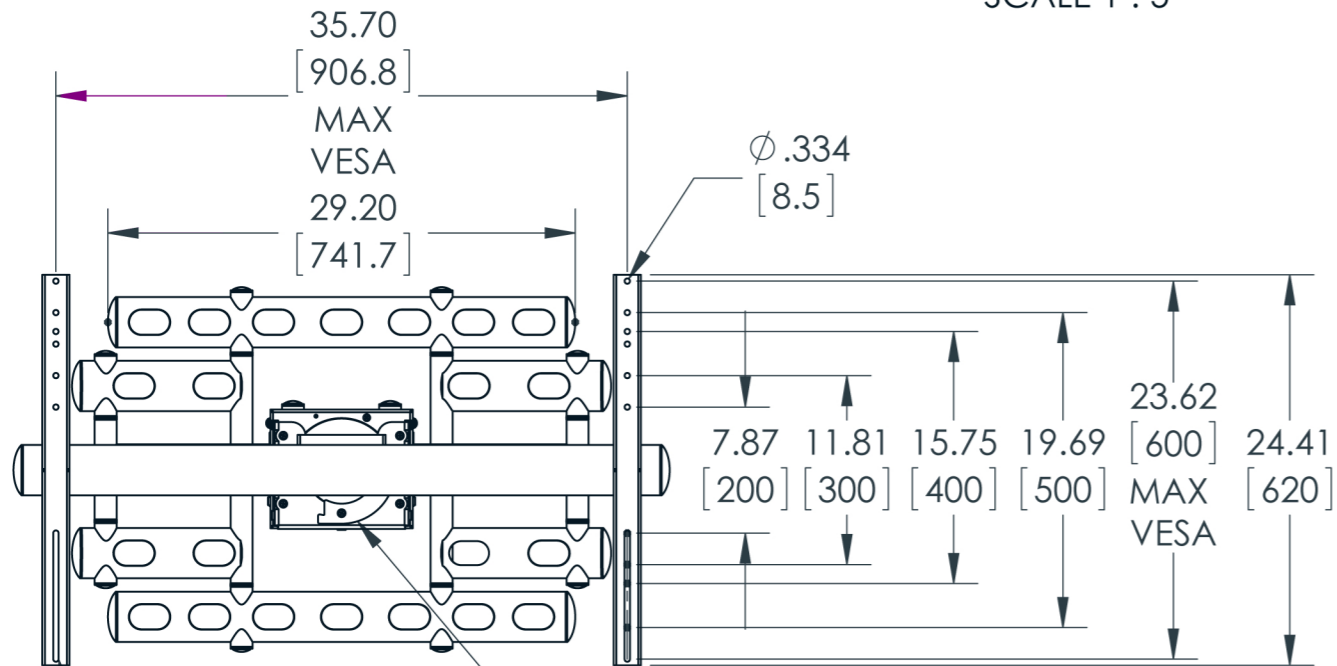
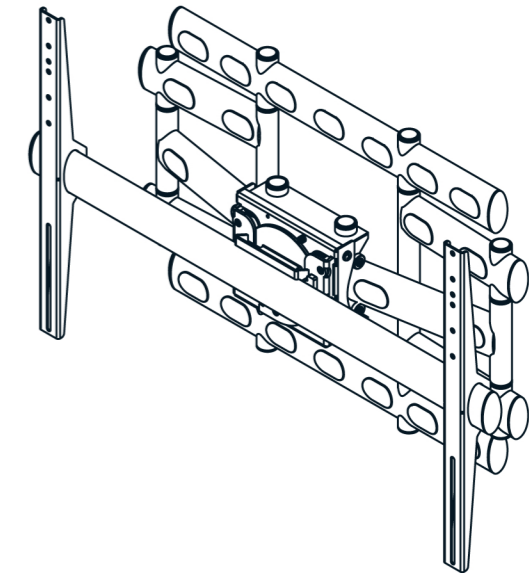


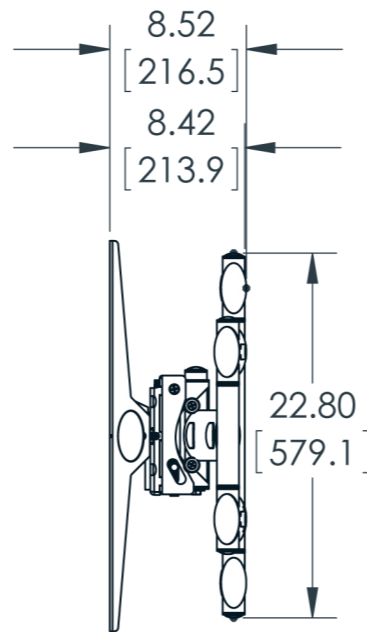
DETAIL A
SCALE 1 : 5



MIN VESA 300X200
MAX VESA 900X600

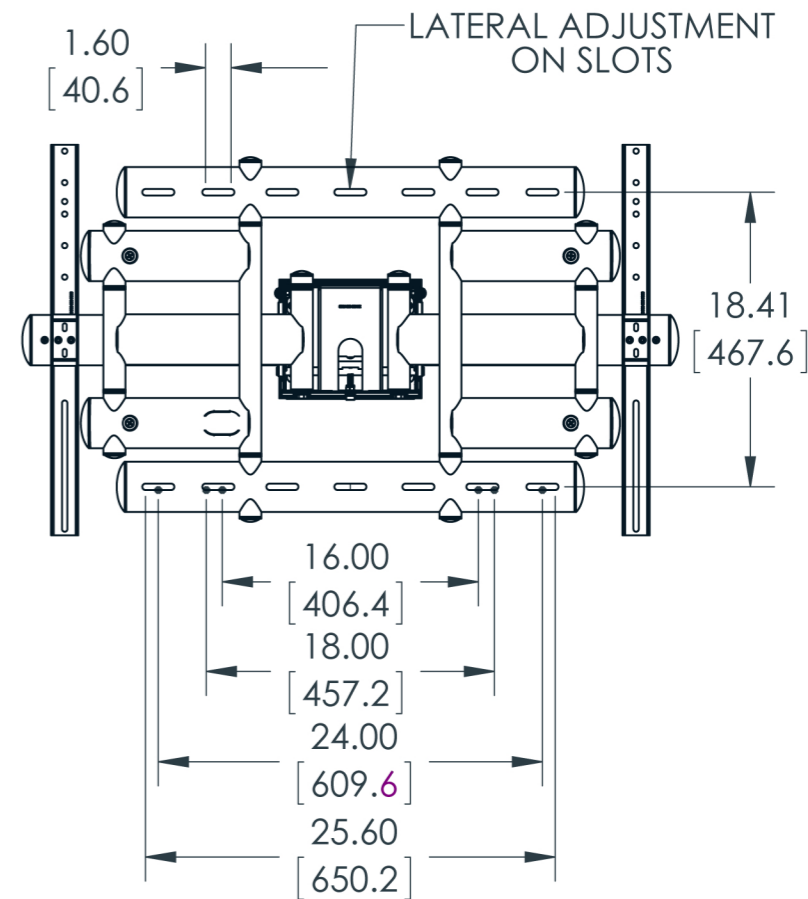
90 DEGREE DIRECTIONAL
ROTATION
ADAPTER STOPPER

LATERAL ADJUSTMENT
VIA MOUNTING BRACKETS



24.52
[622.9]
FULLY EXTENDED

TILT ADJUSTMENT
OF +/- 4°



LATERAL ADJUSTMENT
ON SLOTS

- 16.00 [406.4]
- 18.00 [457.2]
- 24.00 [609.6]
- 25.60 [650.2]

WEIGHT CAPACITY: 500 LBS
DIMENSION ARE IN INCH AND [MM]

ITEM DESCRIPTION:	
SIZE B	DWG. NO.
SCALE: 1:12	
SHEET 1 OF 2	