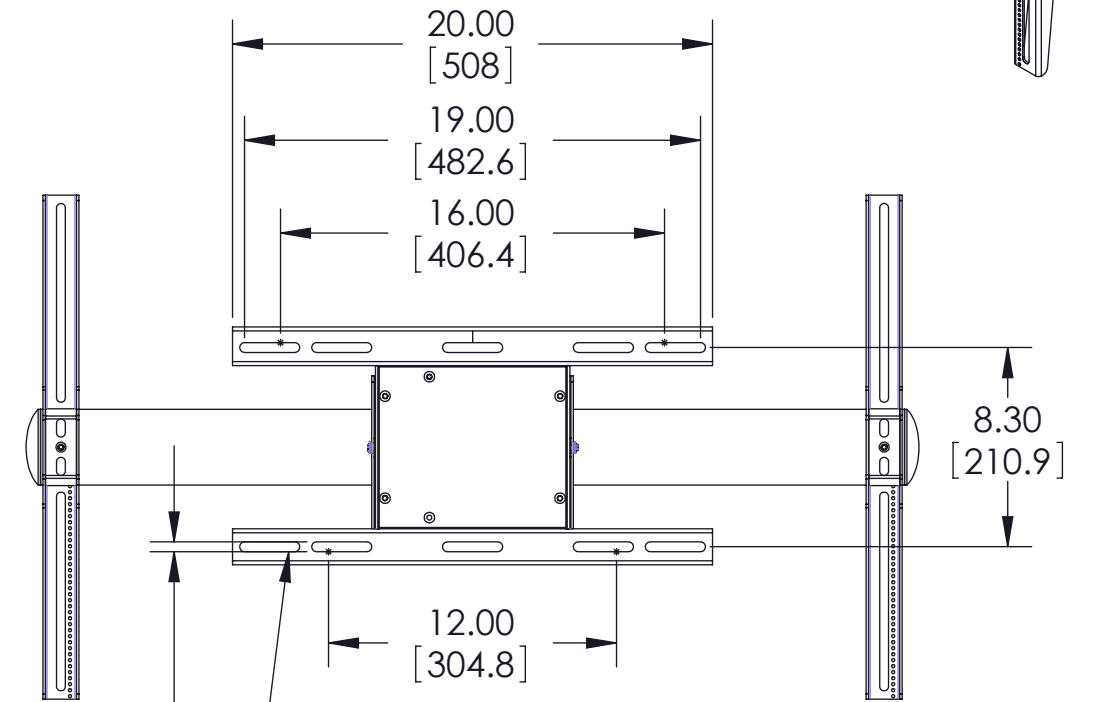
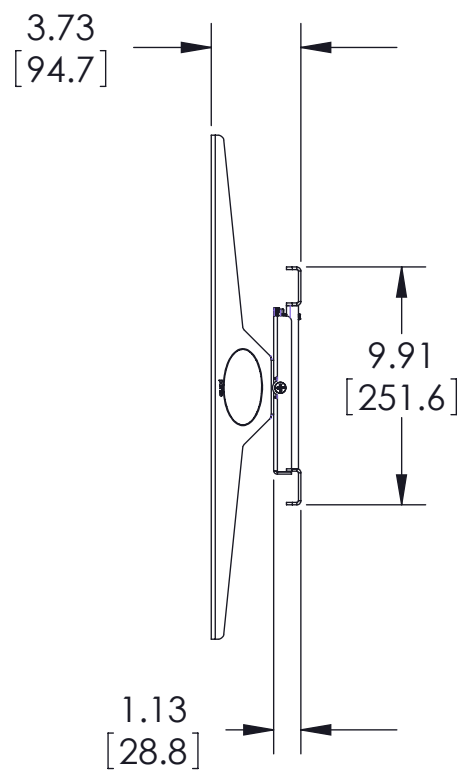
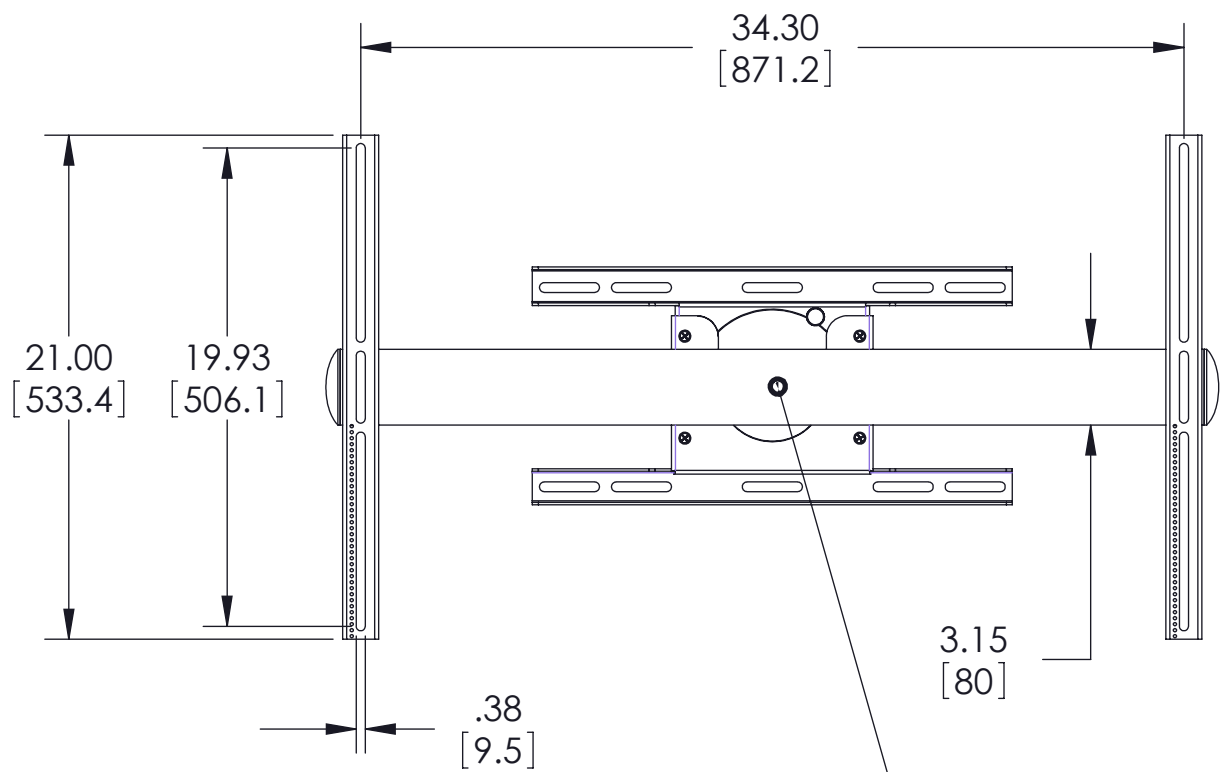
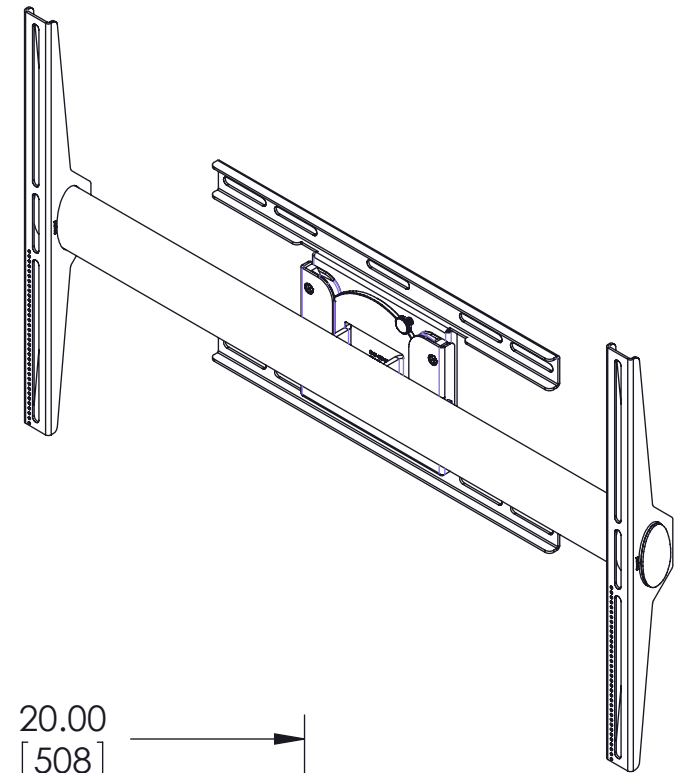
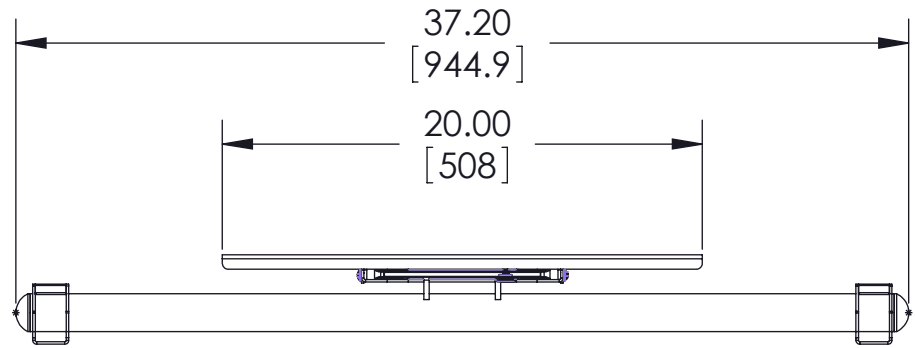


THE INFORMATION CONTAINED IN THIS DRAWING IS THE SOLE PROPERTY OF VOGEL'S PRODUCTS ANY REPRODUCTION IN PART OR WHOLE WITHOUT THE WRITTEN PERMISSION OF VOGEL'S PRODUCTS IS PROHIBITED.



ITEM DESCRIPTION: **PFW 6854**

SIZE: B DWG. NO.