

# PFW 6410 Display wall mount tilt

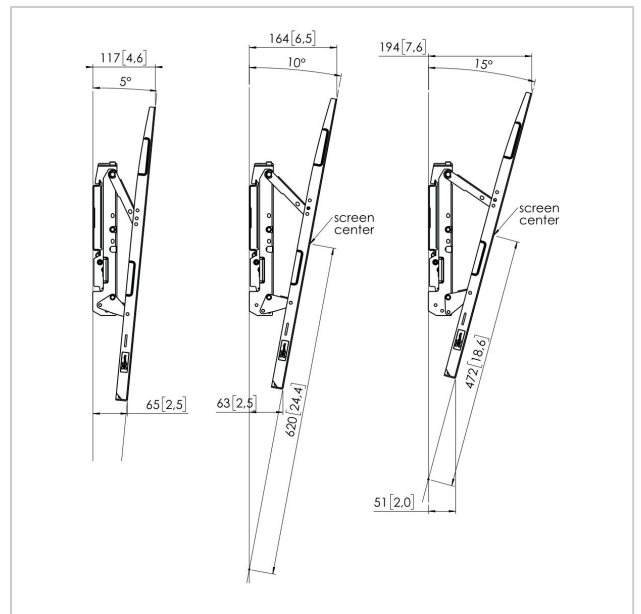
Article number (SKU) 7364100  
 Colour Black

## Key Benefits

- Easy levelling and installation
- For the heaviest displays
- Post-installation levelling
- Self-centering display bolts

The PFW 6410 is a sturdy and at the same time elegant tilt wall mount. It features an aesthetically integrated lock on top of the ability to tilt up to 15°. The mount can hold displays from 46 to 65 inch, weighing up to 75 kg

Vogel's Professional products are designed for quick and easy installation. All 6000-series products are TÜV5 certified. Offering maximum safety in any public space or hotel environment.





## PFW 6410 Display wall mount tilt

[www.vogels.com](http://www.vogels.com)

VOGEL'S HOLDING BV 2019 (c) All rights reserved.  
Subject to printing errors, technical and price amendments.  
Date: 2019-06-17

### Specifications

Product type number	PFW 6410	Orientation	Landscape
Article number (SKU)	7364100	Service position	Yes
Colour	Black	Universal or fixed hole pattern	Universal
EAN single box	8712285334146		
TÜV certified	Yes		
Tilt	Tilt up to 15°		
Guarantee	5 years		
Max. weight load (kg)	75		
Min. hole pattern	75mm x 75mm		
Max. hole pattern	400mm x 400mm		
Max. bolt size	M8		
Max. height of interface (mm)	552		
Max. width of interface (mm)	550		
Fischer inside	Yes		
Levelling function	Post-installation horizontal levelling		
Lock options	Lock included / integrated		
Max. horizontal hole pattern (mm)	400		
Max. screen size (inch)	65		
Max. vertical hole pattern (mm)	400		
Min. distance to the wall (mm)	52		
Min. horizontal hole pattern (mm)	75		
Min. screen size (inch)	46		
Min. vertical hole pattern (mm)	75		

