

PFTE 7121 Touch table motorized cabinet

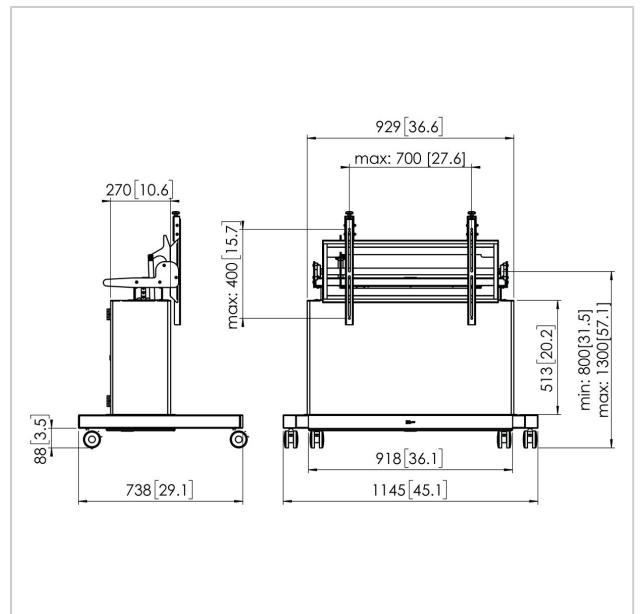
Article number (SKU) 7371214
 Colour Silver

Key Benefits

- Adjustable in height up to 50 cm
- Ample storage space for AV equipment
- Solid construction
- Suitable for heavy displays

The Vogel's touch table supports interactivity in every context at every angle. Whether it is a museum, trade fair or an university, the touch table allows you to show your content at its best.

Vogel's' touch table is designed to be used by multiple people at the same time. When you use the standup position, the touch table is perfect for presentations. When the display is completely flat, you have an immersive surface to draw and interact with its content. Thanks to its lift and tilt actuators there will always be an ergonomic and comfortable position to interact with it. The table features a cabinet with ample space for a PC and is lockable so you are can be sure your electronics are safe. The Vogel's touch table supports interactivity in every context at every angle.





PFTE 7121 Touch table motorized cabinet

www.vogels.com

VOGEL'S HOLDING BV 2019 (c) All rights reserved.
Subject to printing errors, technical and price amendments.
Date:2020-03-20

Specifications

Product type number	PFTE 7121
Article number (SKU)	7371214
Colour	Silver
EAN single box	8712285337161
Guarantee	5 years
Min. screen size (inch)	50
Max. screen size (inch)	86
Max. weight load (kg)	160
Max. distance to floor - center display (mm)	1300
Max. horizontal hole pattern (mm)	700
Max. vertical hole pattern (mm)	400
Min. distance to floor - center display (mm)	800
Min. horizontal hole pattern (mm)	100
Min. vertical hole pattern (mm)	100
Motorized	True
Remote controlled	Yes
Travel	500

