

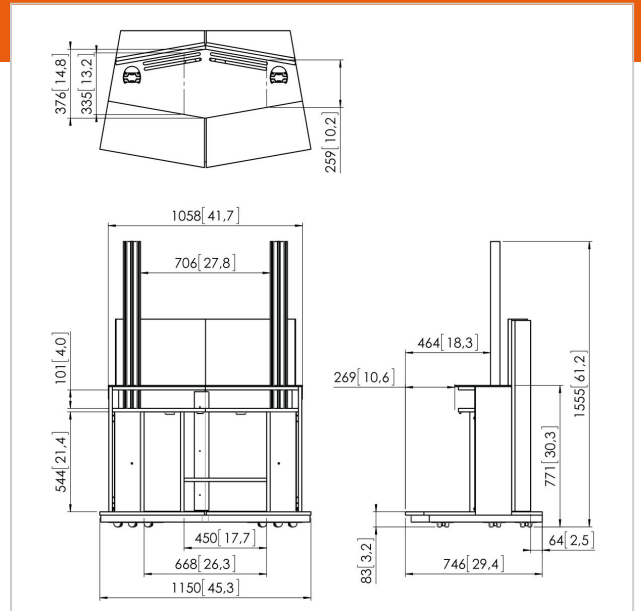
PFF 5211 Video conferencing furniture

Article number (SKU)
Colour

7321524
Silver

PFF 5211 is a stylish video conference furniture especially designed for the use of larger displays. It is suitable for single displays of 55" till 90" or dual displays 2x46" till 2x 65". The furniture has wheels for easy maneuverability. The cabinet has ample space for codec's, switchers and other electronic equipment. Access to the inside is made easy with 2 doors at the front and as well as 2 doors at the back. The furniture has an integrated loudspeaker compartment for an optional loudspeaker. This can be the Vogel's PFA 9111 or any other speaker that fits in the available space.

Perfect for the modern techniques of video conferencing, this unit's design incorporated a great deal of attention to detail. That is what this furniture distincts from all existing, individual solutions. The Vogel's video conference unit provides stylish integration of video conference equipment in almost all environments. The integrated wheels make that the unit is easy to move.



PFF 5211 Video conferencing furniture

www.vogels.com



VOGEL'S HOLDING BV 2019 (c) All rights reserved.
Subject to printing errors, technical and price amendments.
Date:2019-12-19

Specifications

Product type number	PFF 5211
Article number (SKU)	7321524
Colour	Silver
EAN single box	8712285326844
Height	1555
Depth	770
TÜV certified	Yes
Guarantee	5 years
Max. weight load (kg)	80
Internal depth (mm)	746
Internal height (mm)	1555
Internal width (mm)	1150
Max. screen size (inch)	90
Min. screen size (inch)	23

