

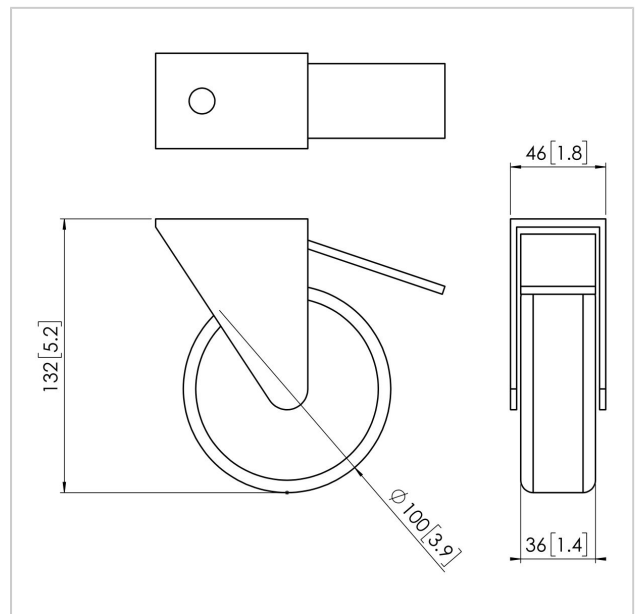
PFA 9114 Wheels heavy duty

Article number (SKU)
Colour

7291144
Silver

Set of 4 large heavy duty swivel castor. These castors can be used to replace the standard wheels on the PFT85xx trolley frames, PFT2520 trolley and all Vogel's height adjustable motorized trolleys.

The wheels have grey rubber tyres and steel bearings for better manoeuvrability on uneven surfaces.





PFA 9114 Wheels heavy duty

www.vogels.com

VOGEL'S HOLDING BV 2019 (c) All rights reserved.
Subject to printing errors, technical and price amendments.
Date:2020-03-18

Specifications

| | |
|-----------------------|---------------|
| Product type number | PFA 9114 |
| Article number (SKU) | 7291144 |
| Colour | Silver |
| EAN single box | 8712285324062 |
| Guarantee | 5 years |
| Max. weight load (kg) | 160 |