

# Monitor arms

## System 'Oslo'



### MONITOR ARM OSLO – FLEXIBLE AND STEADY

A very affordable monitor arm that has become popular for its clean and elegant design. Slim table bracket for mounting in tabletop. It can be supplemented with monitor bar for two monitors, due to the stable design.



( LC15 + LB27 = LC27 )



- 438-LC15W □ MONITOR ARM OSLO, WHITE  
 438-LC15 ■ MONITOR ARM OSLO, SILVER  
 438-LC15B ■ MONITOR ARM OSLO, BLACK  
 ARM LENGTH: 500 MM. TABLE BRACKET 25 MM.  
 MAX LOAD: 14 KG

- 438-LC27W □ MONITOR ARM OSLO SYSTEM 2, WHITE  
 438-LC27 ■ MONITOR ARM OSLO SYSTEM 2, SILVER  
 438-LC27B ■ MONITOR ARM OSLO SYSTEM 2, BLACK  
 ARM LENGTH: 500 MM. TABLE BRACKET 25 MM.  
 MAX LOAD: 2 X 14 KG

- 438-LC29W □ MONITOR ARM OSLO SYSTEM 4, WHITE  
 438-LC29 ■ MONITOR ARM OSLO SYSTEM 4, SILVER  
 438-LC29B ■ MONITOR ARM OSLO SYSTEM 4, BLACK  
 ARM LENGTH: 500 MM, MAX LOAD: 4 X 9 KG

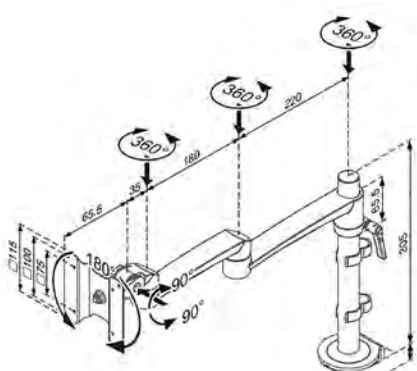


- 438-LC65 MONITOR ARM OSLO WITH WALL BRACKET, SILVER  
 ARM LENGTH: 546 MM

### ACCESSORIES

- 438-501W □ TABLE POLE, 400 MM, WHITE  
 438-501A ■ TABLE POLE, 400 MM, SILVER  
 438-501B ■ TABLE POLE, 400 MM, BLACK  
 438-501700W □ TABLE POLE, 700 MM, WHITE  
 438-501700A ■ TABLE POLE, 700 MM, SILVER  
 438-501700B ■ TABLE POLE, 700 MM, BLACK

- 438-LB15W □ MONITOR BAR OSLO SERIES, WHITE  
 438-LB15 ■ MONITOR BAR OSLO SERIES, SILVER  
 438-LB15B ■ MONITOR BAR OSLO SERIES, BLACK  
 MAX C/C 750 MM



ONLY FOR USE WITH TABLE POLE (501XXX)

- 438-502W □ GROMMET MOUNTING KIT, WHITE  
 438-502A ■ GROMMET MOUNTING KIT, SILVER  
 438-502B ■ GROMMET MOUNTING KIT, BLACK  
 438-601 ■ TABLE CLAMP 10-85 MM, SILVER

- 438-LB27W □ EXTRA MONITOR ARM, WHITE  
 438-LB27 ■ EXTRA MONITOR ARM, SILVER  
 438-LB27B ■ EXTRA MONITOR ARM, BLACK